

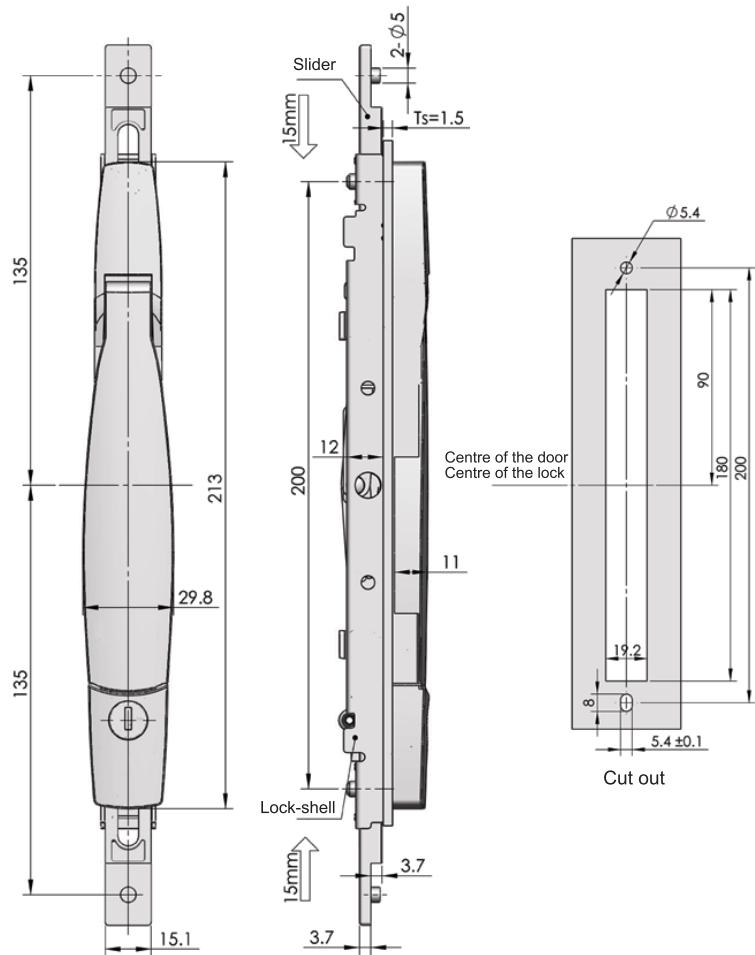
- Accessories
- Electronic lock
- Handle lock
- Cylinder lock
- Plane lock
- Rod control lock
- Panel lock
- Toggle and hook
- Handles
- Door stop
- Hinge
- Seal gasket

MS855-3



Main material and finish: Black ABS handle, housing, white zinc-plated ZDC slider, white zinc-plated support  
 Remark: Default Key K400

Performance parameter:  
 Handle load tension capability:  $\phi 150N$



ERP MS855Z1B400001