


Accessories

Electronic lock

Handle lock

MS714-3



RL IP54

Main material and finish : Pocked black powder coated ZDC housing and handle, white zinc-plated steel cam

Application : Handle 90 degree quarter-turn opening or closing

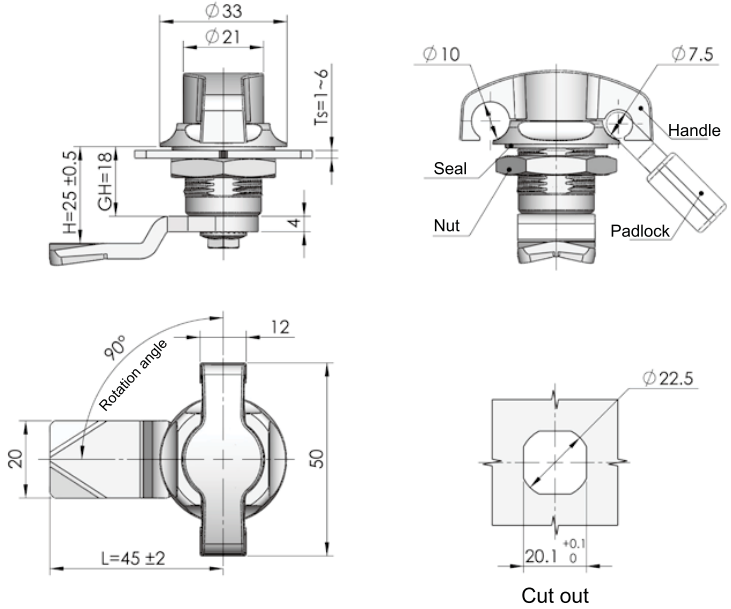
Default cam : S1B45Y07005

Performance parameter:
 Maximum static load: 250N
 Recommended nut tightening torque: 20N.m
 Maximum input torque: 18N.m

Cylinder lock

Plane lock

Rod control lock



ERP MS714Z1B000007

Remark: Default cam S1B4507, T=4 (cut out 8x8)

Panel lock

Toggle and hook


Handles

Door stop

Hinge

Seal gasket

MS714-4



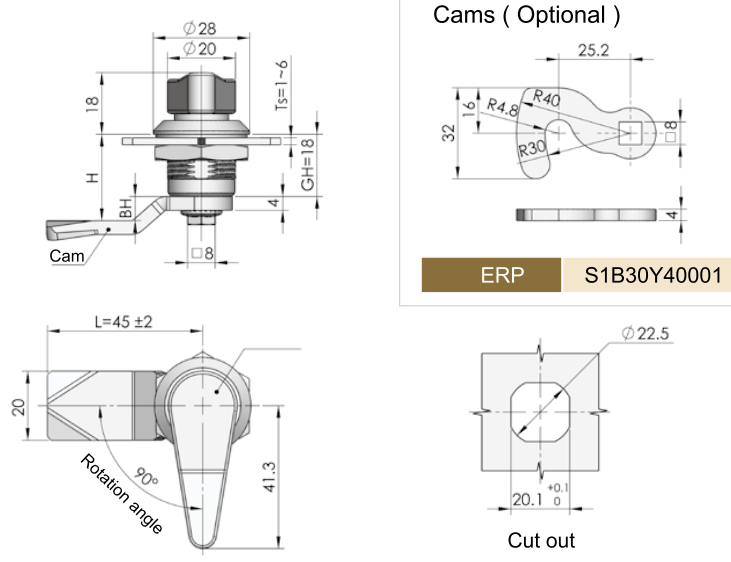
RL IP54

Main material and finish : Pocked black powder coated ZDC housing, PA handle, white zinc-plated steel cam

Application : Handle 90 degree quarter-turn opening or closing

Default cam : S1B45Y07005

Performance parameter:
 Maximum static load: 250N
 Recommended nut tightening torque: 20N.m
 Maximum input torque: 18N.m



Specifcation	ZDC housing, PA handle		PA housing and handle	
	Model	ERP	Model	ERP
GH = 18	MS714-4-1	MS714Z1A000061	MS714-4A-1	MS714N00000009
GH = 28	MS714-4-2	MS714Z1A000013	MS714-4A-2	MS714N00000010
GH = 36	MS714-4-3	MS714Z1A000014	MS714-4A-3	MS714N00000011
GH = 62	MS714-4-4	MS714Z1A000015	MS714-4A-4	MS714N00000012

Remark : Default cam S1B4507, T=4 (cut out 8x8)