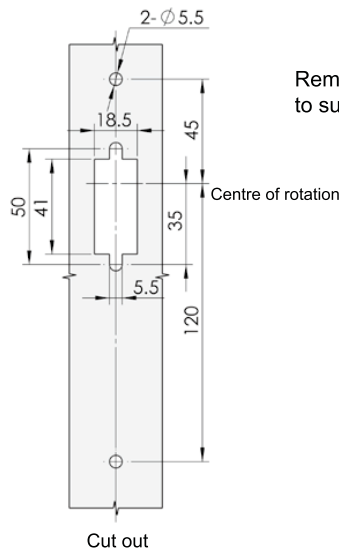


Remark: Change rod and cam position to suit RH or LH application

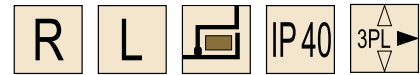


ERP

MS829Z1E060001

Remark: Default cam S1A3405

MS829



Main material and finish: Yellow gray powder coated ZDC housing, black powder coated ZDC handle and button, white zinc plated steel cam and rod latch

Application: Handle quarter-turn combines with rod latch system to open or close

Remark: Default key K060

Performance parameter:

Handle load tension capability:  $\phi 240N$

Handle load torque capability:  $\phi 20N.m$

Accessories

Electronic lock

Handle lock

Cylinder lock

Plane lock

**Rod control lock**

Panel lock

Toggle and hook

Handles

Door stop

Hinge

Seal gasket