

Specif cation	Model	ERP
Handles	MS705-K01	MS705Z1F000015
Double bit	MS705-K02	MS705Z1FT01001

Remark: Default cam DS1B32N04, T=4

MS705-K



RL IP54

Main material and finish : Green powder coated ZDC handle, housing and insert, white zinc-plated steel cam  
 Application: Quarter-turn opening or closing  
 Remark : Optional key K15-01C

Default cam : S1B32N04002

Performance parameter:  
 Maximum static load: 210N  
 Recommended nut tightening torque: 20N.m  
 Maximum input torque: 15N.m

Accessories

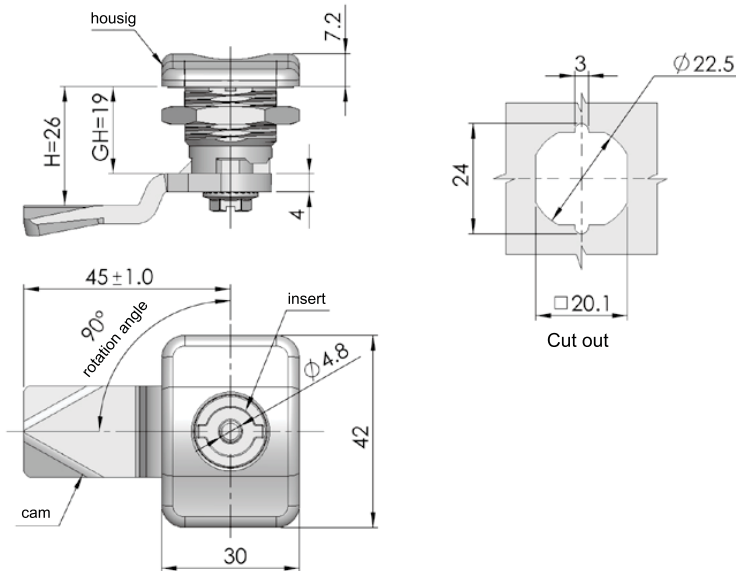
Electronic lock

Handle lock

Cylinder lock

Plane lock

Rod control lock



ERP MS705Z2AT20003

MS705-Q



RL IP54

Main material and finish : Black painted ZDC housing, Bright chrome plated insert, white zinc-plated cam and screw.  
 Remark: Default key K15-1

Performance parameter:  
 Maximum static load: 270N  
 Recommended nut tightening torque :20N.m  
 Maximum input torque: 9N.m

Panel lock

Toggle and hook

Handles

Door stop

Hinge

Seal gasket