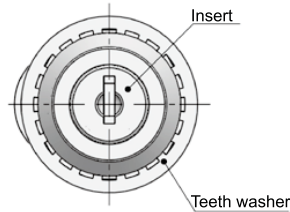
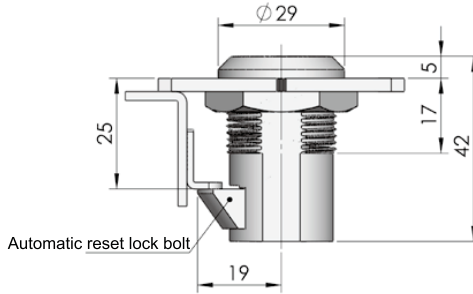


MS825

Cylinder lock

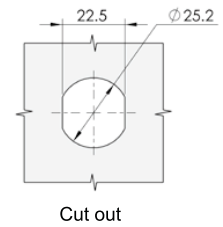
Main material and finish: Bright chrome-plated ZDC housing, insert and lock bolt, white zinc-plated ZDC lock bolt
 Application: Automatic reset locked
 Remark: Default key K160

Performance parameter:
 Maximum static load: 320N



ERP MS825Z3A160001

Catcher (Optional)

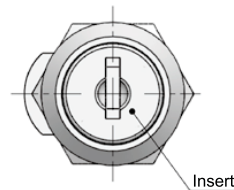
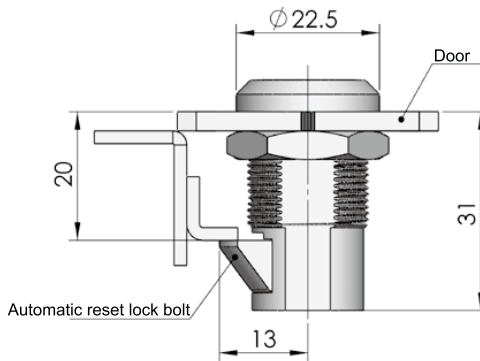


MS826

Panel lock

Main material and finish: Bright chrome-plated ZDC housing, insert and lock-tongue, white zinc-plated ZDC lock tongue
 Application: Automatic reset locked
 Remark: Default key K160

Performance parameter:
 Maximum static load: 340N



ERP MS826Z3A160001

Catcher (Optional)

