

ERP MS815Z2A170002

Remark : Default cam S1V2400

MS815-2



IP54

Main material and finish: Black painted ZDC housing and handle, white zinc plated steel cam

Application: Quarter turn opening or closing

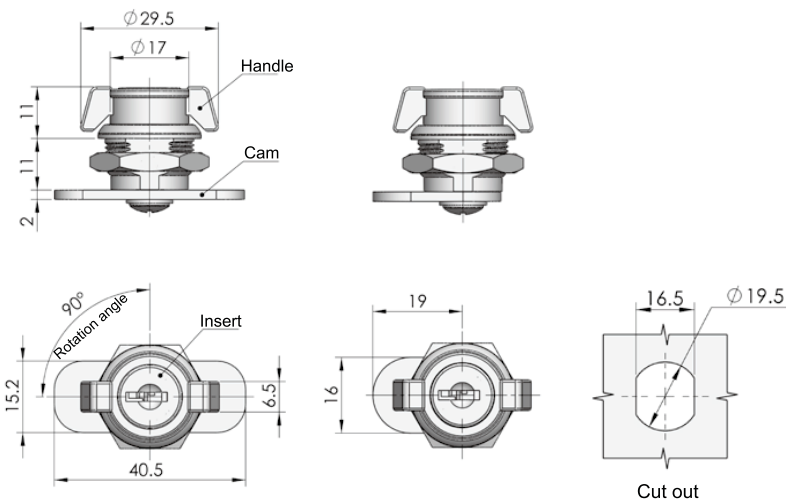
Remark: Default key K170

Default cam: S1V24Y00002

Performance parameter:

Maximum static load: 270N

Recommended nut tightening torque: 12N.m



MS815-3A(Model A)

MS815-3B(Model B)

Specification	Model	ERP	
		Painted (matt black) housing	Bright chrome-plated housing
Model A	MS815-3A	MS815Z1A170003	MS815Z3A170003
Model B	MS815-3B	MS815Z1A170004	MS815Z3A170004

Remark: Cam cut out $\varnothing 7 \times 5.5$

MS815-3



Main material and finish: ZDC housing, insert and steel cam

Application: Quarter-turn opening or closing

Remark: Default key K170

Default cam : S1W20Y00001 (Model A)
S1W19Y00001 (Model B)

Performance parameter:

Maximum static load: 250N

Recommended nut tightening torque: 20N.m

Accessories

Electronic lock

Handle lock

Cylinder lock

Plane lock

Rod control lock

Panel lock

Toggle and hook

Handles

Door stop

Hinge

Seal gasket