

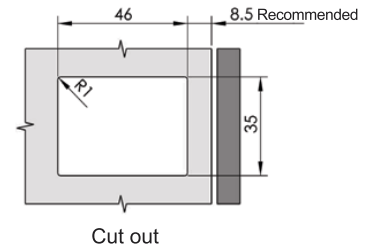
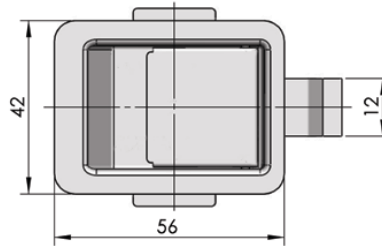
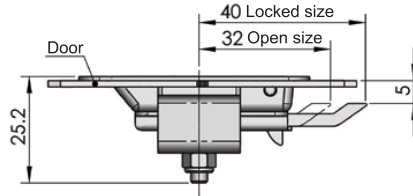
- Accessories
- Electronic lock
- Handle lock
- Cylinder lock
- Plane lock
- Rod control lock
- Panel lock**
- Toggle and hook
- Handles
- Door stop
- Hinge
- Seal gasket

**MS866-8**



Main material and finish: Wire-drawing polished stainless steel

Performance parameter:  
 Handle load tension capability:  $\phi 50N$   
 Cam loading capability:  $\phi 200N$



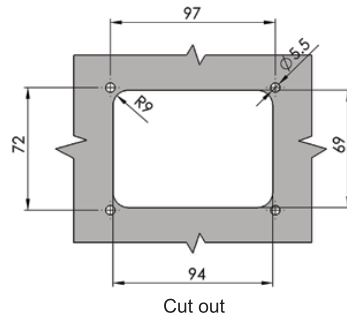
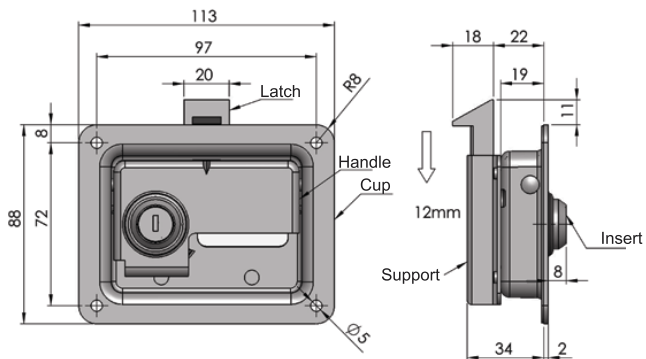
ERP	MS866S4B000001
-----	----------------

**MS866-22**



Main material and finish: Mirror polished stainless steel cup and handle (steel in nanometer painting available), white zinc plated latch and support.  
 Remark: Default key K53

Performance parameter:  
 Handle load tension capability:  $\phi 200N$   
 Cam loading capability:  $\phi 500N$



	MS866-22	MS866-22S
ERP	MS866F2B530002	MS866S4A530002