

ERP

MS802Z3A050017

Remark : Default cam S1B4502 (cut out 8x8)

MS802



Main material and finish: Bright chrome-plated ZDC housing and insert, white zinc-plated steel cam

Application: Quarter-turn opening or closing

Remark: Default key K050

Default cam : S1B45Y02001 (Ts=2)

Performance parameter:

Maximum static load: 100N

Recommended nut tightening torque: 20N.m

Accessories

Electronic lock

Handle lock

Cylinder lock

Plane lock

Rod control lock

Panel lock

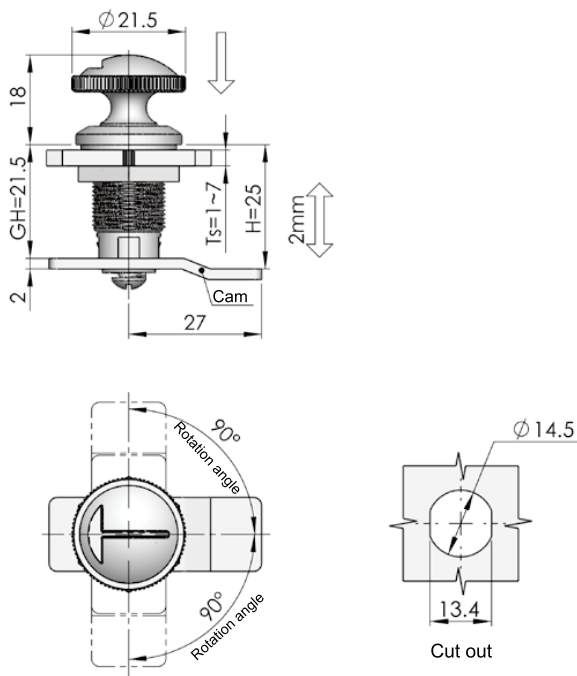
Toggle and hook

Handles

Door stop

Hinge

Seal gasket



ERP

MS803Z3A000003

Remark : Default cam S1K2702

MS803



Main material and finish: Bright chrome-plated ZDC housing and handle, white zinc-plated steel cam

Application: Quarter-turn opening or closing, with function of locking automatically

Default cam : S1K27N05001

Performance parameter:

Maximum static load: 91N

Recommended nut tightening torque: 20N.m

Maximum input torque: 4N.m