
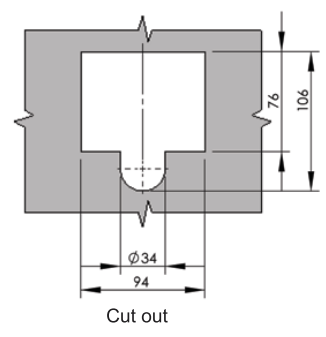
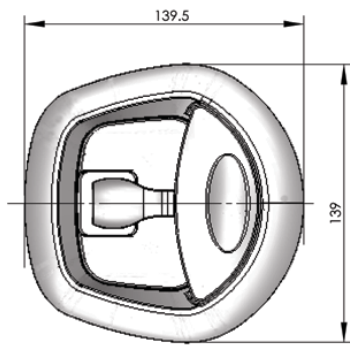
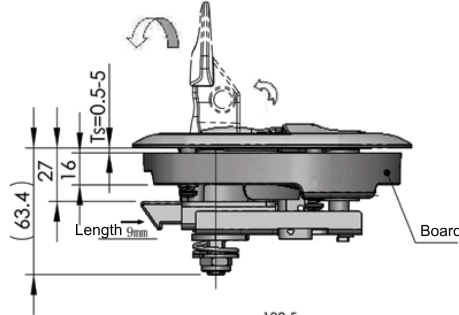


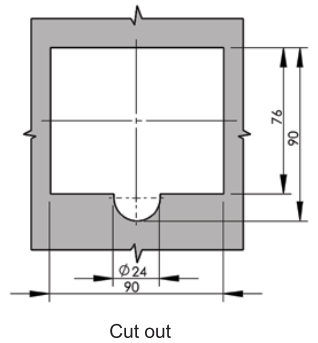
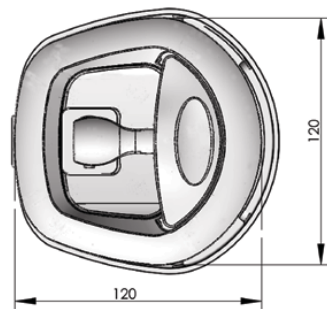
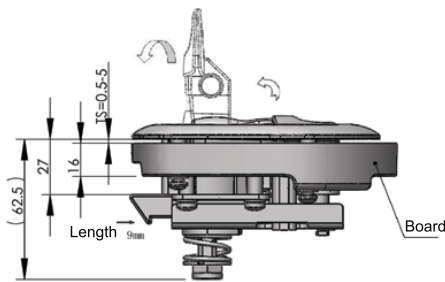
Accessories	MS982-3
Electronic lock	
Handle lock	MS982-3A
Cylinder lock	
Plane lock	IP65
Rod control lock	Material: ZDC housing and handle Finish : Bright chrome plated Structure : Pull and turn the handle 90 degree, along with the cam, Closing the door by hitting when the lock is on the close status
Panel lock	Performance parameter: MS982-3 Handle load torque capability: $\phi 31N.m$ Cam loading capability: $\phi 4000N$ MS982-3A Handle load torque capability: $\phi 39N.m$ Cam loading capability: $\phi 2000N$
Toggle and hook	
Handles	
Door stop	Application example
Hinge	
Seal gasket	

MS982-3



ERP MS982Z3A520003

MS982-3A



ERP MS982Z3A520004