

ERP MS733Z3A430009

Remark : Default cam S1B3300

MS733



RL

Main material and finish: Bright chrome-plated ZDC housing and insert, white zinc-plated steel cam

Application: Quarter-turn opening or closing

Remark: Default key K430

Default cam : S1B33Y00005

Performance parameter:

Maximum static load: 220N

Recommended nut tightening torque: 20N.m

Accessories

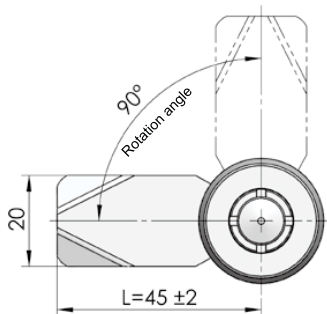
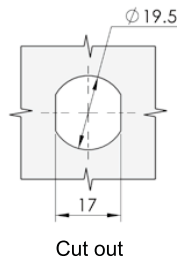
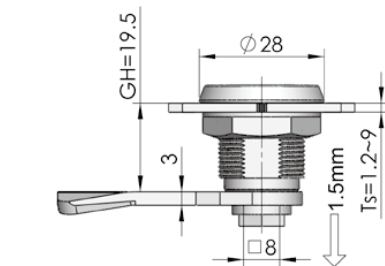
Electronic lock

Handle lock

Cylinder lock

Plane lock

Rod control lock



ERP MS734Z3AT12001

Remark : Default cam S1B4500 (cut out 8x8)

MS734



RL

Main material and finish : Bright chrome-plated ZDC housing and insert, white zinc-plated steel cam

Application : Quarter-turn opening or closing, with function of locking

Remark : Optional key K15-10

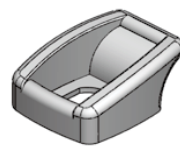
Default cam : S1B45Y00002

Performance parameter:

Maximum static load: 270N

Recommended nut tightening torque: 20N.m

Maximum input torque: 8N.m



HP002 (Optional)



HP003 (Optional)

Panel lock

Toggle and hook

Handles

Door stop

Hinge

Seal gasket