

	Black powder coated	Nanometer painted	Bright chrome plated
ERP	CL204Z1A001	CL204Z2B001	CL204Z3A001

CL204-1



Main material and finish: ZDC hinge
Application: Opening angle 180°

Performance parameter:
Maximum static load
Radial load: 980N
Axial load: 2800N

Accessories

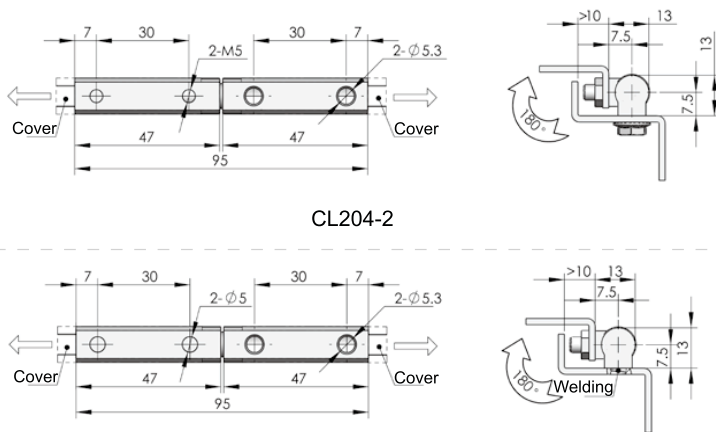
Electronic lock

Handle lock

Cylinder lock

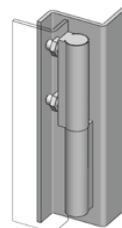
Plane lock

Rod control lock



CL204-2

CL204-3



	CL204-2 Fixed with screw	CL204-2 Welding
ERP	CL204S00001	CL204S9C001

CL204-2
CL204-3



INOX
AISI
3..

Main material and finish: Steel hinge leaf and stainless steel cover
Application: Opening angle 180°

Performance parameter:
Maximum static load
Radial load: 1800N
Axial load: 2900N

Panel lock

Toggle and hook

Handles

Door stop

Hinge

Seal gasket

Accessories

CL204-3C



Electronic lock

Handle lock



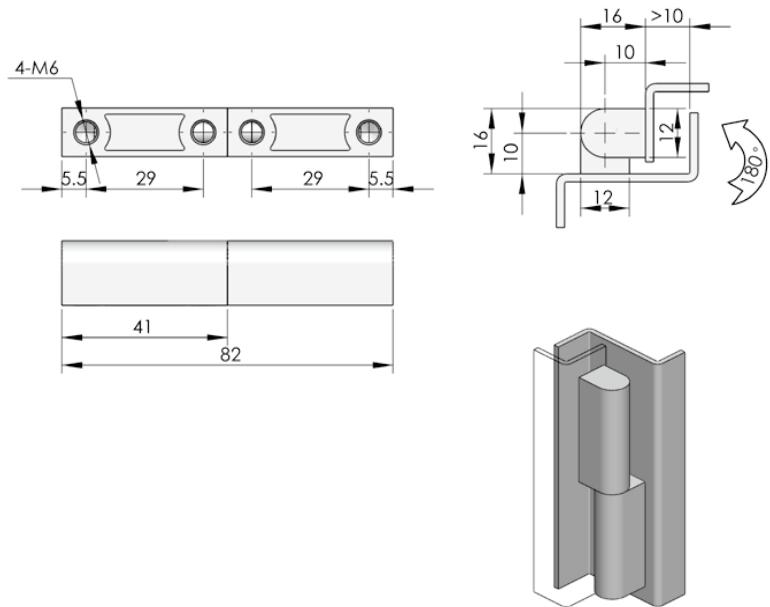
Cylinder lock

Main material and finish: Bright chrome-plated ZDC hinge
Application: Opening angle 180°

Plane lock

Performance parameter:
Maximum static load
Radial load: 1000N
Axial load: 1800N

Rod control lock



ERP CL204Z3A002

Panel lock

CL204-3D



Toggle and hook

Handles



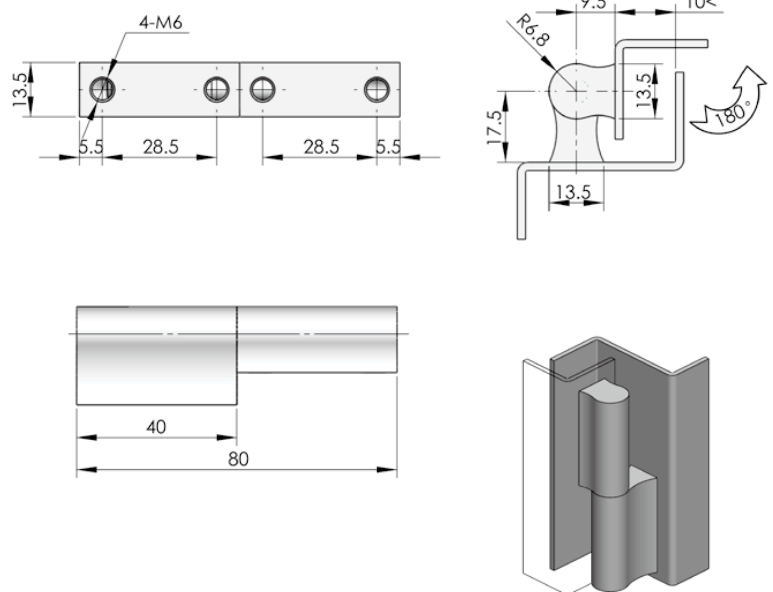
Door stop

Main material and finish: Bright chrome-plated ZDC hinge
Application: Opening angle 180°

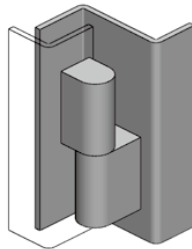
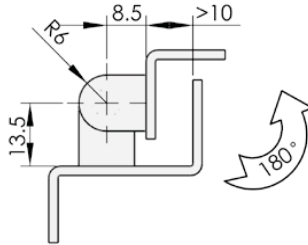
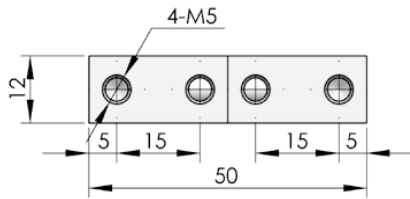
Hinge

Performance parameter:
Maximum static load
Radial load: 2150N
Axial load: 2630N

Seal gasket



ERP CL204Z3A003



ERP

CL204Z3A007

CL204-3F



Main material and finish: Bright chrome-plated ZDC hinge

Application: Opening angle 180°

Accessories

Electronic lock

Handle lock

Cylinder lock

Plane lock

Rod control lock

Panel lock

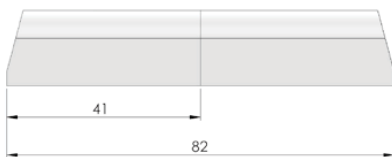
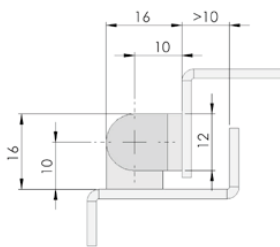
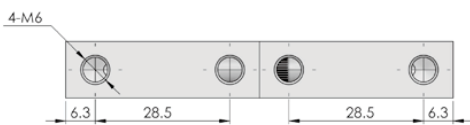
Toggle and hook

Handles

Door stop

Hinge

Seal gasket



ERP

CL204S4A013

CL204-3K



Main material and finish: Mirror polishing stainless steel hinge

Application: Opening angle 180°

Performance parameter:

Maximum static load

Radial load: 2000N

Axial load: 1530N

CL204-3S

Accessories

Electronic lock

Handle lock

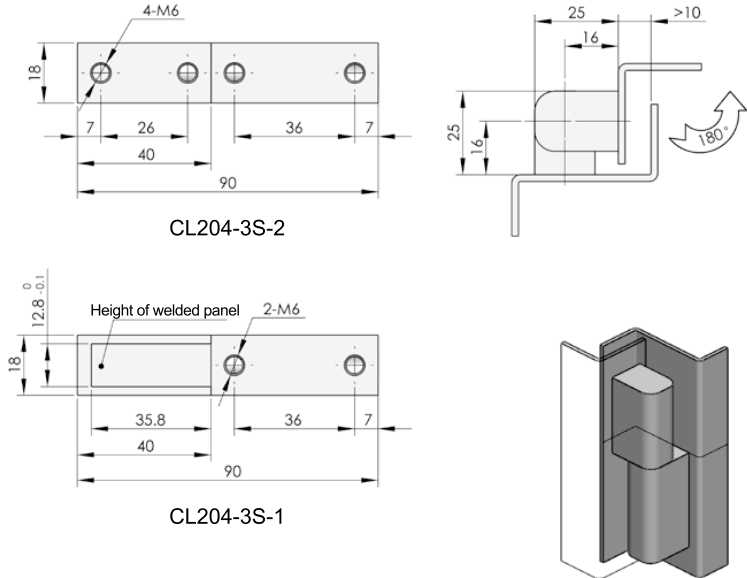
Cylinder lock

Plane lock

Rod control lock

Main material and finish: SUS304, wiredrawing polishing
 Application: Opening angle 180°

Performance parameter:
 Maximum static load
 Radial load: 1700N
 Axial load: 2200N



	CL204-3S-1	CL204-3S-2
ERP	CL204S4B002	CL204S4B003

CL204-4D

Panel lock

Toggle and hook

Handles

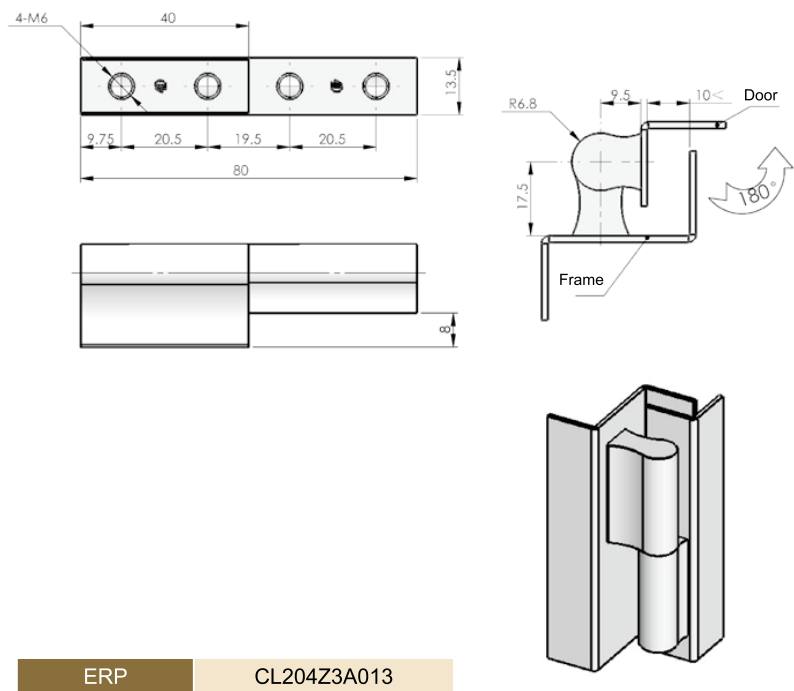
Door stop

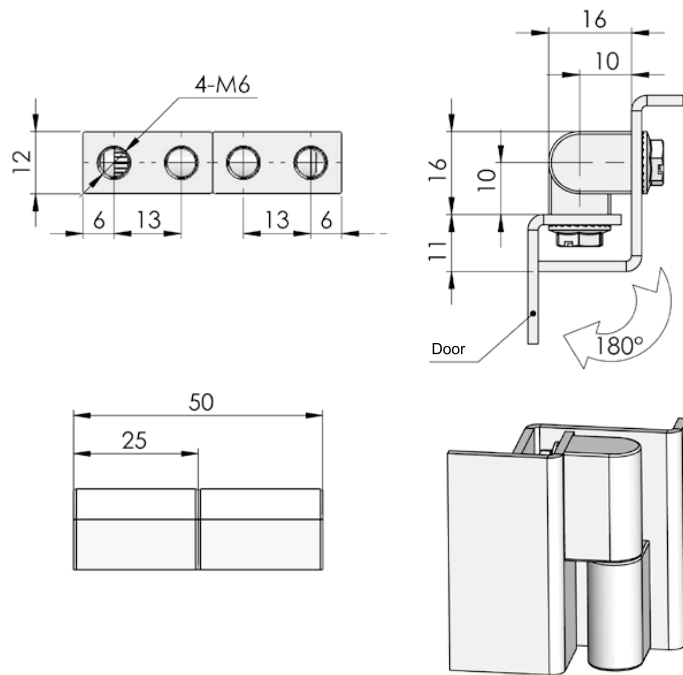
Hinge

Seal gasket

Main material and finish: Bright chrome plated ZDC exposed hinge
 Application: Opening angle 180°

Performance parameter:
 Maximum static load
 Radial load: 1500N
 Axial load: 2000N





ERP CL204S4A020

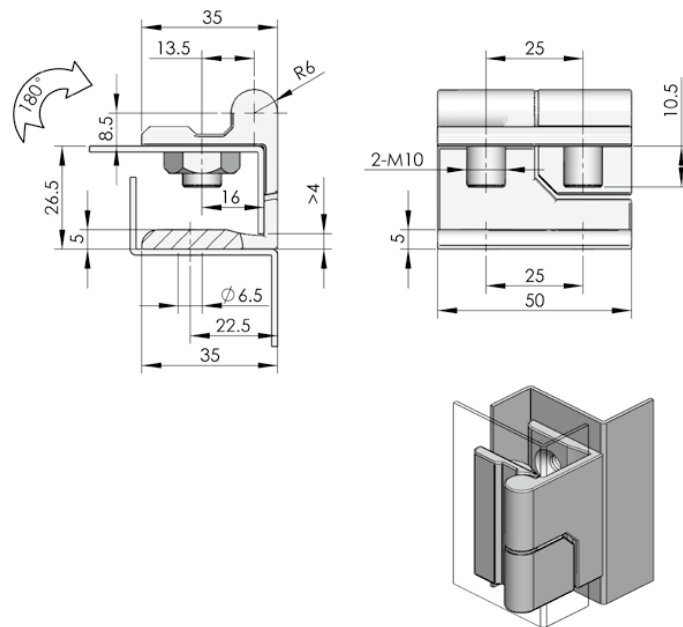
CL204-7



Main material and finish: Mirror polishing
SUS304 stainless steel hinge
Application: Opening angle 180°

Performance parameter:
Maximum static load
Radial load: 1500N
Axial load: 2000N

Accessories
Electronic lock
Handle lock
Cylinder lock
Plane lock
Rod control lock



CL205-1



Main material and finish: ZDC hinge
Application: Opening angle 180°

Performance parameter:
Maximum static load
Radial load: 917N
Axial load: 710N



Panel lock
Toggle and hook
Handles
Door stop
Hinge

Specification	Model	ERP	
		Black powder coated	Pocked black powder coated
Left hand	CL205-1-Z	CL205Z1A001	CL205Z1B001
Right hand	CL205-1-Y	CL205Z1A002	CL205Z1B002

Seal gasket