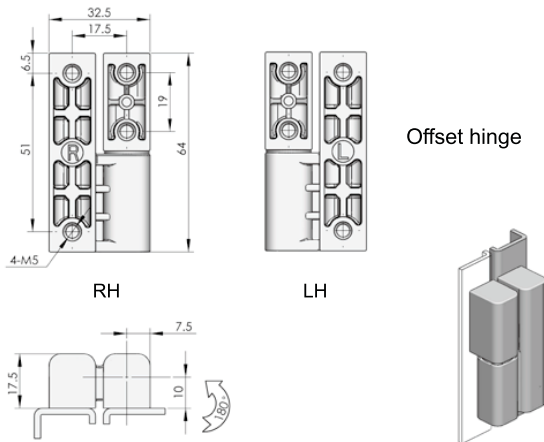


CL203-1

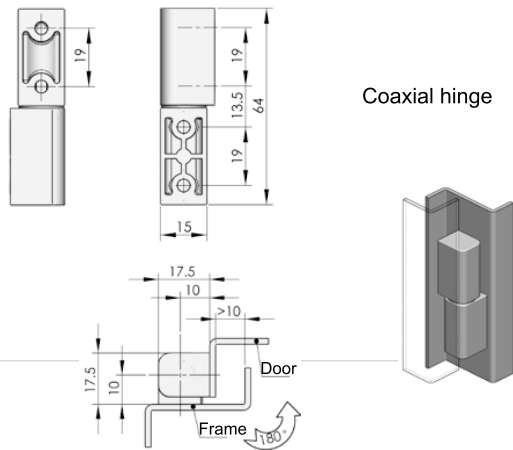


Offset hinge

CL203-1



CL203-2

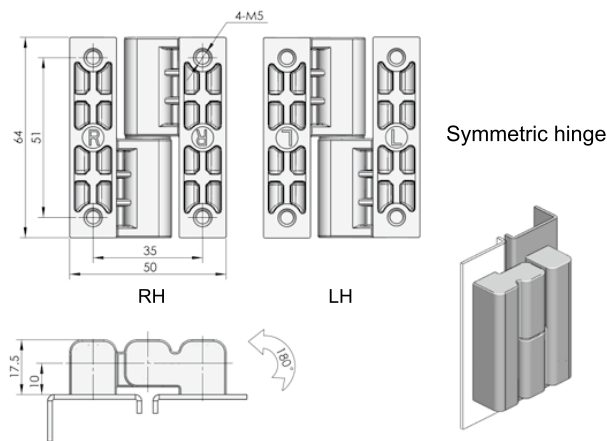


Coaxial hinge

CL203-2



CL203-3



Symmetric hinge

CL203-3



Main material and finish: ZDC hinge PA bushing

Application: Opening degree 180°

Performance parameter:
Maximum static load

Model: CL203-1
Radial load: 490N Axial load: 570N

Model: CL203-2
Radial load: 650N Axial load: 1550N

Model: CL203-3
Radial load: 3300N Axial load: 880N

Accessories

Electronic lock

Handle lock

Cylinder lock

Plane lock

Rod control lock

Panel lock

Toggle and hook

Handles

Door stop

Hinge

Seal gasket

Specification	Model	ERP		
		Matt black powder coated	Pocked black powder coated	Nanometer painted
Coaxial hinge	CL203-2	CL203Z1A003	CL203Z1B004	CL203Z2B003
Offset left hinge	CL203-1-Z	CL203Z1A001	CL203Z1B001	CL203Z2B001
Offset right hinge	CL203-1-Y	CL203Z1A002	CL203Z1B002	CL203Z2B002
Symmetrical left hinge	CL203-3-Z	CL203Z1A008		CL203Z2B004
Symmetrical right hinge	CL203-3-Y	CL203Z1A009	CL203Z1B015	CL203Z2B005

Accessories

Electronic lock

Handle lock

Cylinder lock

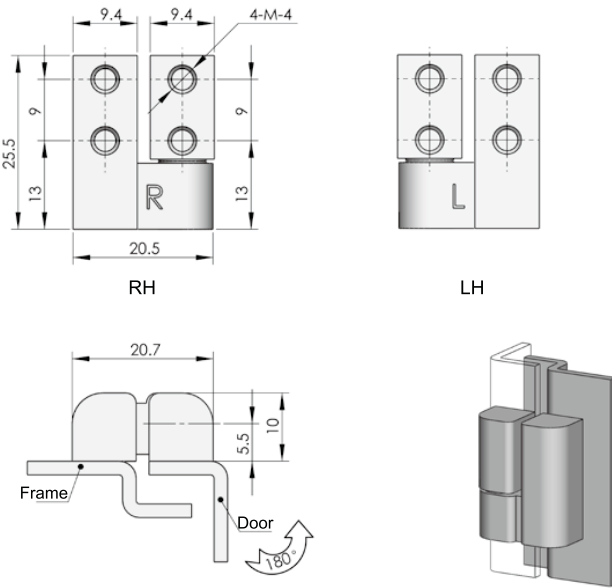
Plane lock

Rod control lock

CL203-4

Main material and finish: ZDC hinge
Application: Opening angle 180°

Performance parameter:
Maximum static load
Radial load: 270N
Axial load: 730N



Specification	Model	ERP	
		Black powder coated	Nanometer painted
Left hand	CL203-4-Z	CL203Z2A001	CL203Z2B006
Right hand	CL203-4-Y	CL203Z2A002	CL203Z2B007

Panel lock

Toggle and hook

Handles

Door stop

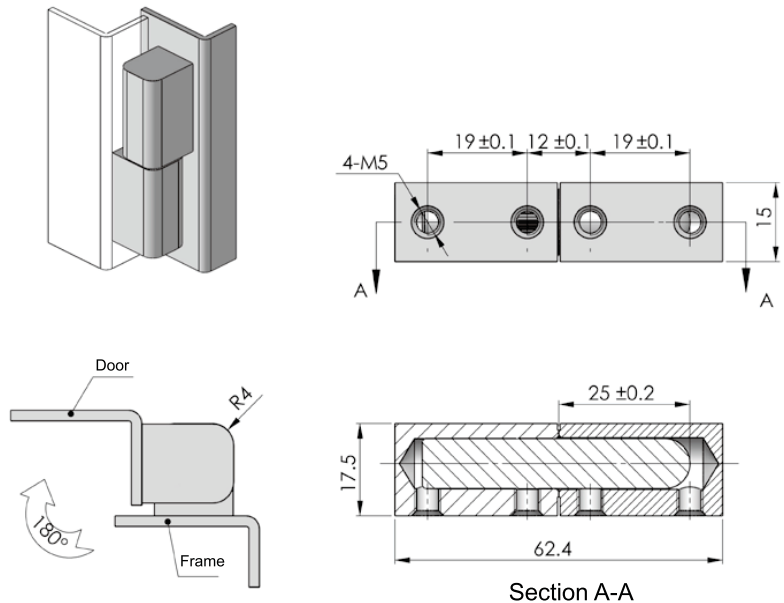
CL203-7

Main material and finish: Wire drawing polishing stainless steel hinge
Application: Opening angle 180°

Performance parameter:
Maximum static load
Radial load: 1295N
Axial load: 2240N

Hinge

Seal gasket



ERP	CL203S4B001
-----	-------------