

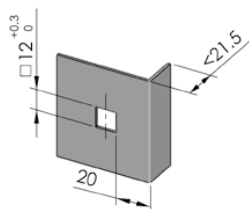
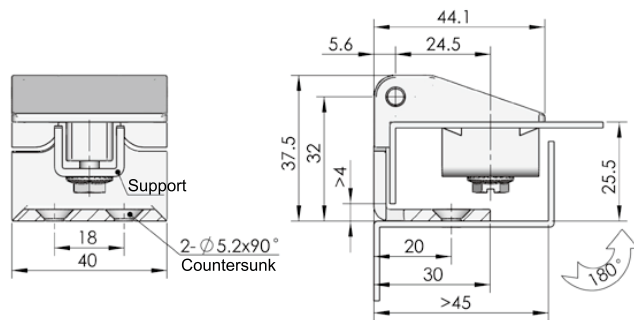
Specification	With SJ logo	Without SJ logo
ERP	CL201Z2B021	CL201Z2B022

### CL201-12

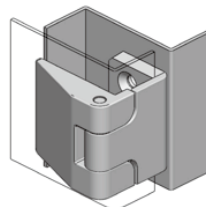


Main material and finish: Nanometer painted ZDC hinge leaf, steel pin  
Application: Opening angle 100°

Performance parameter:  
Maximum static load  
Radial load: 900N  
Axial load: 2000N



Cut size



ERP	Black Powder Coated	Nanometer painted
ERP	CL202Z1A001	CL202Z2B001

### CL202-1



Main material and finish: ZDC door-part, steel frame-part and pin  
Application: Opening degree 180°

Performance parameter:  
Maximum static load  
Radial load: 280N  
Axial load: 390N

Accessories

Electronic lock

Handle lock

Cylinder lock

Plane lock

Rod control lock

Panel lock

Toggle and hook

Handles

Door stop

Hinge

Seal gasket

Accessories

Electronic lock



Handle lock

Cylinder lock

Plane lock

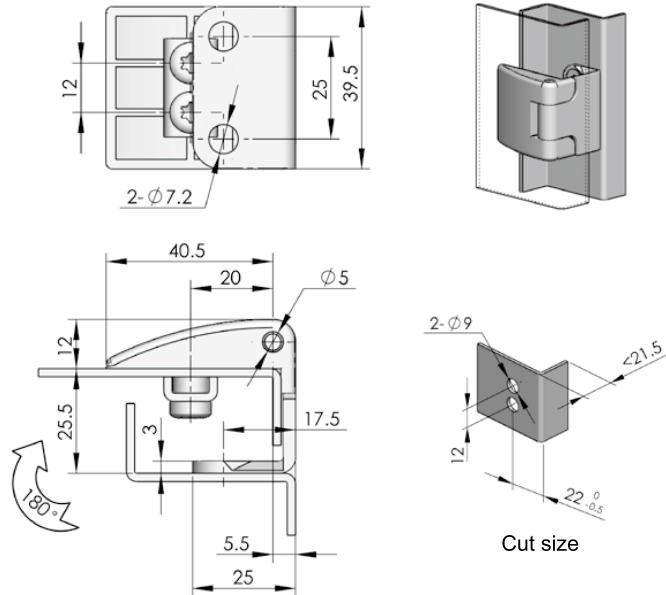
Rod control lock

**CL202-2**

Main material and finish: ZDC door-part, steel frame-part, pin and screw  
Application: Opening degree 180°

Performance parameter:  
Maximum static load  
Radial load: 560N  
Axial load: 520N



	Matt black powder coated	Malachite green powder coated	Pocked black powder coated
ERP	CL202Z1A002	CL202Z1F006	CL202Z1B001


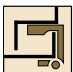
Panel lock

Toggle and hook

Handles

Door stop

**CL203-2B**

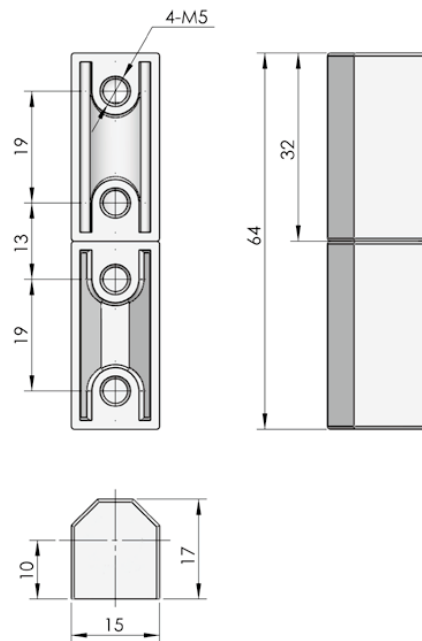



Main material and finish: ZDC hinge  
Application: Opening degree 180°

Performance parameter:  
Maximum static load  
Radial load: 600N  
Axial load: 1500N

Hinge

Seal gasket



	Black powder coated	Bright chrome plated
ERP	CL203Z1A007	CL203Z3A005