

Accessories

Electronic lock

Handle lock

**Cylinder lock**

Plane lock

Rod control lock

**MS722**



**RL IP54**

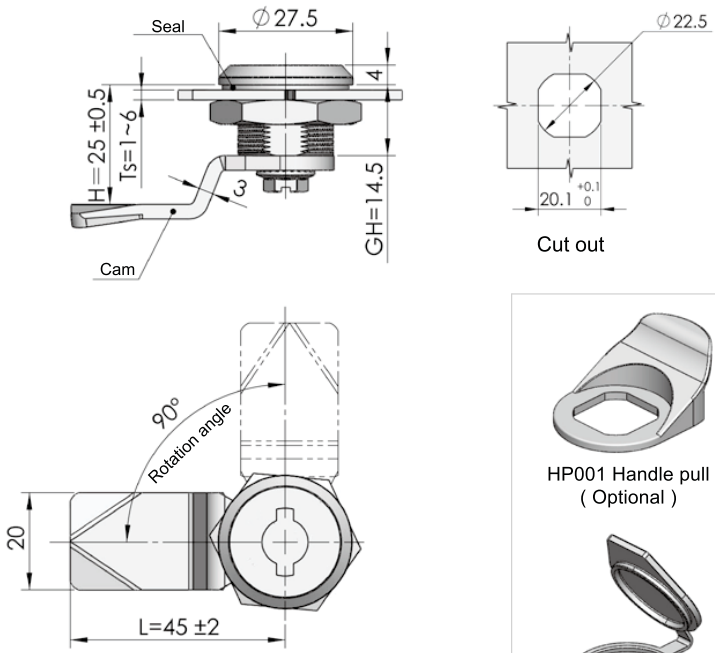
Main material and finish: Bright chrome-plated ZDC housing, white zinc-plated steel cam and insert

Application : Quarter-turn opening or closing

Remark : Optional key K15-1

Default cam : S1B45Y07002

Performance parameter:  
Maximum static load: 220N  
Recommended nut tightening torque: 20N.m



Seal

Ø 27.5

4

H=25 ±0.5

Ts=1~6

Cam

GH=14.5

Cut out

Ø 22.5

20.1

+0.1/0

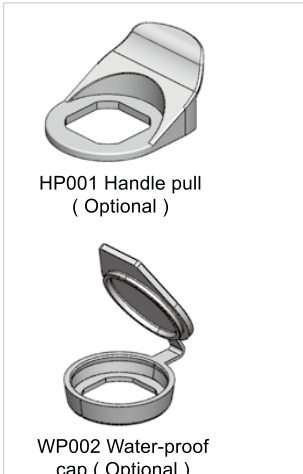
90° Rotation angle

20

L=45 ±2

**ERP MS722Z3AT01009**

Remark: Default cam S1B4507,T=4 (cut out 8x8)



HP001 Handle pull (Optional)

WP002 Water-proof cap (Optional)

Panel lock

Toggle and hook


Handles

Door stop

Hinge

Seal gasket

**MS729-1 MS729-2 MS729-3**



**RL**

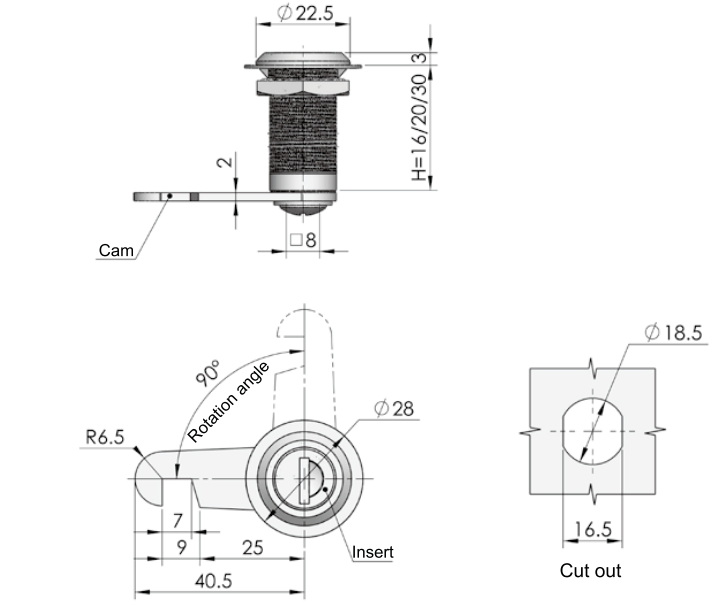
Main material and finish: Bright chrome plated ZDC housing and insert, white zinc plated steel cam

Application: Quarter-turn opening or closing

Remark: Default key K420

Default cam : S1B40Y00001

Performance parameter:  
Maximum static load: 150N  
Recommended nut tightening torque: 20N.m



Ø 22.5

H=16/20/30.3

2

Cam

8

90° Rotation angle

R6.5

7

9

25

40.5

Insert

Ø 28

Cut out

Ø 18.5

16.5

	MS729-1	MS729-2	MS729-3
<b>ERP</b>	MS729Z3A420022	MS729Z3A420002	MS729Z3A420017

Remark : Default cam S1B4000