

ERP

CL232Z3H001

CL232



Main material and finish: Sand-spraying and bright chrome-plated ZDC female hinge, white zinc-plated steel male hinge, nickel plated steel pin
Application: Opening angle 120°

Performance parameter:
Maximum static load
Radial load: 420N
Axial load: 1050N

Accessories

Electronic lock

Handle lock

Cylinder lock

Plane lock

Rod control lock

Panel lock

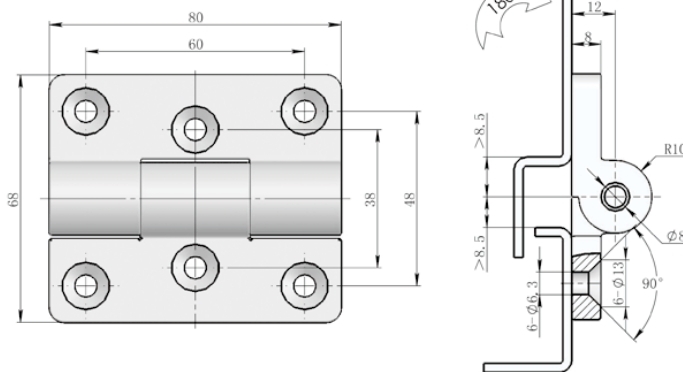
Toggle and hook

Handles

Door stop

Hinge

Seal gasket



ERP

CL233S9C001

CL233



Main material and finish: Electrolysis or polishing stainless steel hinge
Application: Opening angle 180°

Performance parameter:
Maximum static load
Radial load: 3000N
Axial load: 3000N