

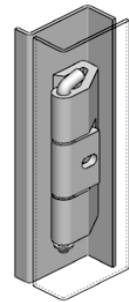
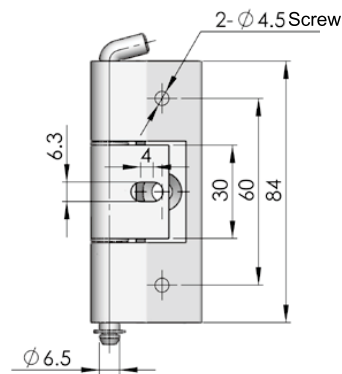
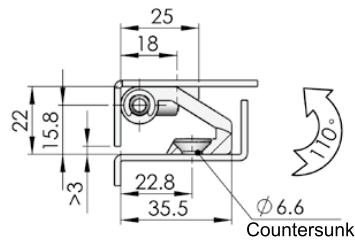
- Accessories
- Electronic lock
- Handle lock
- Cylinder lock
- Plane lock
- Rod control lock
- Panel lock
- Toggle and hook
- Handles
- Door stop
- Hinge
- Seal gasket

### CL210



Main material and finish: ZDC hinge, steel pin, PA gasket set  
 Application: Opening angle 110°

Performance parameter:  
 Maximum static load  
 Radial load: 720N  
 Axial load: 830N



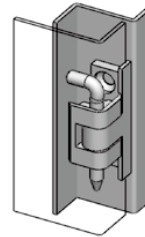
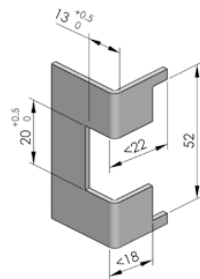
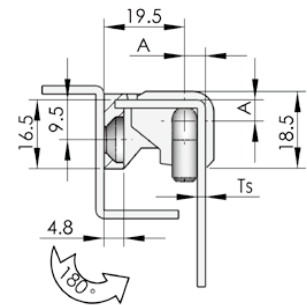
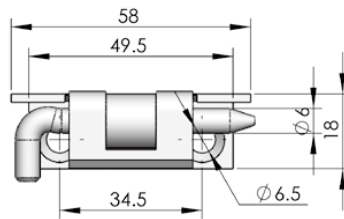
	Matt black powder coated	Nanometer painted
ERP	CL210Z1A001	CL210Z2B001

### CL211

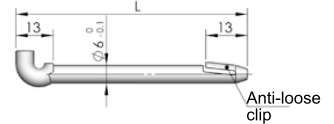


Main material and finish: Black powder coated ZDC hinge, nickel-plated steel pin  
 Application: Opening angle 180°

Performance parameter:  
 Maximum static load  
 Radial load: 1500N  
 Axial load: 1800N



Optional nylon pin



Part No.	L
PN001	57
PN002	78

Specification	A	Model	ERP
Suitable door thickness, Ts=1.5mm	4.6	CL211-1	CL211Z1A001
Suitable door thickness, Ts=2mm	5.1	CL211-2	CL211Z1A010