
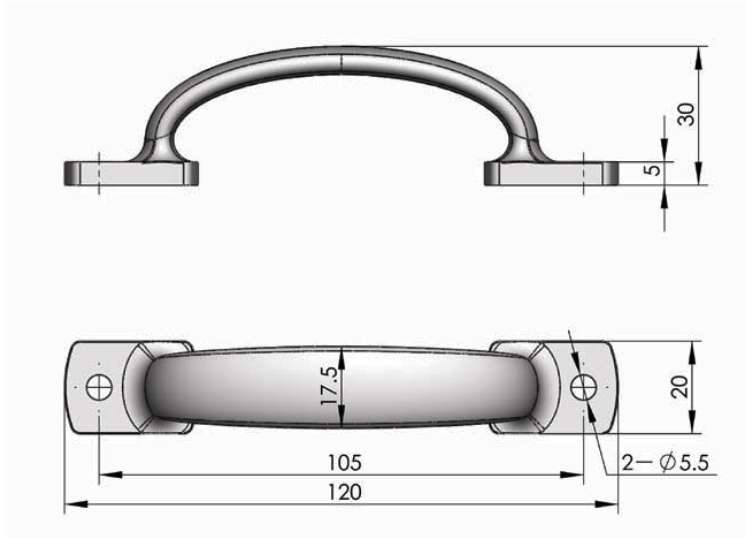

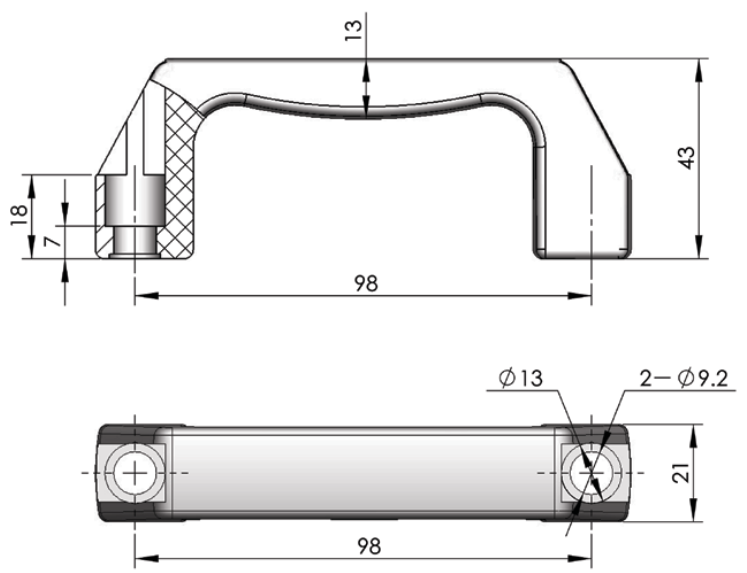


Accessories	 <p>LS519</p> <p>Main material and finish: Mirror polishing stainless steel handle</p> <p>Performance parameter: Maximum static load: 850N</p>
Electronic lock	
Handle lock	
Cylinder lock	
Plane lock	
Rod control lock	



ERP LS519S4A105001

Panel lock	 <p>LS520</p> <p>Main material and finish: Black ABS</p> <p>Performance parameter: Maximum static load: 980N</p>
Toggle and hook	
Handles	
Door stop	
Hinge	
Seal gasket	



ERP LS520N00098001