

Accessories

Electronic lock

Handle lock

Cylinder lock

Plane lock

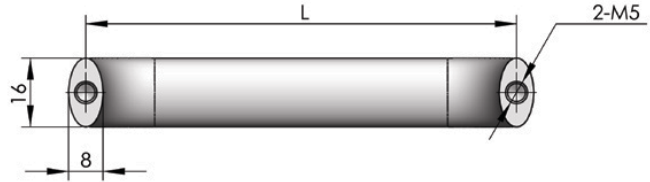
Rod control lock

LS516



Main material and finish: Silk black powder coated aluminum alloy

Performance parameter:
Maximum static load: 2500N (L=100)




Specification	Model	ERP
L		
75	LS516-75	LS516A1A075001
100	LS516-100	LS516A1A100001
125	LS516-125	LS516A1A125001
150	LS516-150	LS516A1A150001
175	LS516-175	LS516A1A175001

Panel lock

Toggle and hook

LS516-2A



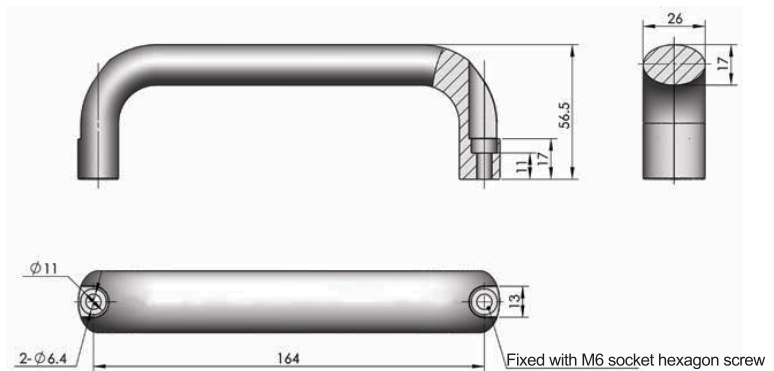
Main material and finish: Silk black powder coated aluminum alloy

Performance parameter:
Maximum static load: 3000N

Door stop

Hinge

Seal gasket



ERP	LS516A1A164001
-----	----------------