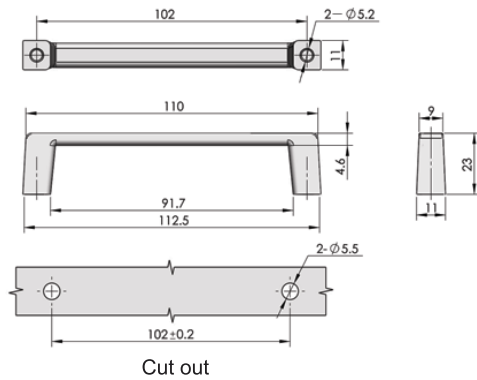
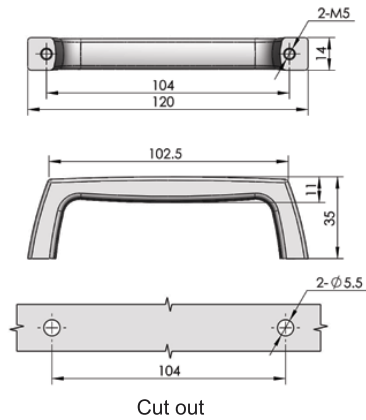


LS514-1



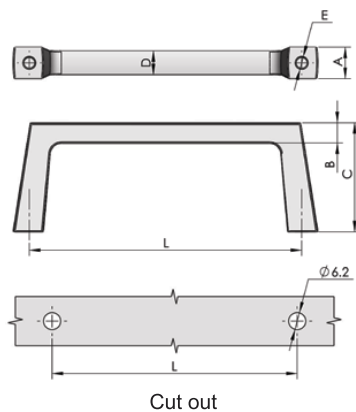
ERP LS514Z3A102001

LS514-2



ERP LS514Z2B104001

LS514-3-4-5



Model	ERP	Specification					
		A	B	C	D	L	E
LS514-3	LS514A2B100001	10.5	7	32	8	100	2-M6
LS514-4	LS514A2B125001	14.5	9.5	50	11	125	2-M6
LS514-5	LS514A2B130001	18.5	9.5	40	16	130	2-M6

LS514-1



Main material and finish: Bright chrome plated ZDC

LS514-2



Main material and finish: Nanometer painted ZDC

LS514-3-4-5



Main material and finish: Nanometer painted aluminium alloy

Performance parameter:
Maximum static load: 800N

Accessories

Electronic lock

Handle lock

Cylinder lock

Plane lock

Rod control lock

Panel lock

Toggle and hook

Handles

Door stop

Hinge

Seal gasket