

Accessories

Electronic lock


Handle lock

Cylinder lock

Plane lock

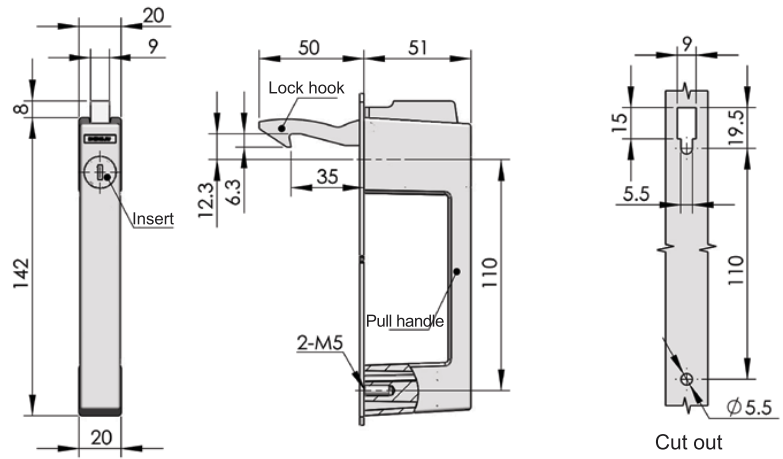
Rod control lock

LS501



Main material and finish: Nanometer painted ZDC pull handle, lock hook and steel spring

Performance parameter:
Maximum static load: 600N



Specification	Model	ERP
With insert	LS501-10	LS501Z2B110001
Without insert	LS501-20	LS501Z2B110002

Panel lock

Toggle and hook


Handles

Door stop

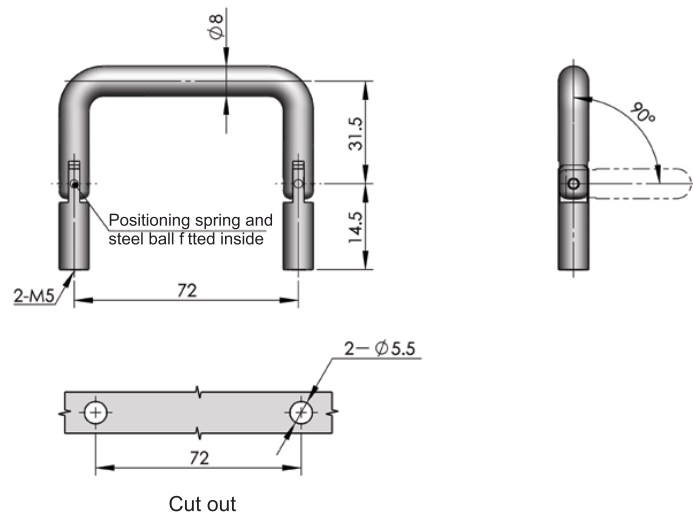
Hinge

Seal gasket

LS503



Performance parameter:
Maximum static load: 1000N



	Stainless steel	Bright chrome-plated steel
ERP	LS503S4A072001	LS503F3A072001