

- Accessories
- Electronic lock
- Handle lock
- Cylinder lock**
- Plane lock
- Rod control lock
- Panel lock
- Toggle and hook
- Handles
- Door stop
- Hinge
- Seal gasket

MS816-1



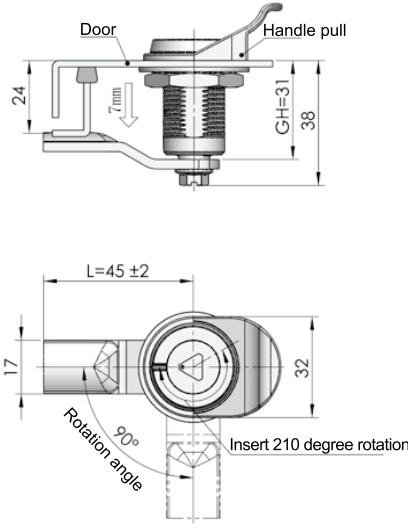
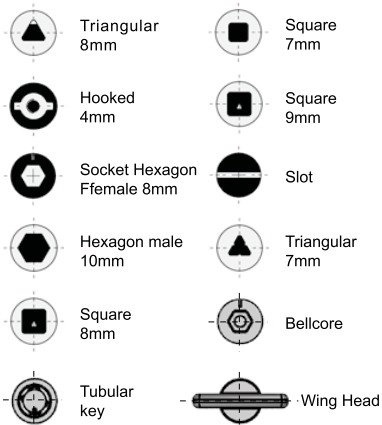
MS816-1A



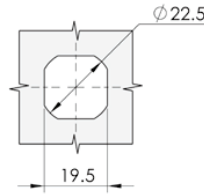
Main material and finish : Blue-gray powder coated ZDC housing and insert, white zinc-plated steel cam, PA handle pull
 Application: Cam quarter-turn to open or close, with function of locking
 Remark: Optional key K15 series

Default cam : S1B45N070016(Unadjustable)
 S1M33Y00002(Adjustable Ts=5)

Performance parameter:
 Maximum static load: 300N
 Recommended nut tightening torque: 20N.m
 Maximum input torque: 11N.m

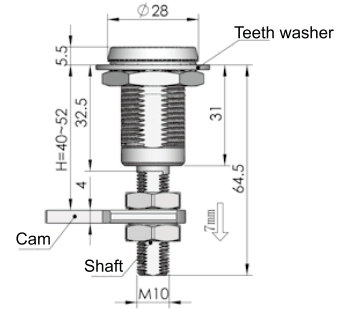


Unadjustable type

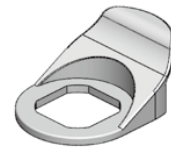
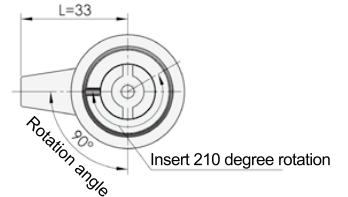


Cut out

Remark : Inserts sketch refers to inserts list 2 on P058



Adjustable type



HP001 handle pull (Optional)



WP001 water-proof cap (Optional)

Specification	Unadjustable type		Adjustable type	
	Model	ERP	Model	ERP
8mm Triangle	MS816-1-1	MS816Z1DT04009	MS816-1A-1	MS816Z1DT04015
S Hook	MS816-1-2	MS816Z1DT03007	MS816-1A-2	MS816Z1DT03010
8mm Socket hexagon	MS816-1-3	MS816Z1DT24004	MS816-1A-3	MS816Z1DT24005
10mm Hexagon	MS816-1-4	MS816Z1DT25001	MS816-1A-4	MS816Z2AT25001
8mm Square	MS816-1-5	MS816Z1DT07001	MS816-1A-5	MS816Z1DT07003
7mm Square	MS816-1-6	MS816Z1DT06001	MS816-1A-6	MS816Z1DT06003
9mm Square	MS816-1-8	MS816Z1DT26001	MS816-1A-8	MS816Z1DT26003
Slot	MS816-1-9	MS816Z1DT10001	MS816-1A-9	MS816Z1DT10003
7mm Triangle	MS816-1-10	MS816Z1DT14002	MS816-1A-10	MS816Z1DT14003
Abnormal	MS816-1-12	MS816Z1DT21001	MS816-1A-12	MS816Z1DT21004