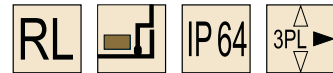


	MS834-5-P with padlock	MS834-5 without padlock
ERP	MS834Z1A043001	MS834Z1A043003

Remark : ERP excludes cam (optional 10*10) Optional cam S3C5000

MS834-5



Main material and finish: Black powder coated ZDC housing and handle, bright chrome-plated ZDC profile insert, stainless steel support

Application: Open the handle upward, quarter-turn opening or closing, padlockable

Remark: Default key K043

Performance parameter:

Handle load tension capability: $\phi 310N$

Handle load torque capability: $\phi 33N.m$

Tips: Tighten the lock cover is helpful to protect the insert

Max static load : 300N

Accessories

Electronic lock

Handle lock

Cylinder lock

Plane lock

Rod control lock

Panel lock

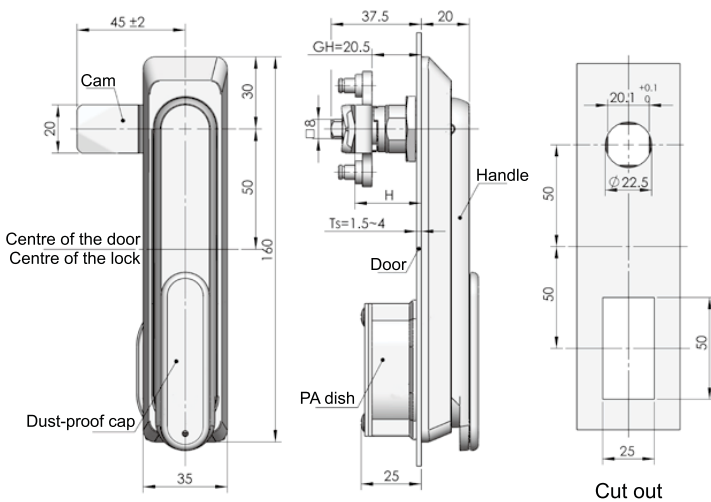
Toggle and hook

Handles

Door stop

Hinge

Seal gasket



Remark: Default cam S3B4510,H=20.5+10,default profile insert TC01. Cam cutout square 8mm, optional cam, three-point, two-point or one-point cam, see cam list on P007

ERP	MS874S4BE03001
-----	----------------

Remark: Default cam S3B4510

MS874



Main material and finish: Stainless steel lock-body and cam, PA dish

Application: Open the handle upward, quarter-turn opening or closing

Remark: Default profile insert TC01

Default cam: 2882451002

Performance parameter:

Handle load tension capability: $\phi 485N$

Handle load torque capability: $\phi 25N.m$

Maximum static load: 300N