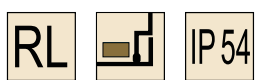


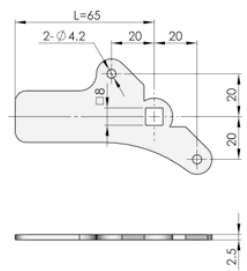
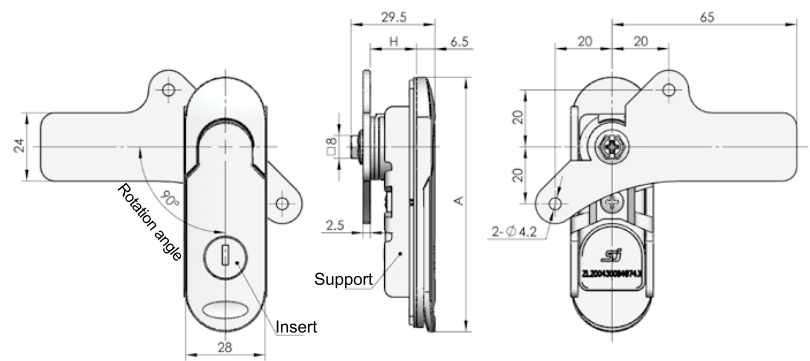
- Accessories
- Electronic lock
- Handle lock
- Cylinder lock
- Plane lock**
- Rod control lock
- Panel lock
- Toggle and hook
- Handles
- Door stop
- Hinge
- Seal gasket

MS843

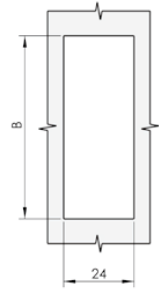


Main material and finish: Nanometer painted ZDC handle and housing, white zinc-plated steel support and cam
 Application: Open the handle upward, with cam 90° rotation opening
 Remark: Default key K080

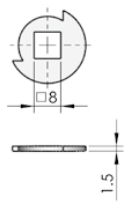
Default cam: S3B65Y00002
 Performance parameter:
 Handle load tension capability: $\phi 180N$
 Handle load torque capability: $\phi 14N.m$
 Maximum static load: 190N



Default cam S3B6500



Cut out



Remark: Change the fitting position of the position device and cam to adjust the stop height, change the fitting direction to suit RH or LH application

Specification	With insert		Without insert	
	Model	ERP	Model	ERP
A=89 B=63	MS843-1	MS843Z2B080013	MS843-1A	MS843Z2B000011
A=107 B=80	MS843-2	MS843Z2B080016	MS843-2A	MS843Z2B000012
A=123 B=96	MS843-3	MS843Z2B080020	MS843-3A	MS843Z2B000005