

Accessories

Electronic lock


Handle lock

Cylinder lock

Plane lock

Rod control lock

MS736



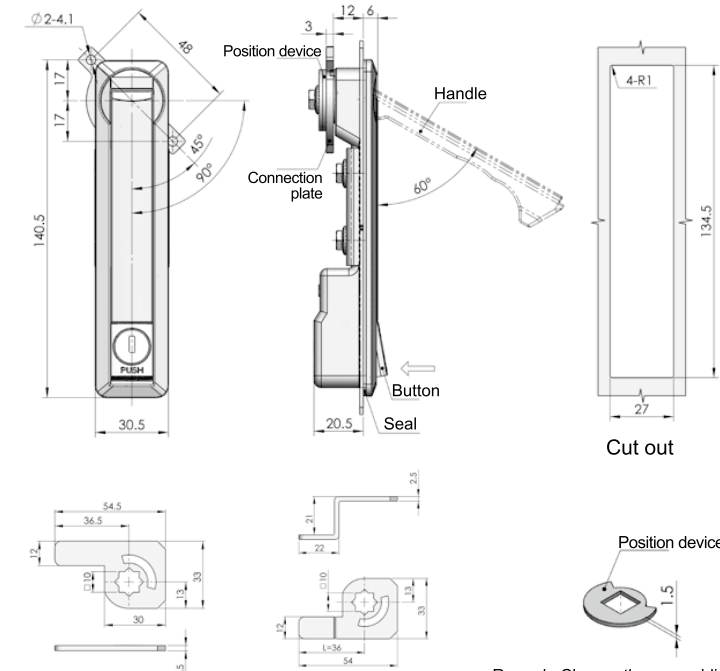
RL

Main material and finish: Nanometer painted ZDC housing and handle, ZDC insert, white zinc plated steel support and cam

Application: Quick-open, easy assembling, one-point locking or three-point locking function will be achieved with different cam mounted on

Remark: Default key k060
Default cam: 2893240002

Performance parameter:
Handle load tension capability: $\phi 980N$
Handle load torque capability: $\phi 14N.m$
Maximum static load: 270N



Optional cam S1C3700D Optional cam S1C3621D

ERP **MS736Z2B060001**

Remark: The default cam is S2C2400

Remark: Change the assembling position of the position device and cam to adjust the stop height, thickness of position device is 1.5mm, change the fitting direction of position device to realize RH or LH application

Panel lock

Toggle and hook


Handles

Door stop

Hinge

Seal gasket

MS737



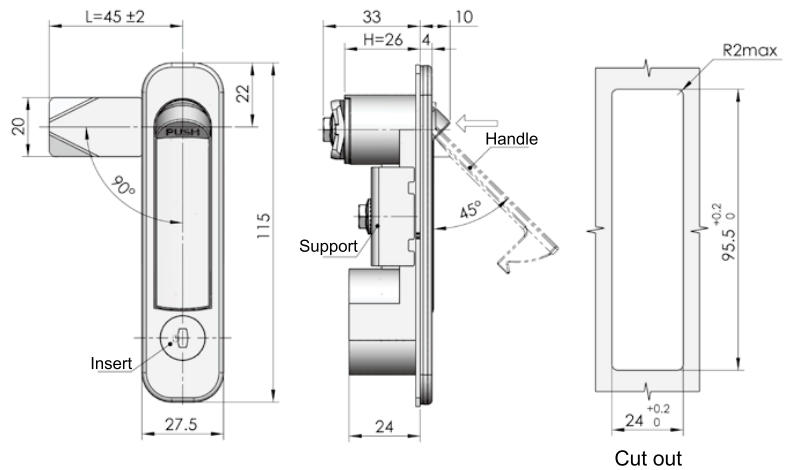
RL

Main material and finish: Nanometer painted ZDC housing and handle, ZDC insert, white zinc plated steel support and cam

Application: Quick-open, easy assembling. One-point locking or three-point locking function will be achieved with different cam mounted on.

Remark: Default key k110
Default cam: S1B45Y00002

Performance parameter:
Handle load tension capability: $\phi 340N$
Handle load torque capability: $\phi 11N.m$
Maximum static load: 270N



ERP **MS737Z2B110001**

Remark: The default cam is S1B4500(Option 8*8cam)