

	Painted (black) housing, handle	Nanometer painted housing, handle
ERP	MS730Z2A200002	MS730Z2B200002

**MS730-1A**



Main material and finish: ZDC housing, insert, and button, white zinc-plated ZDC cam

Application: Quick-open, easy assembling, front-end of lock tongue is suitable to special frame structure

Default cam: S1D56Y00002

Performance parameter:  
 Handle load tension capability:  $\phi 540N$   
 Maximum static load: 400N

Accessories

Electronic lock

Handle lock

Cylinder lock

Plane lock

Rod control lock

Panel lock

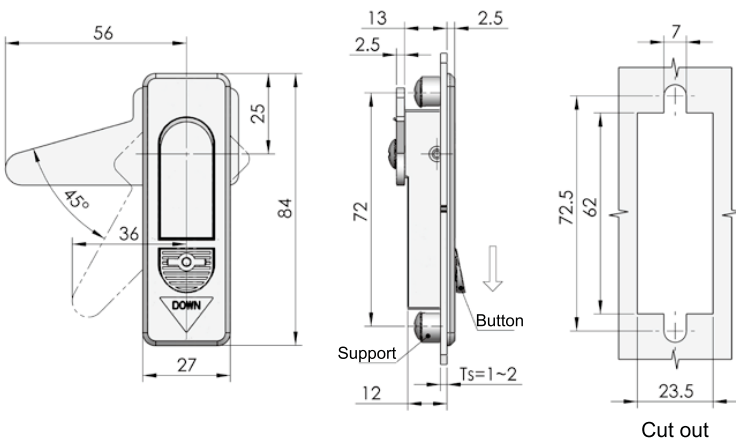
Toggle and hook

Handles

Door stop

Hinge

Seal gasket



180 degree cam rotation to realize LH or RH ( only for cam without bend )

ERP	MS732Z3A000001
-----	----------------

**MS732**



**RL**

Main material and finish: Bright chrome-plated ZDC housing, handle and button, zinc-plated steel cam

Application: Quick-open design, easy installation. Bend the cam to suit the different H

Default cam: S1D56Y00002

Performance parameter:  
 Handle load tension capability:  $\phi 555N$   
 Maximum static load: 350N