

Accessories

Electronic lock

Handle lock

Cylinder lock

Plane lock

Rod control lock

MS728

MS728-1H MS728-1

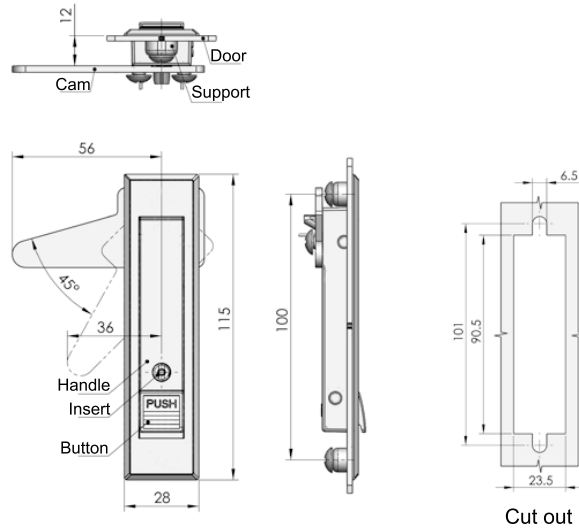
RL

Main material and finish: Sand-spraying and chrome-plated ZDC housing and insert, ZDC button or PA button, white zinc-plated steel cam

Application: Quick-open, easy assembling, H variable, Bend the cam to suit the different H

Default cam: S1D56Y00002

Performance parameter:
Handle load tension capability: ϕ 500N
Maximum static load: 350N



180 degree cam rotation to realize LH or RH (only for cam without bend)

Specification	Model	ERP	
		Nanometer painted	Sand-blast chrome-painted
ZDC button, with insert	MS728-1	MS728Z2B000005	MS728Z3H000001
ZDC button, without insert	MS728-2	MS728Z2B000006	MS728Z3H000005
Plastic button, with insert	MS728-1H	MS728Z2B000003	MS728Z3H000002
Plastic button, without insert	MS728-2H	MS728Z2B000004	MS728Z3H000006

Panel lock

Toggle and hook

Handles

Door stop

Hinge

Seal gasket

MS730

RL

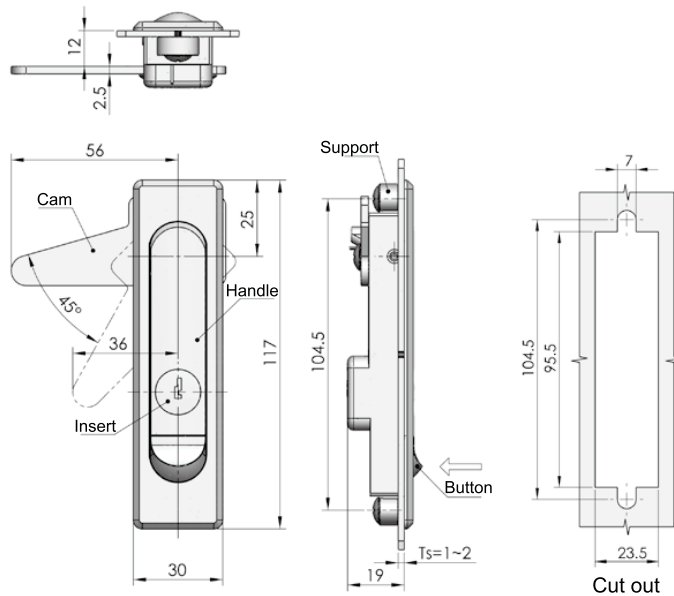
Main material and finish: ZDC housing, insert, and button, white zinc-plated steel cam

Application: Quick-open, easy assembling, H variable, Bend the cam to suit the different H

Remark: Default key K200

Default cam: S1D56Y00002

Performance parameter:
Handle load tension capability: ϕ 600N
Maximum static load: 350N



180 degree cam rotation to realize LH or RH (only for cam without bend)

ERP	Painted (black) housing, handle	Nanometer painted housing, handle
	MS730Z2A200001	MS730Z2B200018