

- Accessories
- Electronic lock
- Handle lock**
- Cylinder lock
- Plane lock
- Rod control lock
- Panel lock
- Toggle and hook
- Handles
- Door stop
- Hinge
- Seal gasket

MS807-1



MS807-2



MS807-3



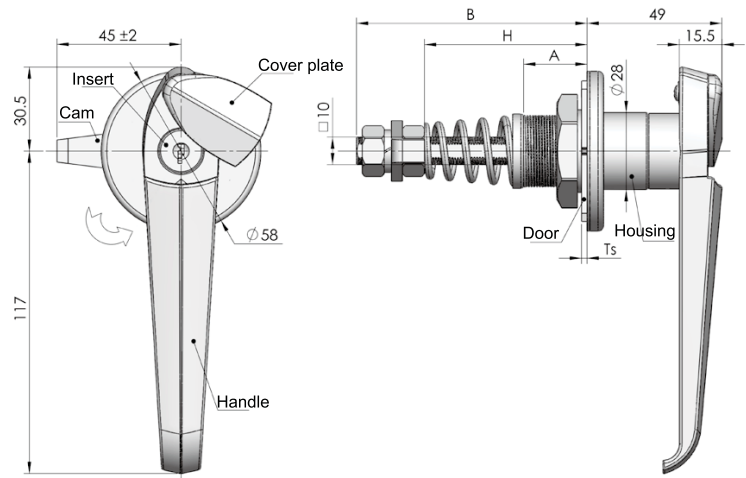
**R** **L** **IP54**

Main material and finish : Bright chrome-plated ZDC handle, housing, insert and dust-tight cap, white zinc-plated steel cam, teeth washer, and shaft

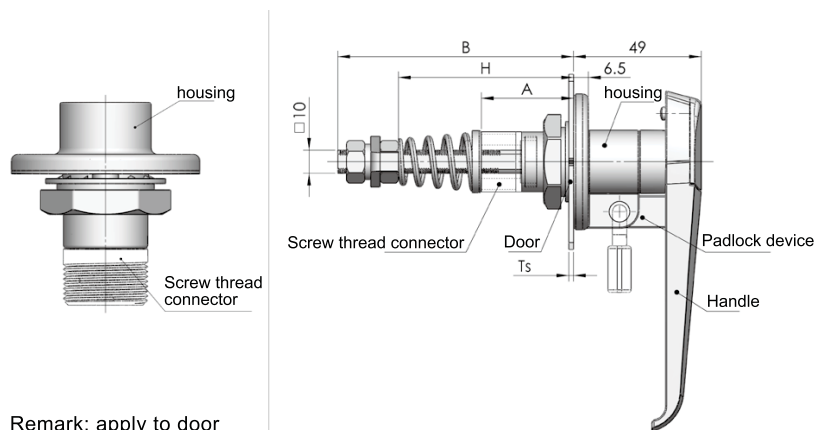
Application : Cam adjustable  
Remark: Default key K050

Default cam: S1C45Y00003(Steel)  
S1C45Y00004(Stainless steel)

Performance parameter:  
Maximum static load: 242N  
Recommended nut tightening torque: 30N.m  
Maximum input torque: 23N.m

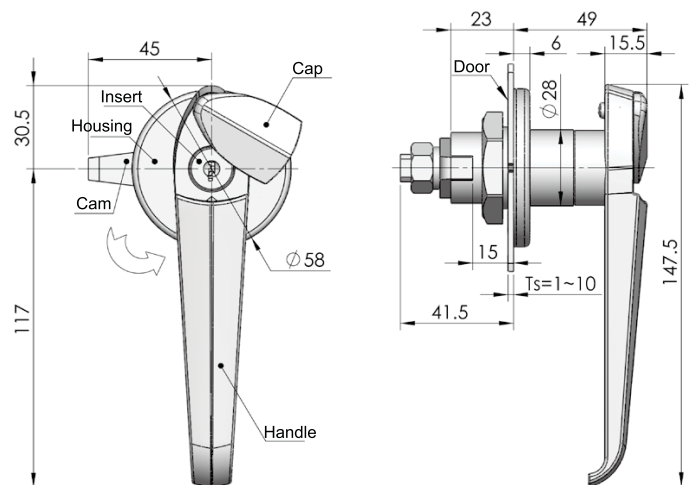


MS807-1



MS807-2

Remark: apply to door thickness  $\geq 10$ mm



MS807-3