

- Accessories
- Electronic lock
- Handle lock
- Cylinder lock**
- Plane lock
- Rod control lock
- Panel lock
- Toggle and hook
- Handles
- Door stop
- Hinge
- Seal gasket



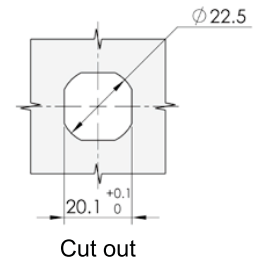
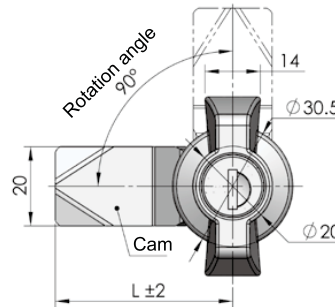
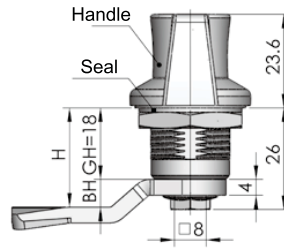
MS748

RL IP54

Main material and finish: Black powder-coated ZDC housing, handle and insert, white zinc plated steel cam
 Application: Quarter-turn opening or closing
 Remark: Default key K160

Default cam : S1B45Y07002

Performance parameter:
 Maximum static load: 270N
 Recommended nut tightening torque: 20N.m
 Maximum input torque: 30N.m



Black powder coated housing		Bright chrome-plated housing	
Model	ERP	Model	ERP
MS748-1	MS748Z1A040005	MS748-1	MS748Z3A160009
MS748-2	MS748Z1A160011	MS748-2	MS748Z3A160002

Remark : Default cam:S1B4500 (cut out 8x8)

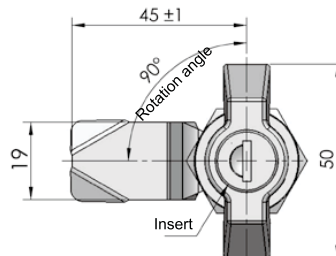
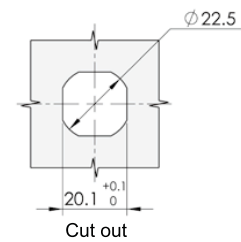
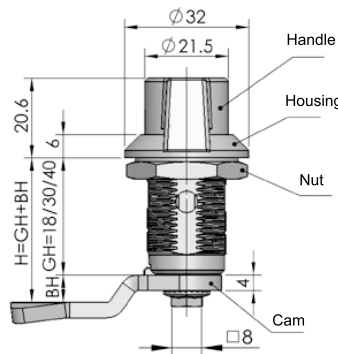


MS748-3/3A

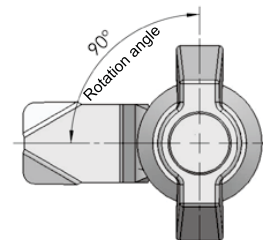
IP65

Main material and finish: Pocked black powder coated ZDC housing, PA handle, White zinc plated steel cam.
 Application: quarter-turn opening or closing
 Remark: Default key K190
 Default cam : S1B45Y07019(Default)

Performance parameter:
 Maximum static load: 270N
 Recommended nut tightening torque: 20N.m
 Maximum input torque: 30N.m



MS748-3



MS748-3A

	MS748-3	MS748-3A
ERP	MS748Z1B190002	MS748Z1B000006

Remark:Default cam DS1B4507 T=4 (Optional cam 8x8)