

180 degree cam rotation to realize LH or RH (only for cam without bend)

Specification	Model	ERP	
		Nanometer painted	Sand-blast chrome-painted
ZDC button, with insert	MS720-1	MS720Z2B000001	MS720Z3H000014
ZDC button, without insert	MS720-2	MS720Z2B000015	MS720Z3H000025
Plastic button, with insert	MS720-1H	MS720Z2B000002	MS720Z3H000002
Plastic button, without insert	MS720-2H	MS720Z2B000007	MS720Z3H000004

MS720

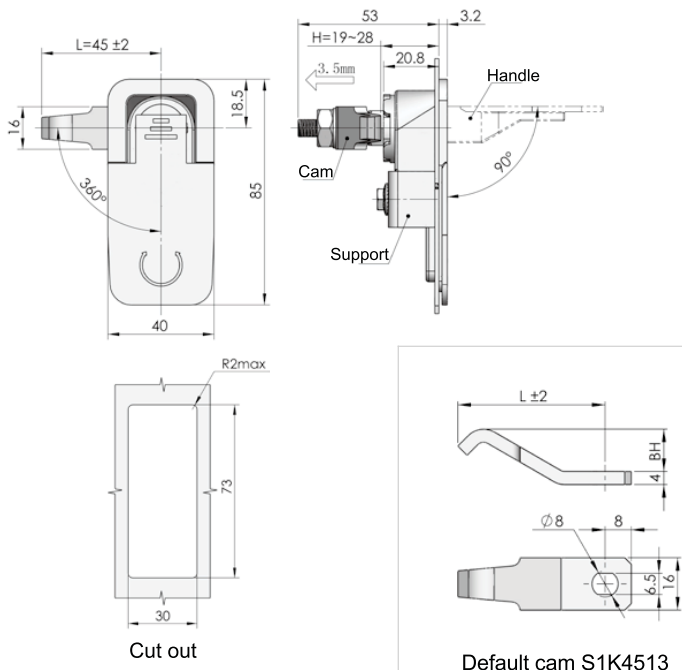


RL

Main material and finish: ZDC housing, insert, ZDC button or PA button, white zinc-plated steel cam
 Application: Quick-open, easy assembling, H variable

Default cam: S1D56Y00002

Performance parameter:
 Handle load tension capability: $\phi 555N$
 Maximum static load: 350N



MS726-1



Tighten RL

Main material and finish: ZDC housing and handle, white zinc plated steel support and cam
 Application: Quick-open, easy assembling. H variable by adjusting nut with the function of telescopic

Default cam: S1K45N13004

Performance parameter:
 Handle load tension capability: $\phi 420N$
 Maximum static load: 400N

	Black powder coated housing, handle	Bright chrome-plated housing, handle	Nanometer painted housing, handle
ERP	MS726Z1A000001	MS726Z3A000001	MS726Z2B000001

- Accessories
- Electronic lock
- Handle lock
- Cylinder lock
- Plane lock
- Rod control lock
- Panel lock
- Toggle and hook
- Handles
- Door stop
- Hinge
- Seal gasket