

Remark: Default adjusting screw, others on request

ERP

MS718Z1A180001

MS718



Main material and finish: Black powder coated ZDC housing, handle and button, ZDC insert, white zinc plated steel screw  
 Application: Quick-open, easy assembling, by adjusting screw meets the need of distance control  
 Remark: Default key K180

Performance parameter:  
 Handle load tension capability:  $\phi 750N$   
 Maximum static load: 200N

Accessories

Electronic lock

Handle lock

Cylinder lock

Plane lock

Rod control lock

Panel lock

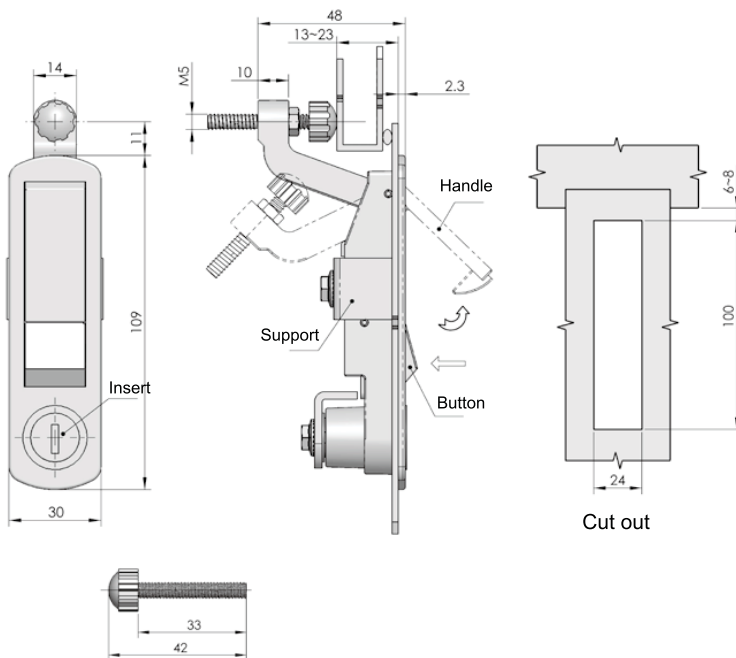
Toggle and hook

Handles

Door stop

Hinge

Seal gasket



Remark: Default adjusting screw, others on request

ERP

MS718Z1A160016

MS718-2



Main material and finish: silk black powder coated ZDC housing, handle, insert and button, white zinc-plated screw  
 Application: Quick-open, easy assembling, by adjusting screw to meet the need of distance control  
 Remark: default key K160

Performance parameter:  
 Handle load tension capability:  $\phi 540N$   
 Maximum static load: 200N