

Accessories

Electronic lock


Handle lock

Cylinder lock

Plane lock

Rod control lock

MS717-1



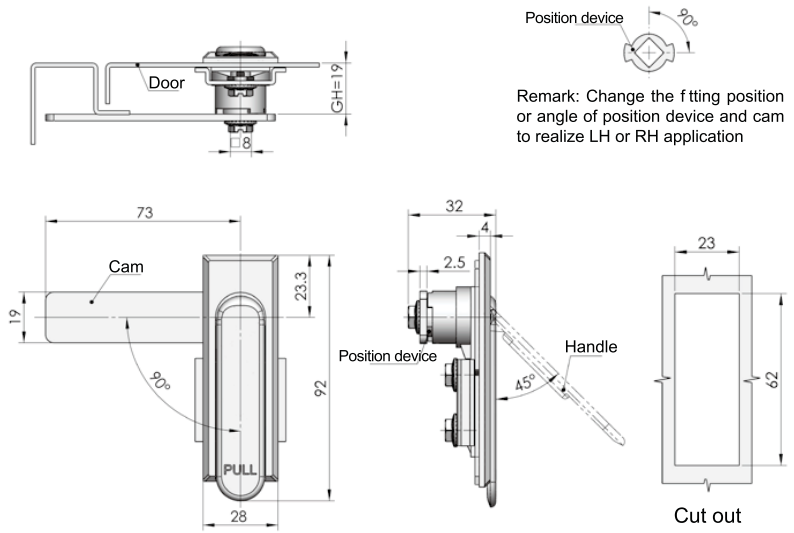
RL

Main material and finish: Black painted ZDC housing and handle, white zinc plated steel support and cam

Application: Quick-open, easy assembling, H variable

Default cam: S1B73Y00001

Performance parameter:
 Handle load tension capability: $\phi 140N$
 Handle load torque capability: $\phi 17 N.m$
 Maximum static load: 150 N



ERP MS717Z2A000002

Remark: Default cam is S1B7300 (rhombic hole)

Panel lock

Toggle and hook


Handles

Door stop

Hinge

Seal gasket

MS717-2



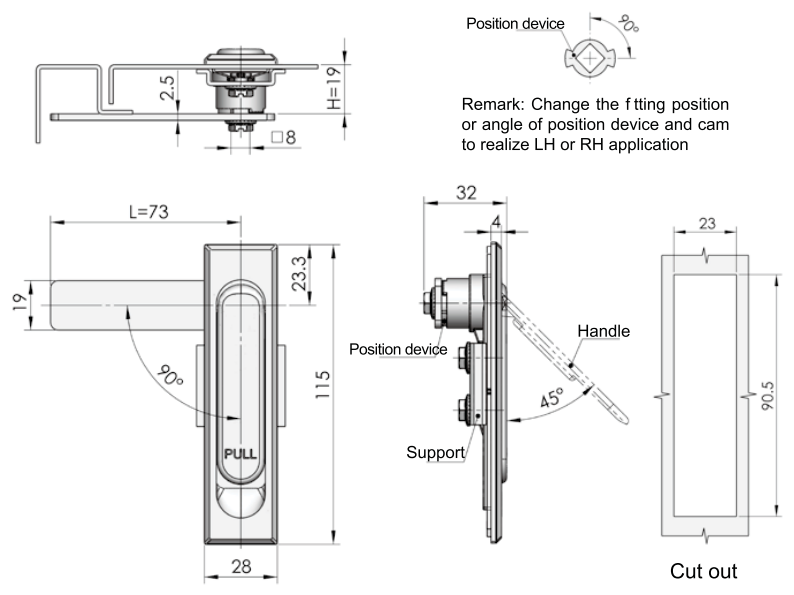
RL

Main material and finish: Silk black powder ZDC housing and handle, white zinc plated steel support and cam

Application: Quick-open, easy assembling, H variable

Default cam: S1B73Y00001

Performance parameter:
 Handle load tension capability: $\phi 125N$
 Handle load torque capability: $\phi 17 N.m$
 Maximum static load: 150 N



ERP MS717Z2A000009

Remark: Default cam is S1B7300 (rhombic hole)