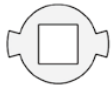
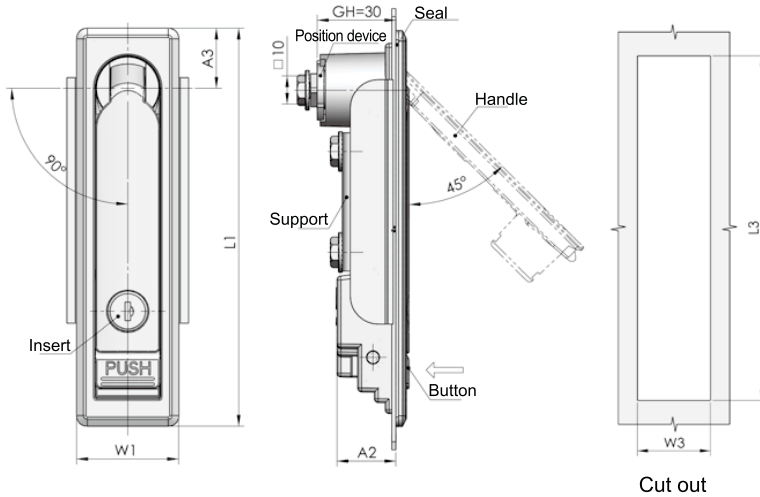


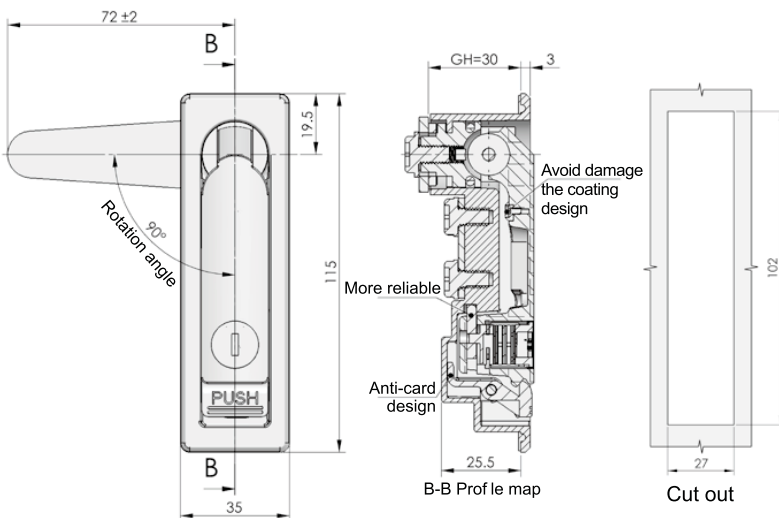
MS712



Remark: Change the fitting position or angle of position device and cam to realize LH or RH application

Model	ERP	L1	L3	W1	W3	GH	A2	A3	Cam	Default key
MS712	MS712Z2B040001	149	139.5	38	29.5	30	22	22.5	S1C7200	K040
MS712-2A	MS712Z2B110001	132	124	33.5	27.5	30	22	17	S1C7200	K110
MS712-3A	MS712Z2B110002	92	84	33.5	27.5	30	22	17	S1C7200	K110
MS713	MS713Z2B090001	110	102	33.5	27	30	22	17	S1C6200	K090

MS713-Q



ERP MS713Z2B090010

Remark : The default cam is S1C7200

MS712 MS713



RL IP54

Main material and finish: Nanometer painted ZDC housing and handle, ZDC insert, white zinc plated steel support and cam

Application: Quick-open, easy assembling. One-point locking or three-point locking function will be achieved with different cam mounted on

Remark: The default key of MS713-Q is K040

Default cam: S1C72Y00002

Performance parameter:

MS712

Handle load tension capability: ϕ 690N

Handle load torque capability: ϕ 42 N.m

MS713

Handle load tension capability: ϕ 510N

Handle load torque capability: ϕ 40 N.m

Maximum static load: 265 N

Accessories

Electronic lock

Handle lock

Cylinder lock

Plane lock

Rod control lock

Panel lock

Toggle and hook

Handles

Door stop

Hinge

Seal gasket