

Specification	Model	ERP
Cam opening from left rotation	MS703-Z	MS703Z3A000001
Cam opening from right rotation	MS703-Y	MS703Z3A000003

**MS703**



Main material and finish: Bright chrome-plated ZDC lock body and white zinc-plated steel cam

Application: Quick-open, easy assembling, by adjusting the cam screw to change the H and L of cam

Performance parameter:  
 Handle load tension capability:  $\phi$ 350N  
 Maximum static load: 350N

Accessories

Electronic lock

Handle lock

Cylinder lock

Plane lock

Rod control lock

Panel lock

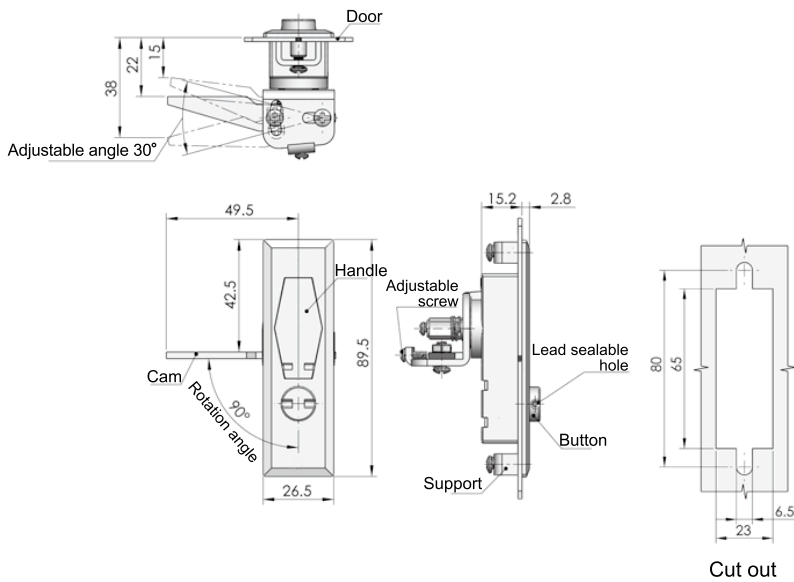
Toggle and hook

Handles

Door stop

Hinge

Seal gasket



Specification	Model	ERP	
		Opening from left rotation	Opening from right rotation
With insert	MS707	MS707Z3I000001	MS707Z3I000002
With lead sealable button	JMS707	MS707Z3I000003	MS707Z3I000004

**MS707**



Main material and finish: Blast-spraying and nickel plated ZDC housing, handle, button and insert, white zinc-plated steel cam

Application: Quick-open, easy assembling, by adjusting the cam screw to change the H and L of cam

Performance parameter:  
 Handle load tension capability:  $\phi$ 900N  
 Maximum static load: 350N