

- Accessories
- Electronic lock
- Handle lock
- Cylinder lock
- Plane lock
- Rod control lock
- Panel lock
- Toggle and hook
- Handles
- Door stop
- Hinge
- Seal gasket

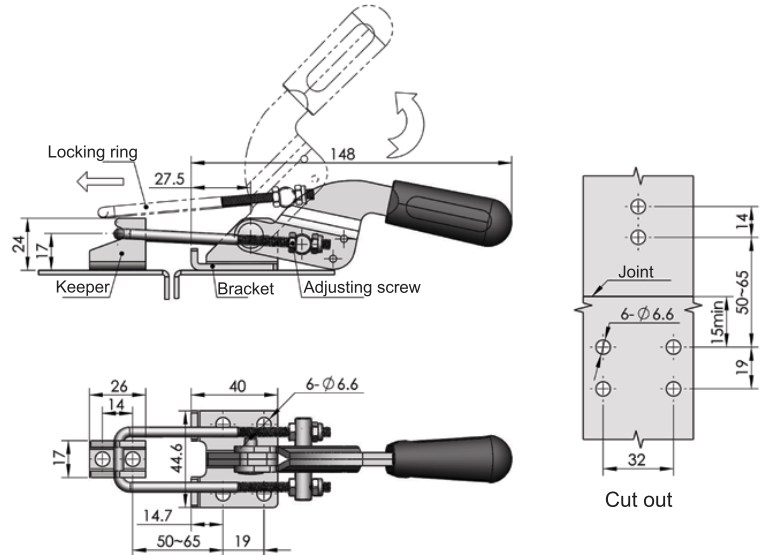
DK603



Main material and finish: Zinc-plated steel body, rubber handle

Performance parameter:

Maximum static load: 1500N



ERP DK603F3D000001

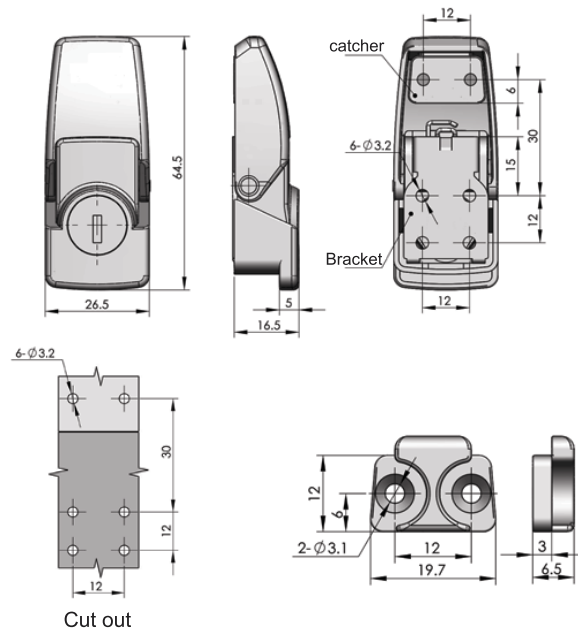
DK604



Main material and finish: ZDC housing and keeper, stainless steel bracket
Remark: Key K080 for selection

Performance parameter:

Maximum static load: 610N



Specification	ERP	
	Black powder coated	Bright chrome-plated
DK604-1 With insert	DK604Z2A080002	DK604Z3A080001
DK604-2 Without insert	DK604Z2A000001	DK604Z3A000001