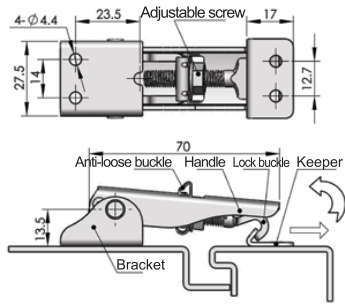
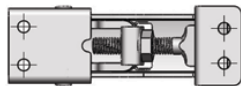


- Accessories
- Electronic lock
- Handle lock
- Cylinder lock
- Plane lock
- Rod control lock
- Panel lock
- Toggle and hook
- Handles
- Door stop
- Hinge
- Seal gasket

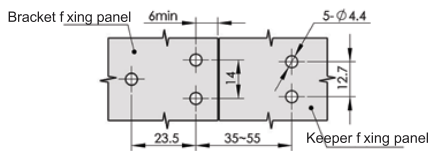
Exposed type



With anti-loose buckle

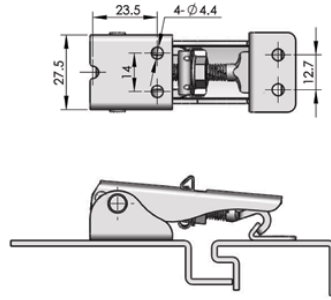


Without anti-loose buckle

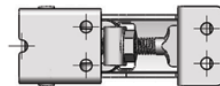


Cut out

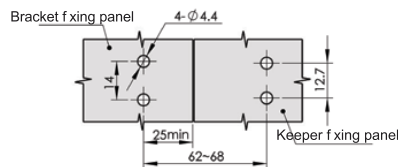
Concealed type



With anti-loose buckle



Without anti-loose buckle



Cut out

DK602



Main material and finish: Electrolysis polished stainless steel or zinc-plated steel

Performance parameter:
Maximum static load: 430N

Specification	Exposed type			
	Stainless steel		Steel	
	Model	ERP	Model	ERP
Without anti-loose hook	DK602-1ES	DK602S4A000001	DK602-1E	DK602F3D000001
With anti-loose hook	DK602-3B-1ES	DK602S4A000003	DK602-3B-1E	DK602F3D000004
Specification	Concealed type			
	Stainless steel		Steel	
	Model	ERP	Model	ERP
Without anti-loose hook	DK602-1HS	DK602S4A000002	DK602-1H	DK602F3D000002
With anti-loose hook	DK602-3B-1HS	DK602S4A000004	DK602-3B-1H	DK602F3D000005