



ETERNA  
SOLUTIONS

TOGGLES & HOOKS



WWW.ITISETERNA.COM

# TOGGLE AND HOOK SERIES



DKS



DK601



DK602



DK603



DK604



DK605



DK606



DK609



DK610



DK611



DK615



DK617



DK618



DK623



DK624



DK634



DK635



DK636-1



DK639



DK725-3B

Accessories

Electronic lock

Handle lock

Cylinder lock

Plane lock

Rod control lock

Panel lock

Toggle and hook

Handles

Door stop

Hinge

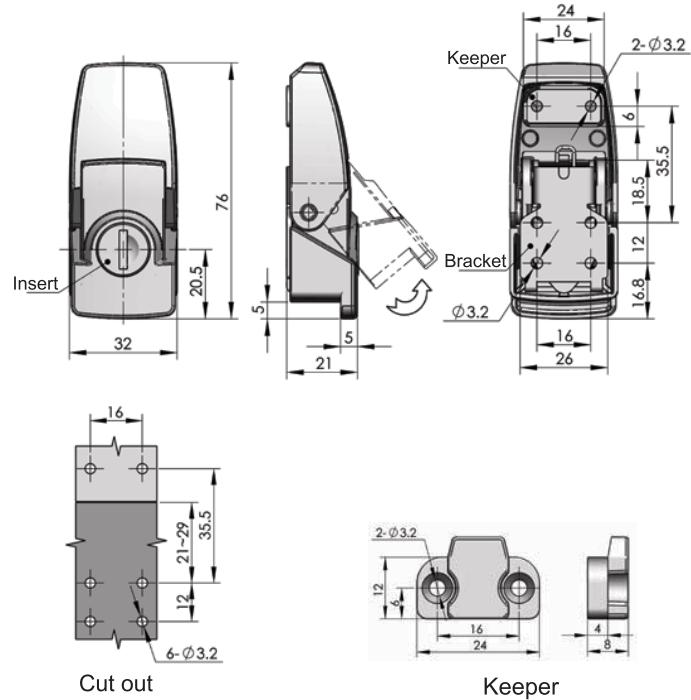
Seal gasket

DKS



Main material and finish: ZDC housing and keeper, stainless steel bracket  
Remark: Optional key K080

Performance parameter:  
Maximum static load: 700N



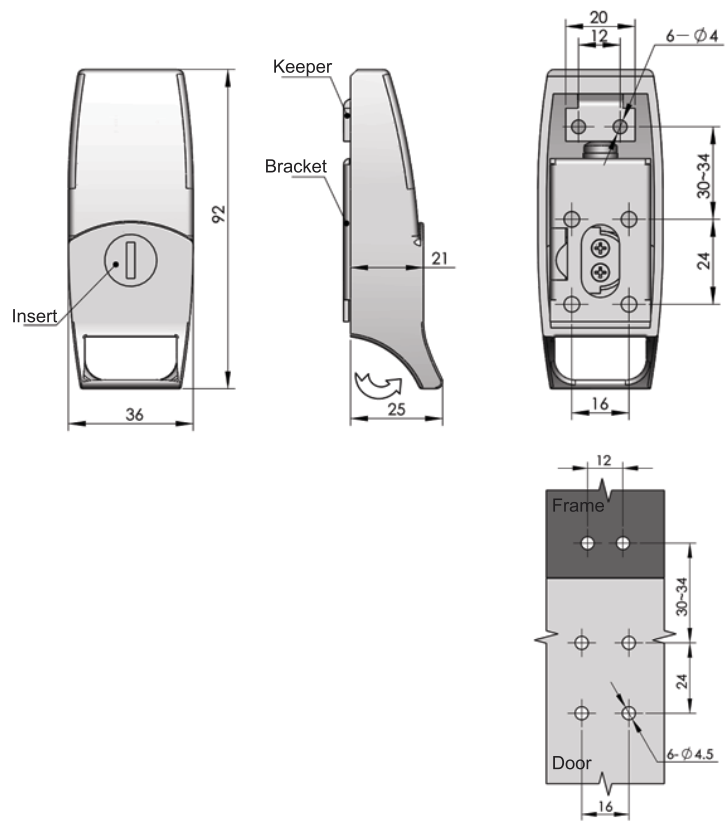
Specification	ERP	
	Bright chrome-plated	
DKS-1 With insert	DKDKSZ3B080001	DKDKSZ1A080001
DKS-2 Without insert	DKDKSZ3B000001	DKDKSZ1A000001

DK601



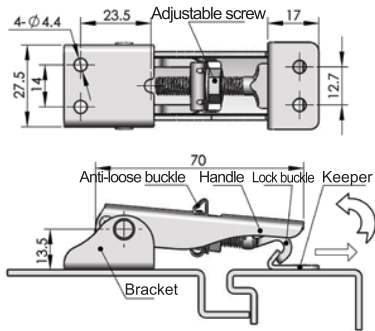
Main material and finish: Black powder coated ZDC housing, stainless steel bracket and keeper  
Remark: Optional key K080

Performance parameter:  
Maximum static load: 750N

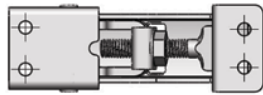


ERP	DK601Z1A080001
-----	----------------

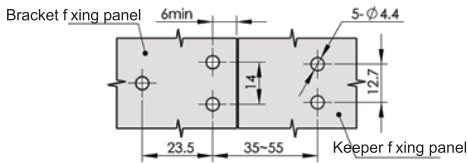
### Exposed type



With anti-loose buckle

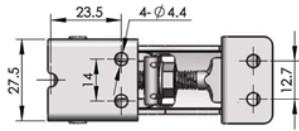


Without anti-loose buckle

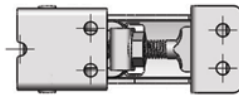


Cut out

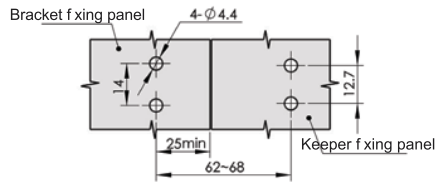
### Concealed type



With anti-loose buckle



Without anti-loose buckle



Cut out

### DK602



Main material and finish: Electrolysis polished stainless steel or zinc-plated steel

Performance parameter:  
Maximum static load: 430N

Accessories

Electronic lock

Handle lock

Cylinder lock

Plane lock

Rod control lock

Panel lock

Toggle and hook

Handleless

Door stop

Hinge

Seal gasket

Specification	Exposed type			
	Stainless steel		Steel	
	Model	ERP	Model	ERP
Without anti-loose hook	DK602-1ES	DK602S4A000001	DK602-1E	DK602F3D000001
With anti-loose hook	DK602-3B-1ES	DK602S4A000003	DK602-3B-1E	DK602F3D000004
Specification	Concealed type			
	Stainless steel		Steel	
	Model	ERP	Model	ERP
Without anti-loose hook	DK602-1HS	DK602S4A000002	DK602-1H	DK602F3D000002
With anti-loose hook	DK602-3B-1HS	DK602S4A000004	DK602-3B-1H	DK602F3D000005

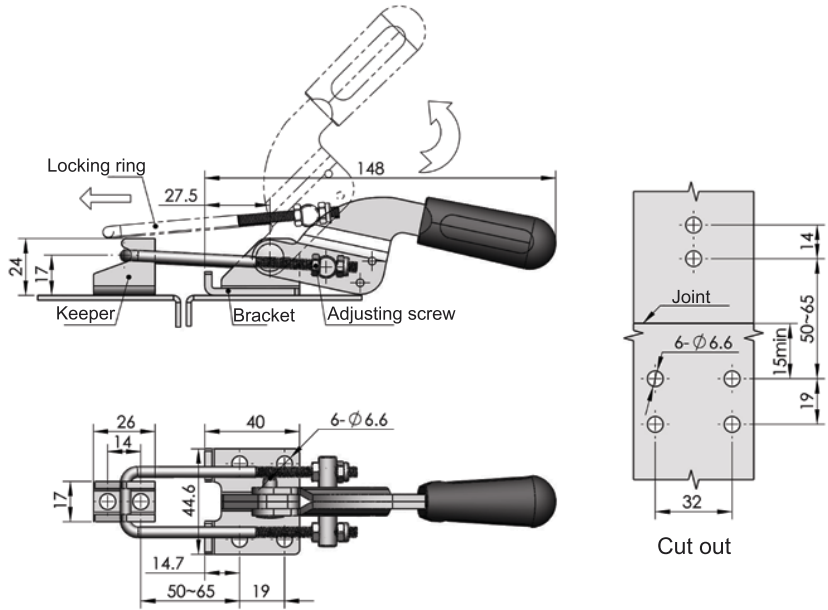
- Accessories
- Electronic lock
- Handle lock
- Cylinder lock
- Plane lock
- Rod control lock
- Panel lock
- Toggle and hook**
- Handles
- Door stop
- Hinge
- Seal gasket

### DK603



Main material and finish: Zinc-plated steel body, rubber handle

**Performance parameter:**  
Maximum static load: 1500N



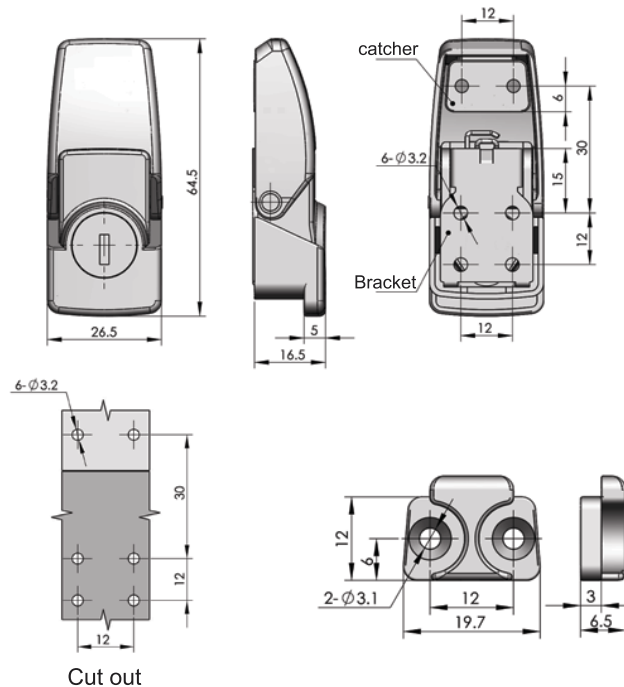
ERP DK603F3D000001

### DK604

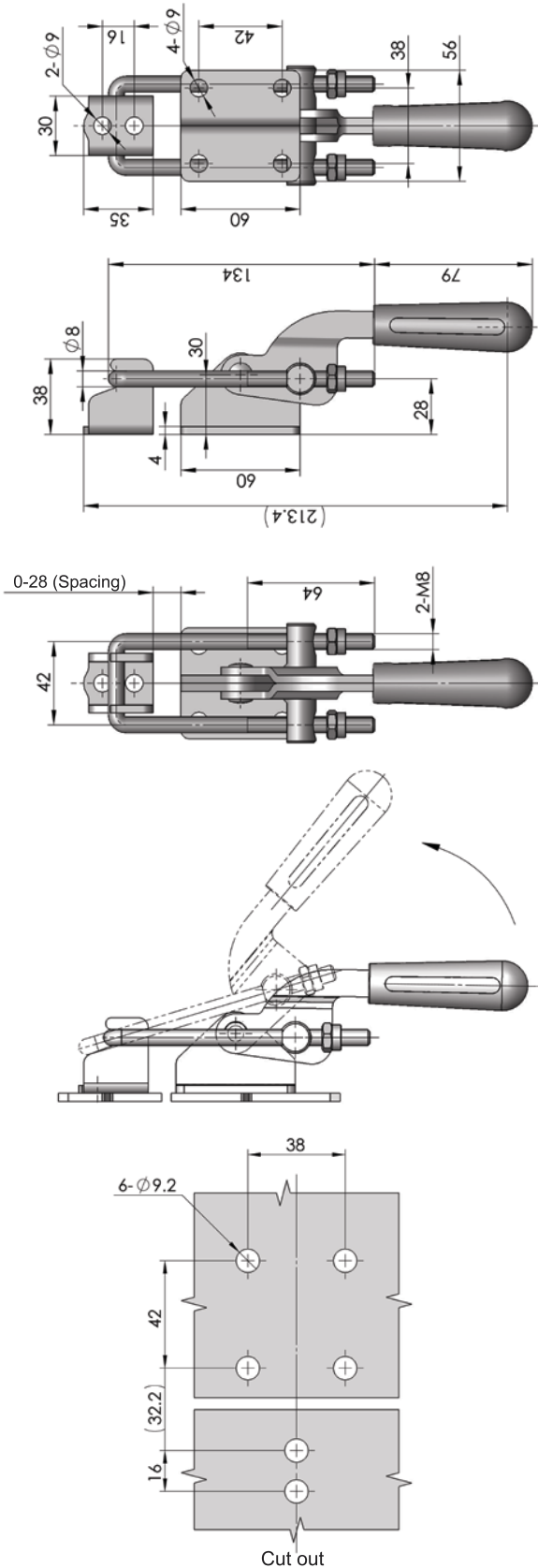


Main material and finish: ZDC housing and keeper, stainless steel bracket  
Remark: Key K080 for selection

**Performance parameter:**  
Maximum static load: 610N



Specification	ERP	
	Black powder coated	Bright chrome-plated
DK604-1 With insert	DK604Z2A080002	DK604Z3A080001
DK604-2 Without insert	DK604Z2A000001	DK604Z3A000001



DK603-3



Main material and finish:  
white zinc-plated steel

Performance parameter:  
Maximum static load: 3000N

Accessories

Electronic lock

Handle lock

Cylinder lock

Plane lock

Rod control lock

Panel lock

**Toggle and hook**

Handles

Door stop

Hinge

Seal gasket

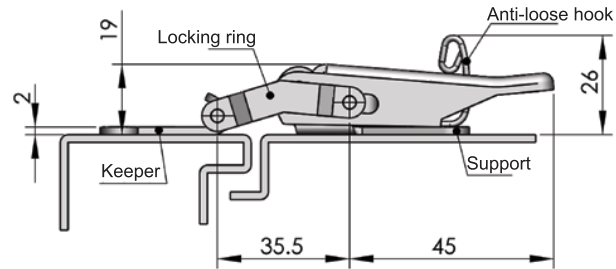
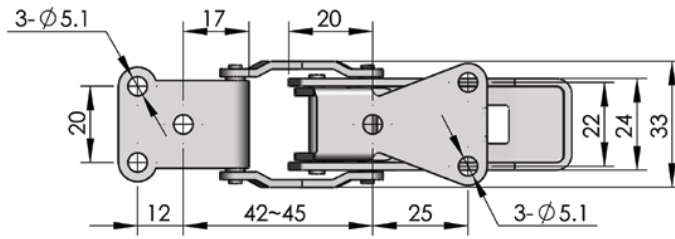
- Accessories
- Electronic lock
- Handle lock
- Cylinder lock
- Plane lock
- Rod control lock
- Panel lock
- Toggle and hook**
- Handles
- Door stop
- Hinge
- Seal gasket

**DK605**



Main material and finish: Mirror polished stainless steel

Performance parameter:  
Maximum static load: 800N



ERP

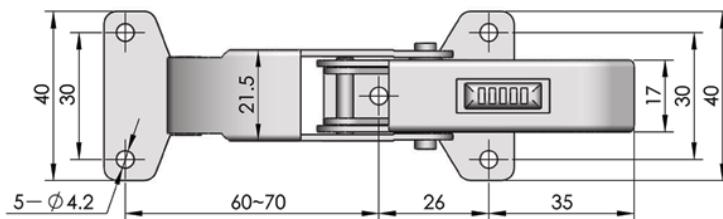
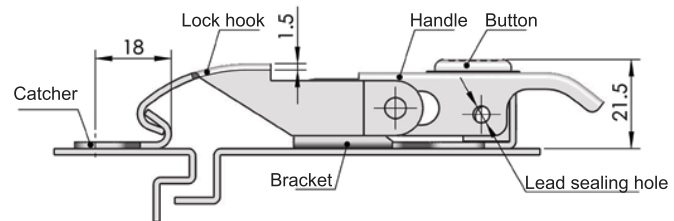
DK605S4A000004

**DK606**



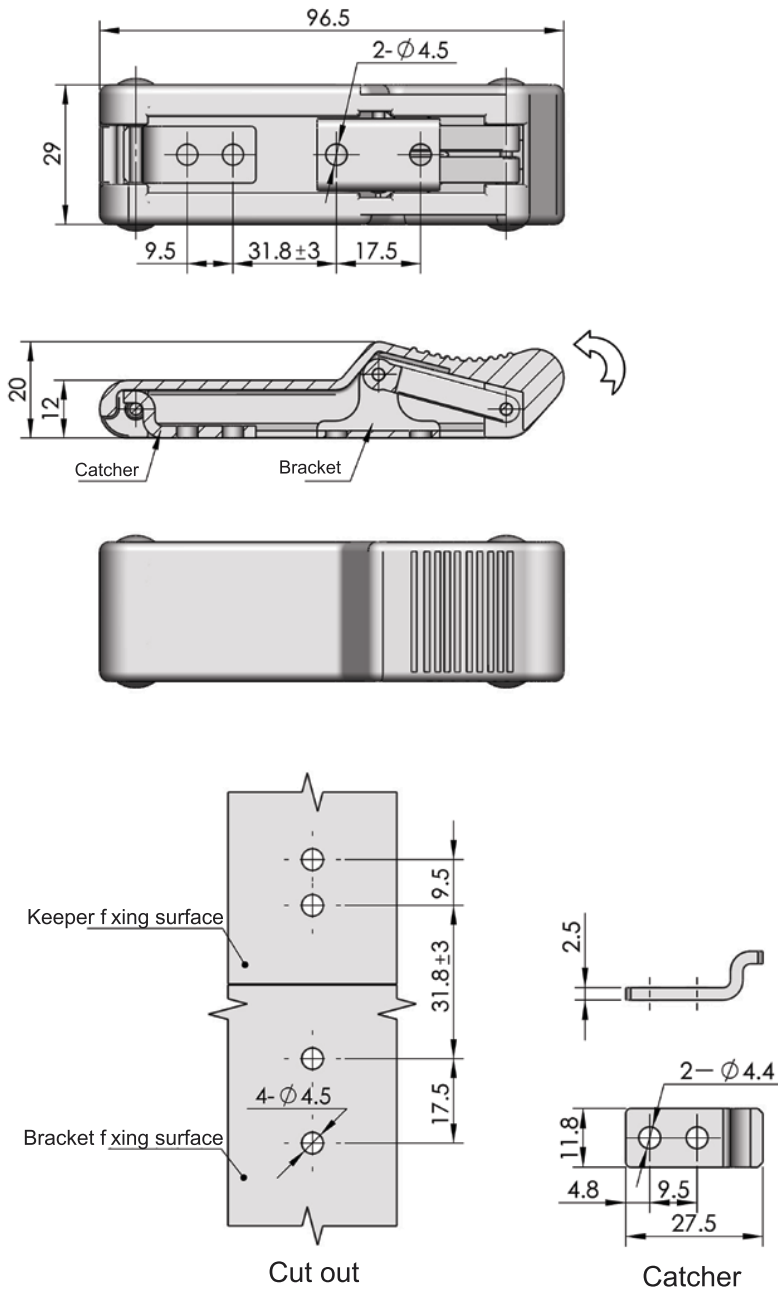
Main material and finish: Zinc-plated steel

Performance parameter:  
Maximum static load: 150N



ERP

DK606F3D000001



DK609



Main material and finish: Black rubber handle, stainless steel keeper and bracket

Performance parameter:  
Maximum static load: 45N

ERP DK609N0000001

Accessories
Electronic lock
Handle lock
Cylinder lock
Plane lock
Rod control lock
Panel lock
<b>Toggle and hook</b>
Handles
Door stop
Hinge
Seal gasket





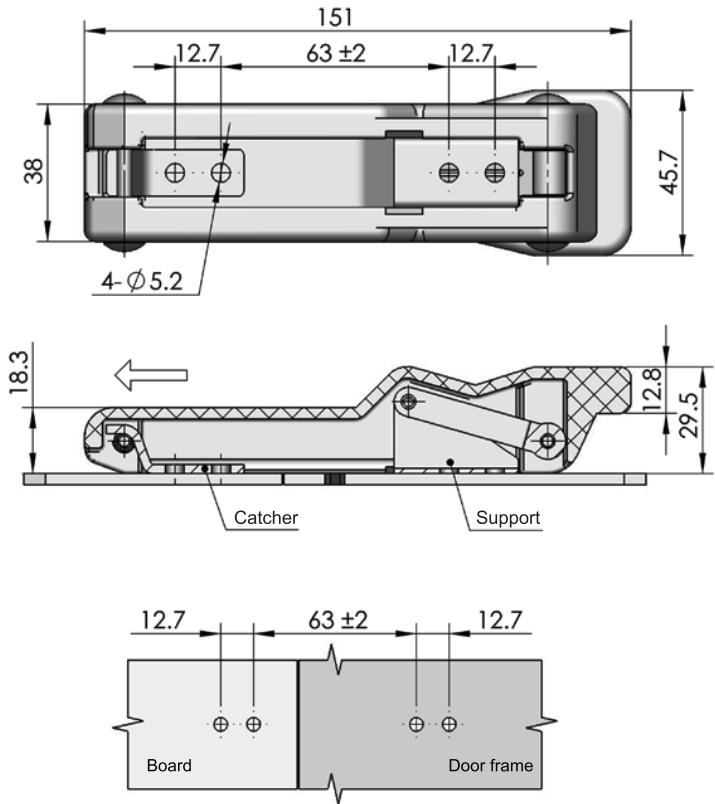
- Accessories
- Electronic lock
- Handle lock
- Cylinder lock
- Plane lock
- Rod control lock
- Panel lock
- Toggle and hook**
- Handles
- Door stop
- Hinge
- Seal gasket



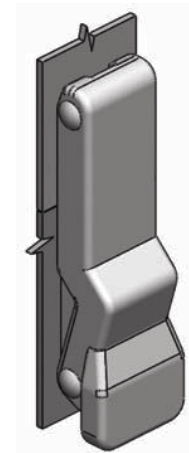
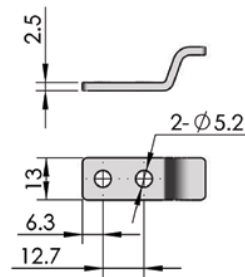
DK609-2

Main material and finish: Black rubber handle, stainless steel support and catcher

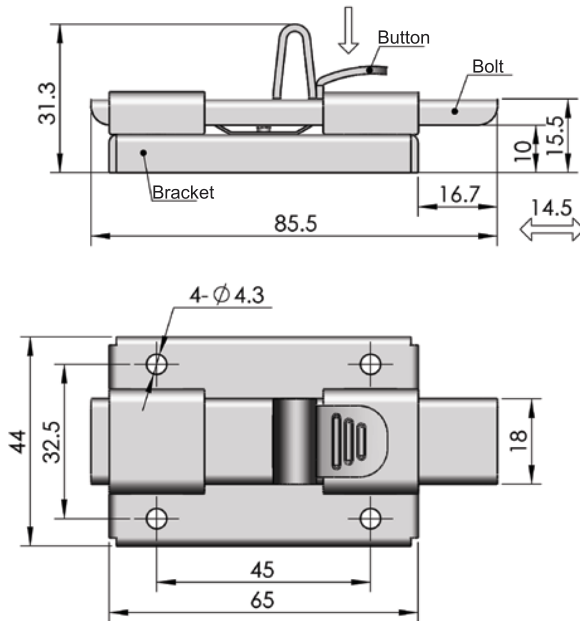
Performance parameter:  
Maximum static load: 65N



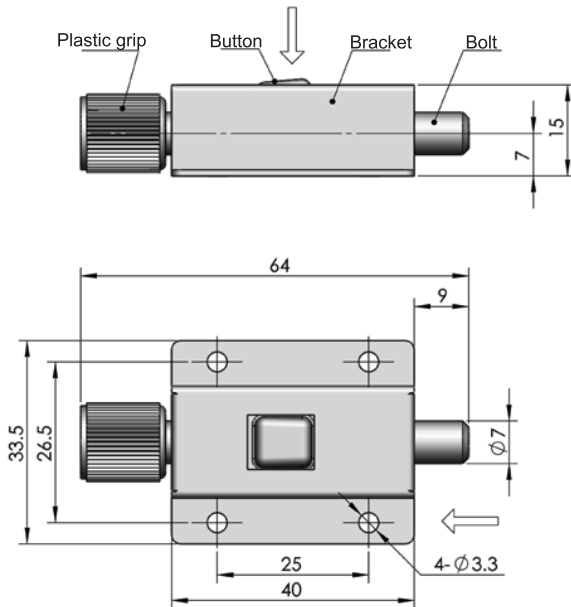
Catcher



ERP DK609N0000006



ERP DK610S00000001



ERP DK611S00000001

DK610



Main material and finish: Electrolytic stainless steel

Performance parameter:  
Maximum static load: 765N

DK611



Main material and finish: Stainless steel bracket and button, chrome plated steel bolt with plastic grip

Performance parameter:  
Maximum static load: 500N

- Accessories
- Electronic lock
- Handle lock
- Cylinder lock
- Plane lock
- Rod control lock
- Panel lock
- Toggle and hook**
- Handles
- Door stop
- Hinge
- Seal gasket

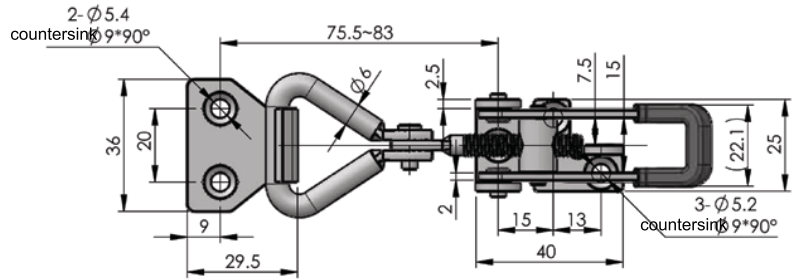
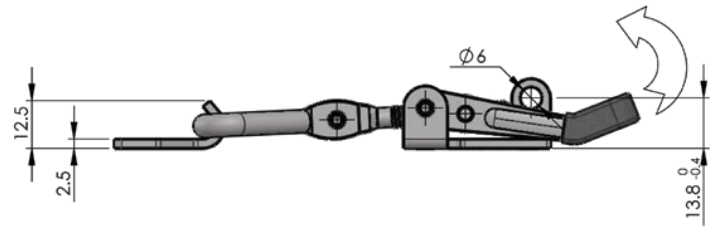
- Accessories
- Electronic lock
- Handle lock
- Cylinder lock
- Plane lock
- Rod control lock
- Panel lock
- Toggle and hook
- Handles
- Door stop
- Hinge
- Seal gasket



DK614

Main material and finish: AISI316

Performance parameter:  
Maximum static load: 750N



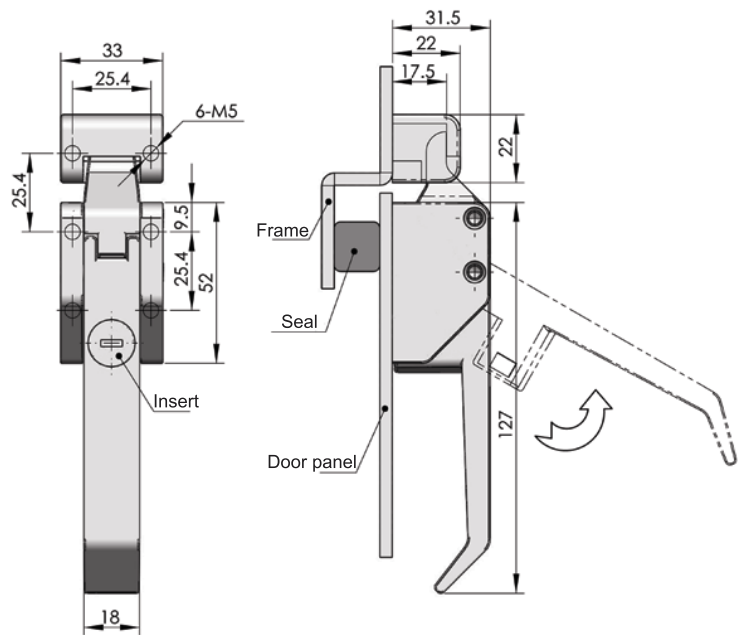
ERP DK614S4C000001



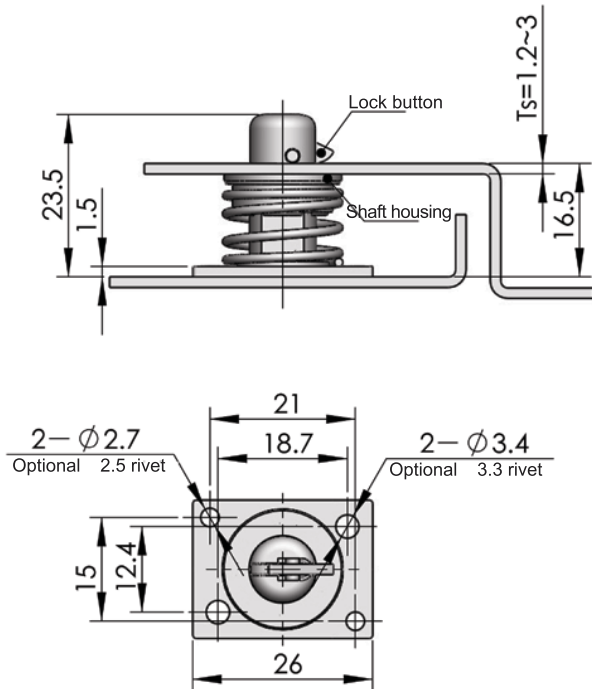
DK615

Main material and finish: spray(black light) ZDC housing,handle,keeper and stainless steel pin

Performance parameter:  
Maximum static load: 910N



	DK615-1 With insert	DK615-2 Without insert
ERP	DK615Z1A030002	DK615Z1A000001



ERP

DK616Z3D000001

DK616



Main material and finish: White zinc plated ZDC housing, stainless steel lock button and spring, plastic seal

Accessories

Electronic lock

Handle lock

Cylinder lock

Plane lock

Rod control lock

Panel lock

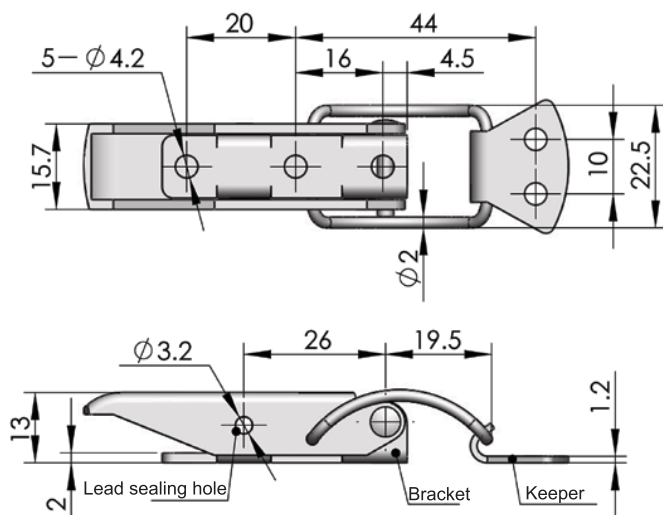
Toggle and hook

Handles

Door stop

Hinge

Seal gasket



ERP

DK617S00000001

DK617



Main material: Grinding and polishing stainless steel

Performance parameter:  
Maximum static load: 320N

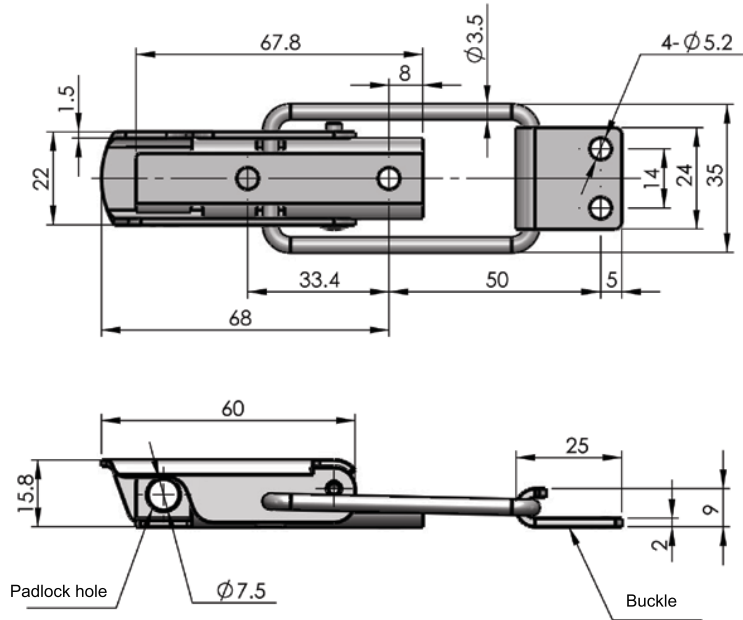
- Accessories
- Electronic lock
- Handle lock
- Cylinder lock
- Plane lock
- Rod control lock
- Panel lock
- Toggle and hook**
- Handles
- Door stop
- Hinge
- Seal gasket

**DK617-5**



Main material: Stainless steel Grinding and polishing  
Structure : Padlock version is available

Performance parameter:  
Maximum static load: 750N

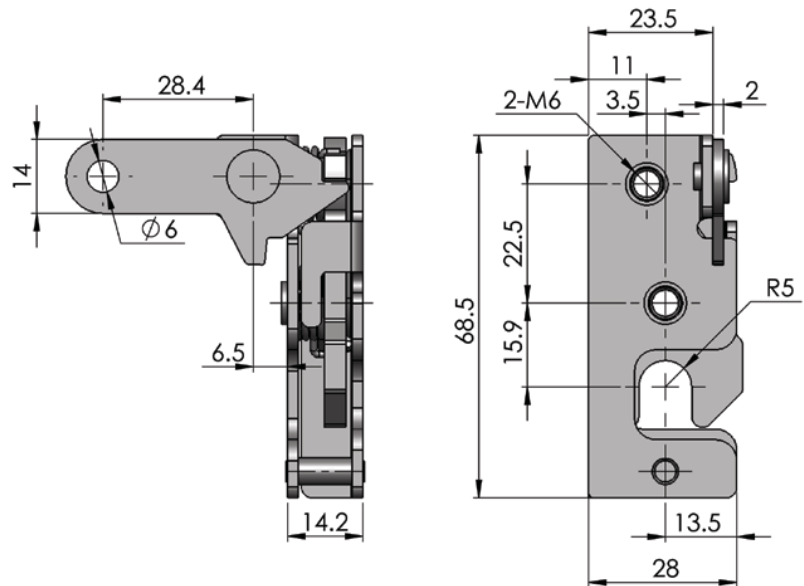


ERP      DK617S9D4001

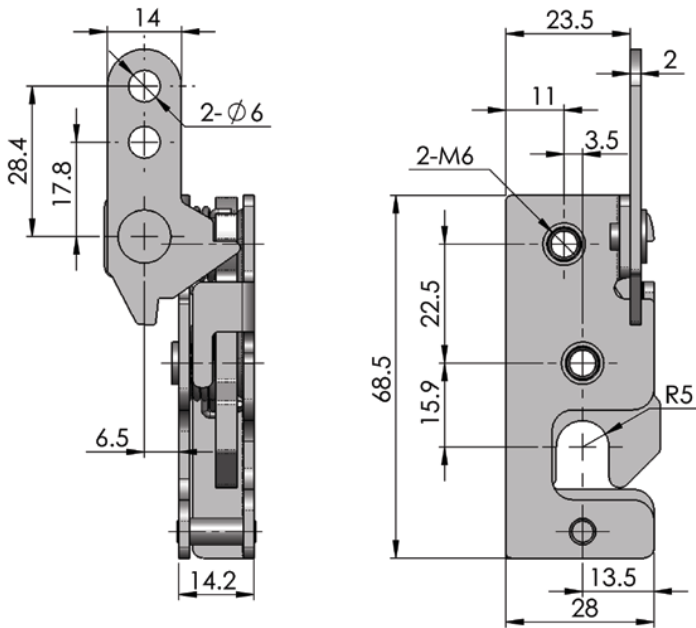
**DK618-6**



Main material: Steel  
Finish: 3+ zinc plated  
Item shown on the picture is DK618-6-Z



Specification	Model	ERP
Left hand	DK618-6-Z	DK618F3D000005
Right hand	DK618-6-Y	DK618F3D000006

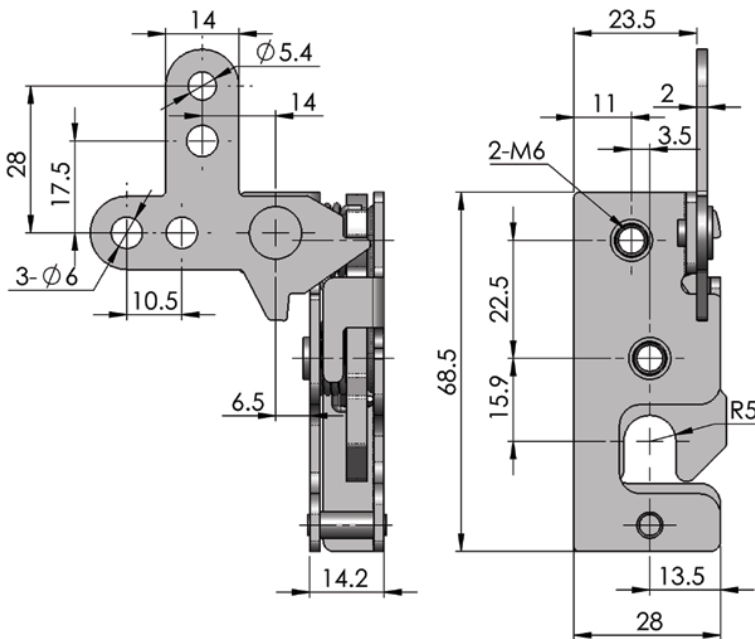


Specification	Model	ERP
Left hand	DK618-7-Z	DK618F3D000007
Right hand	DK618-7-Y	DK618F3D000008

DK618-7



Main material: Steel  
 Finish: 3+ zinc plated  
 Item shown on the picture is DK618-7-Z



Specification	Model	ERP
Left hand	DK618-8-Z	DK618F3D000009
Right hand	DK618-8-Y	DK618F3D000010

DK618-8



Main material: Steel  
 Finish: 3+ zinc plated  
 Item shown on the picture is DK618-8-Z

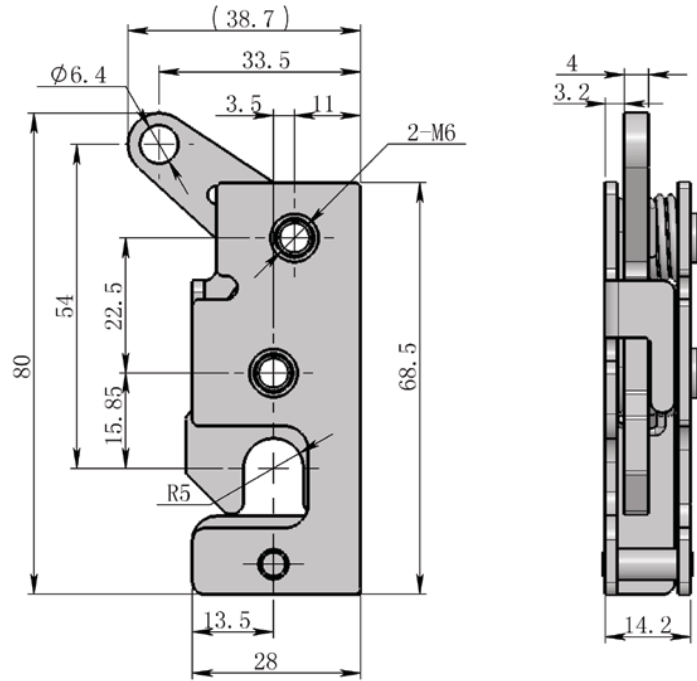
- Accessories
- Electronic lock
- Handle lock
- Cylinder lock
- Plane lock
- Rod control lock
- Panel lock
- Toggle and hook**
- Handles
- Door stop
- Hinge
- Seal gasket

- Accessories
- Electronic lock
- Handle lock
- Cylinder lock
- Plane lock
- Rod control lock
- Panel lock
- Toggle and hook
- Handles
- Door stop
- Hinge
- Seal gasket

DK618-9



Main material: Steel  
 Finish: 3+ zinc plated  
 Item shown on the picture is DK618-9-Y



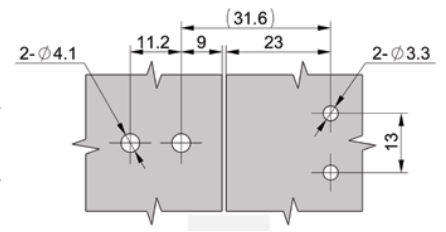
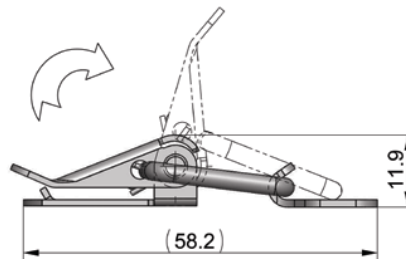
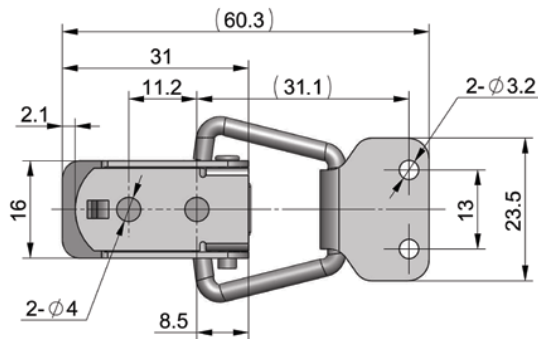
Specification	Model	ERP
Left hand	DK618-9-Z	DK618F3D000012
Right hand	DK618-9-Y	DK618F3D000011

DK619-2-1D



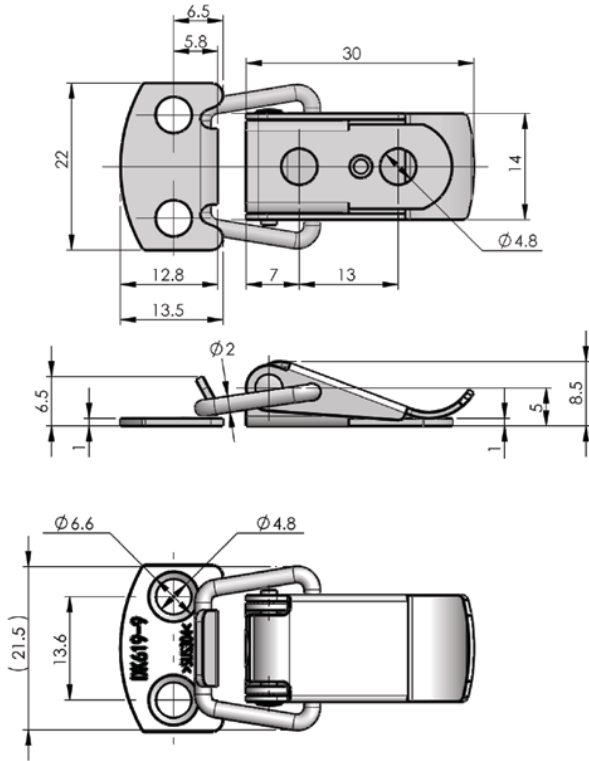
Main material and finish: Mirror polishing cover with plastic SUS304 body

Performance parameter:  
 Maximum static load: 180N



Cut out

ERP	DK619S4A000001
-----	----------------



ERP DK619S4C000001

DK619-9



Main material and finish: Stainless steel 304

Performance parameter:  
Maximum static load: 140N

Accessories

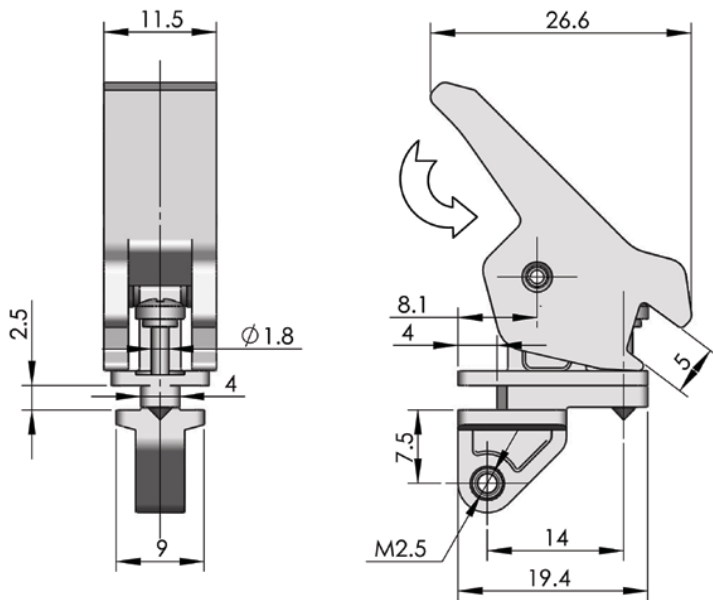
Electronic lock

Handle lock

Cylinder lock

Plane lock

Rod control lock



ERP DK623N00000001

DK623



Main material: PBT toggle, stainless steel screw

Performance parameter:  
Maximum static load: 80N

Panel lock

Toggle and hook

Handles

Door stop

Hinge

Seal gasket



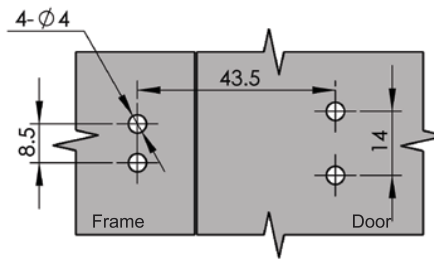
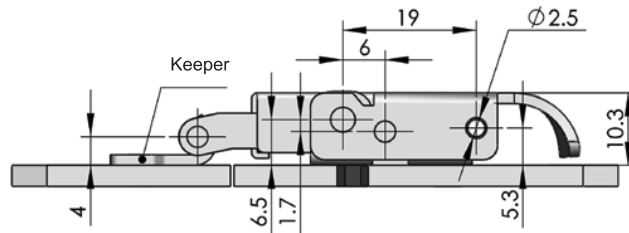
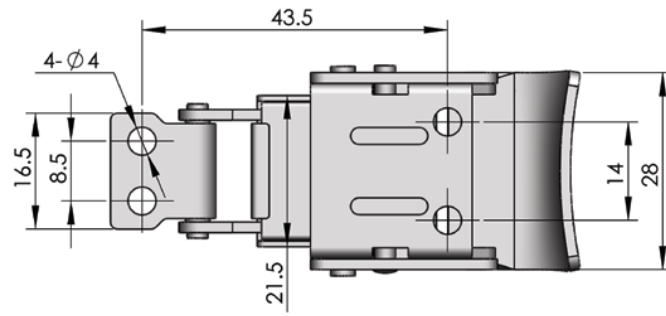
Accessories
Electronic lock
Handle lock
Cylinder lock
Plane lock
Rod control lock
Panel lock
Toggle and hook
Handles
Door stop
Hinge
Seal gasket

DK624

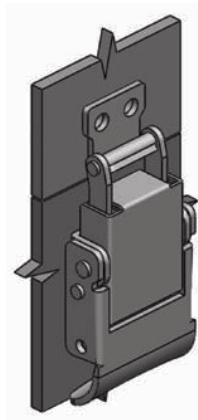


Main material and finish: Electrolytic stainless steel

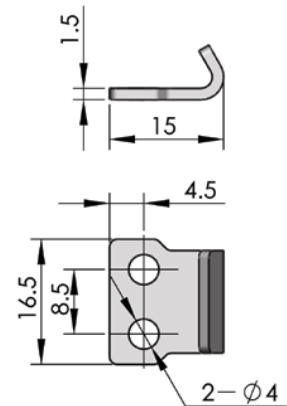
Performance parameter:  
Maximum static load: 800N



Cut out

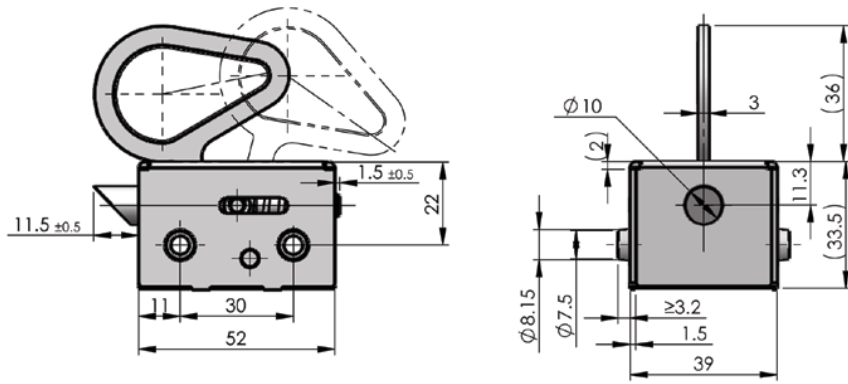


Keeper



ERP

DK624S9C000002



ERP

DK627S4C000001

DK627



Main material and finish: Stainless steel 304

Performance parameter:  
Maximum static load: 300N

Accessories

Electronic lock

Handle lock

Cylinder lock

Plane lock

Rod control lock

Panel lock

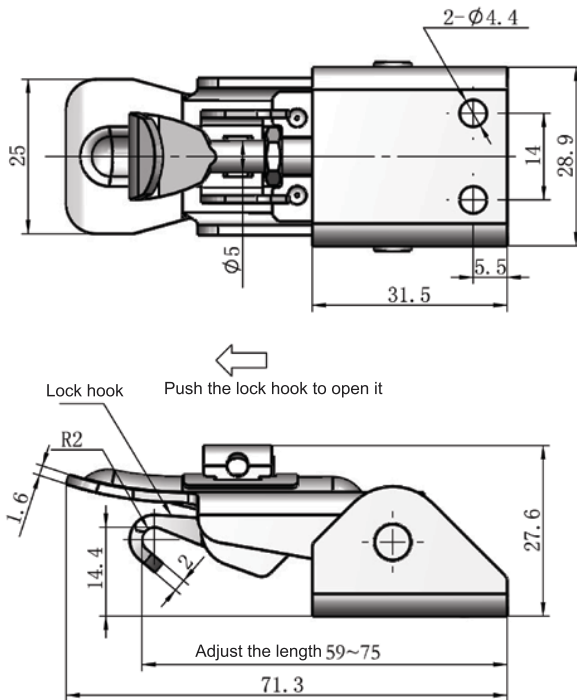
Toggle and hook

Handles

Door stop

Hinge

Seal gasket



ERP

DK631F3E000001

DK631-2



Main material: Steel  
Finish: 3+ zinc plated  
Structure: with function of anti-loose, adjustable hook length

Performance parameter:  
Maximum static load: 300N

Accessories
Electronic lock
Handle lock
Cylinder lock
Plane lock
Rod control lock
Panel lock
<b>Toggle and hook</b>
Handles
Door stop
Hinge
Seal gasket

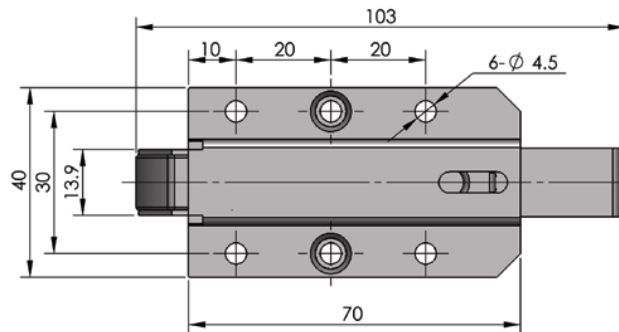
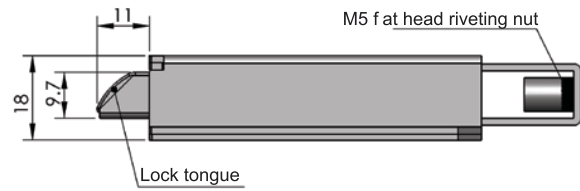
DK633-1



Main material and finish: White zinc plated steel housing, SUS304 bracket, PA lock tongue.

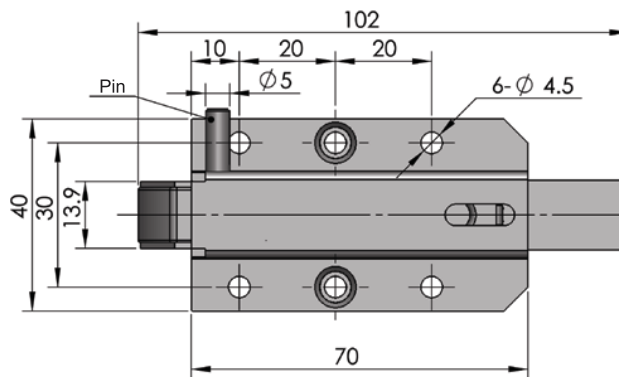
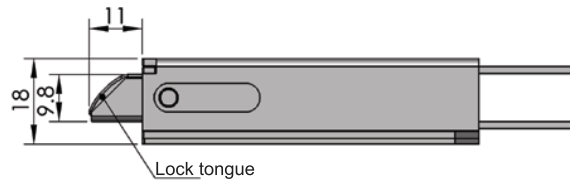
Performance parameter:  
Maximum static load: 330N

DK633-1

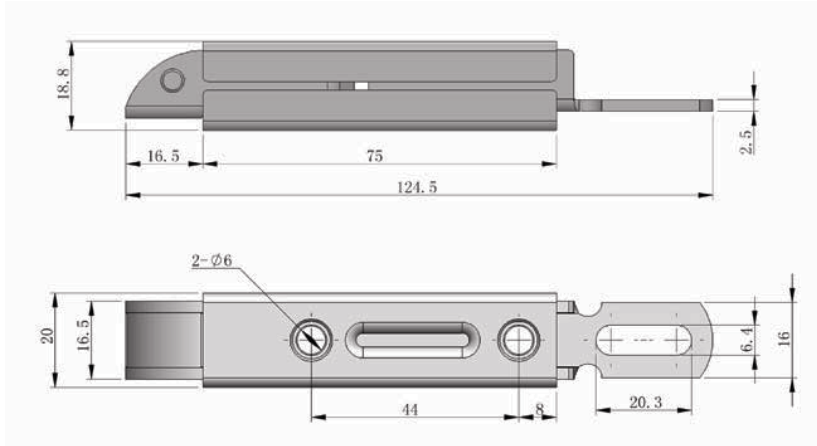


ERP DK633F3D000001

DK633-2



ERP DK633F3D000002

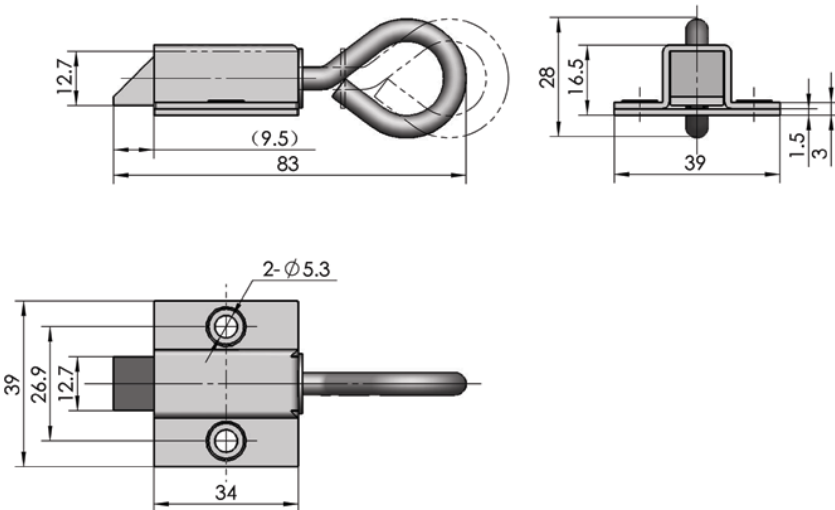


ERP DK633 F3D000004



Main material: steel lock body, stainless steel pin  
 Finish: 3+ zinc plated 48

Performance parameter:  
 Maximum static load: 320N



ERP DK634F3D000001



Main material and finish: White zinc-plated steel body

Performance parameter:  
 Maximum static load: 250N

- Accessories
- Electronic lock
- Handle lock
- Cylinder lock
- Plane lock
- Rod control lock
- Panel lock
- Toggle and hook
- Handles
- Door stop
- Hinge
- Seal gasket

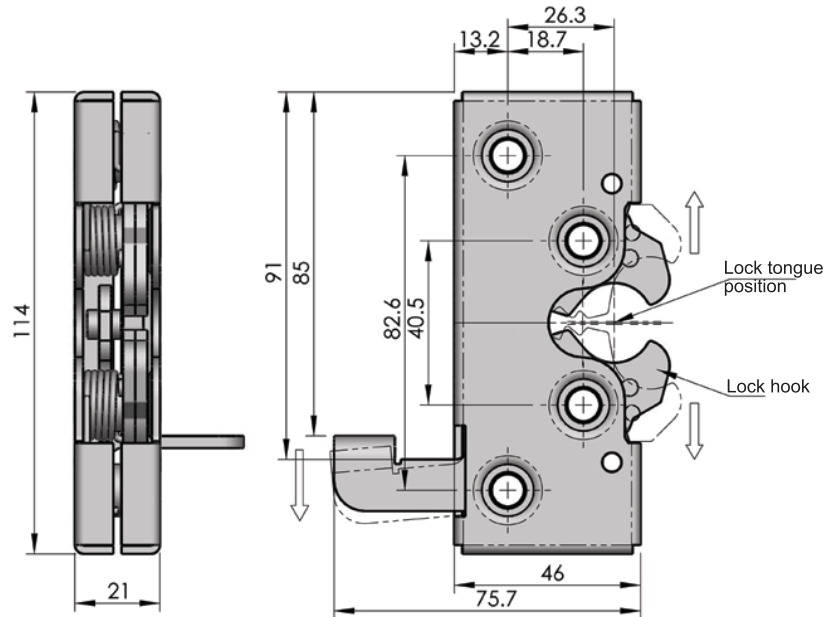
- Accessories
- Electronic lock
- Handle lock
- Cylinder lock
- Plane lock
- Rod control lock
- Panel lock
- Toggle and hook
- Handles
- Door stop
- Hinge
- Seal gasket

**DK635**



Main material and finish: 3+ zinc plated

Performance parameter:  
Maximum static load: 1000N



ERP

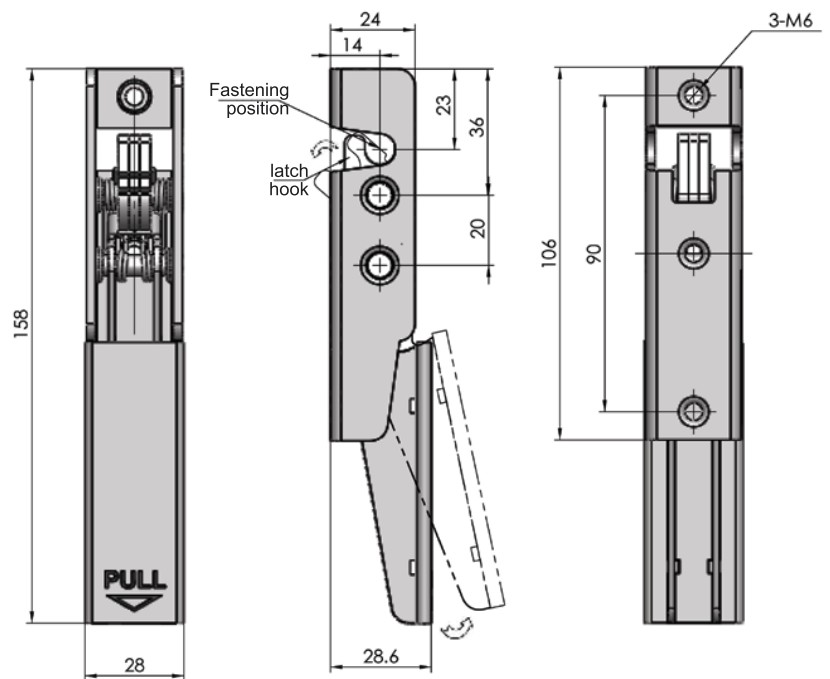
DK635F3D000001

**DK638**



Main material and finish: Wire-drawing polishing stainless steel handle, white zinc-plated steel bracket

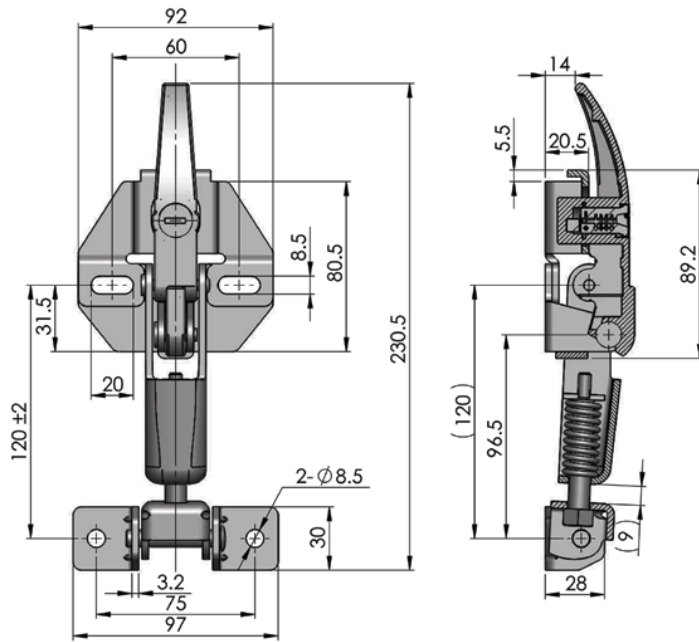
Performance parameter:  
Maximum static load: 810N



ERP

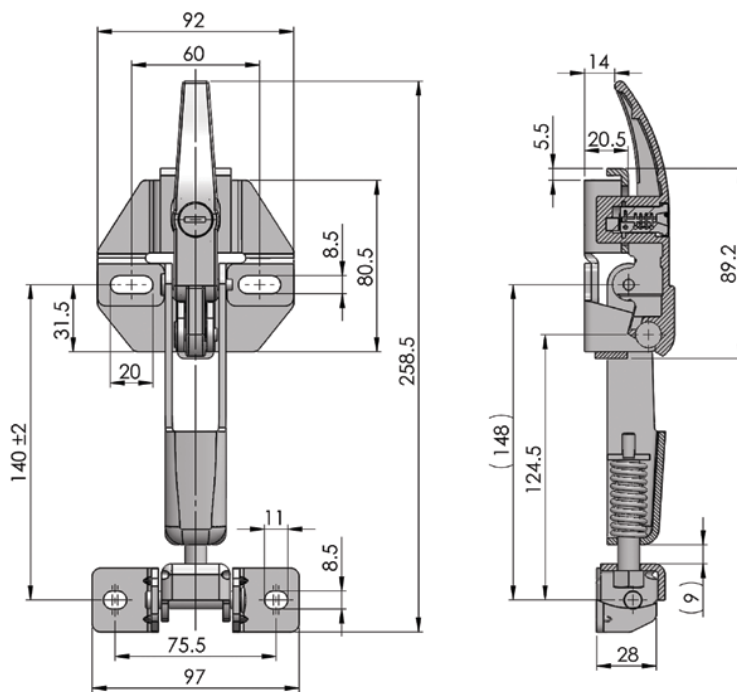
DK638S4B000001

### DK636-1



specification	with insert(with key)	without insert
ERP	DK636Z9D630001	DK636Z00000001

### DK636-2



ERP	DK636Z2A342001
-----	----------------

### DK636-1

### DK636-2



Main material and finish: 3+ zinc plated steel toggle, passivated ZDC handle  
 Product applications as picture show

Performance parameter:

Item: DK636-1

Maximum static load: 1500N

Item: DK636-2

Maximum static load: 1000N

Accessories

Electronic lock

Handle lock

Cylinder lock

Plane lock

Rod control lock

Panel lock

Toggle and hook

Handles

Door stop

Hinge

Seal gasket

### Application example



Accessories

Electronic lock

Handle lock

Cylinder lock

Plane lock

Rod control lock

Panel lock

Toggle and hook

Handles

Door stop

Hinge

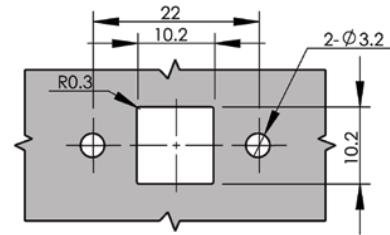
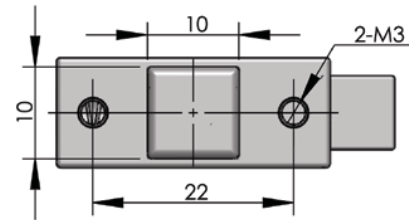
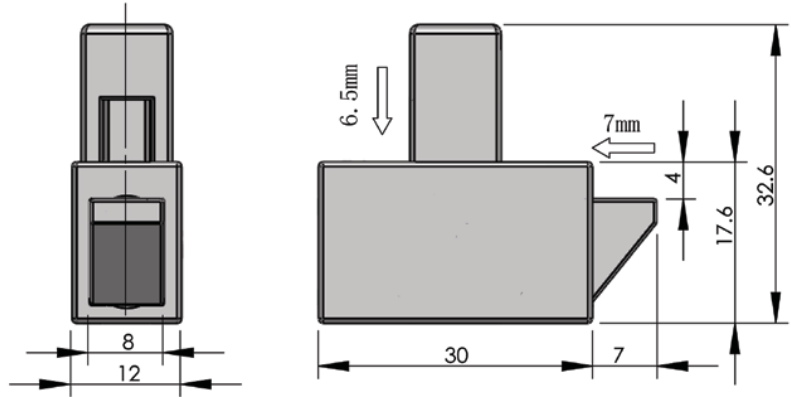
Seal gasket

DK637



Main material and finish: Nickel plated ZDC housing, button and lock tongue  
 Application: When the button presses the form 6.5, the lock tongue shrinks to 7

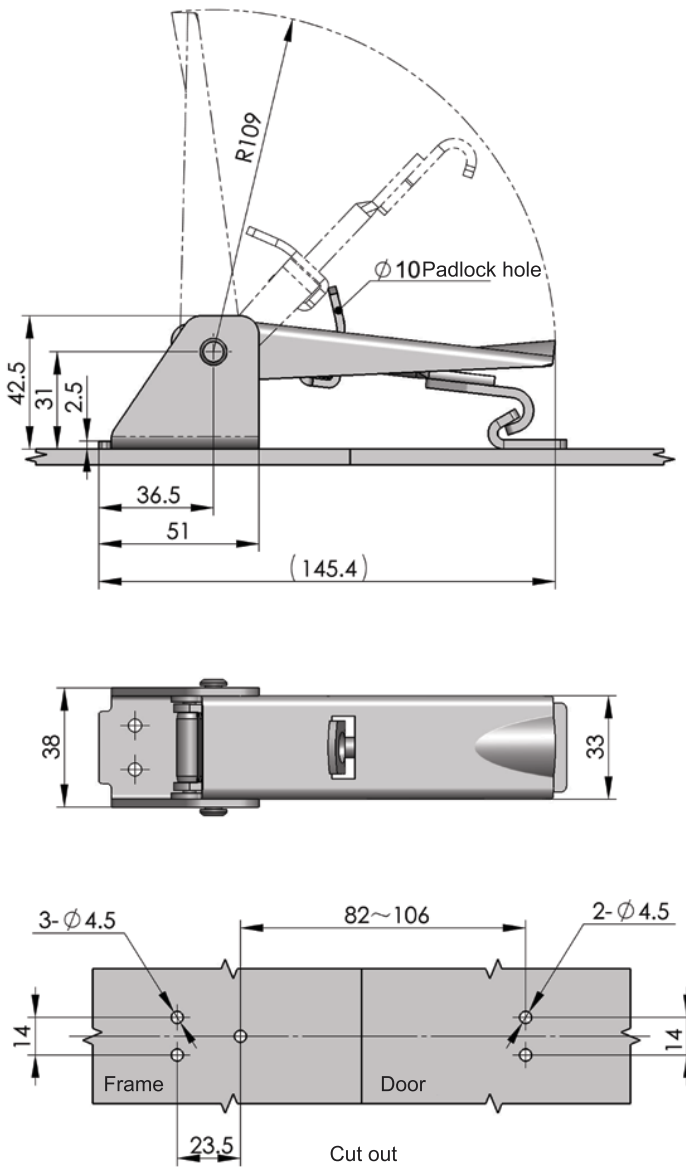
Performance parameter:  
 Maximum static load: 400N



Cut out

ERP

DK637Z3G000001



DK639



Main material and finish: Trivalent white-zinc steel body

Performance parameter:  
Maximum static load: 570N

Accessories

Electronic lock

Handle lock

Cylinder lock

Plane lock

Rod control lock

Panel lock

**Toggle and hook**

Handles

Door stop

Hinge

Seal gasket

ERP

DK639F3D000001





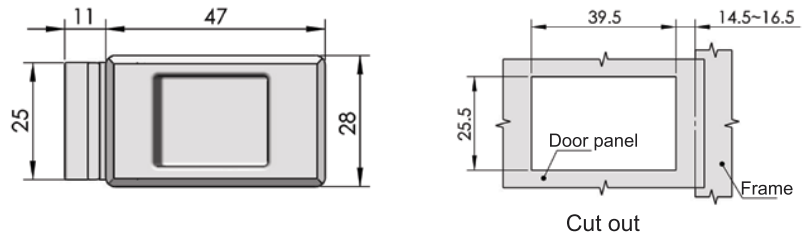
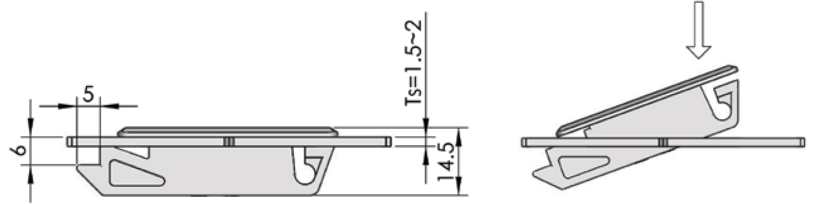
- Accessories
- Electronic lock
- Handle lock
- Cylinder lock
- Plane lock
- Rod control lock
- Panel lock
- Toggle and hook**
- Handles
- Door stop
- Hinge
- Seal gasket



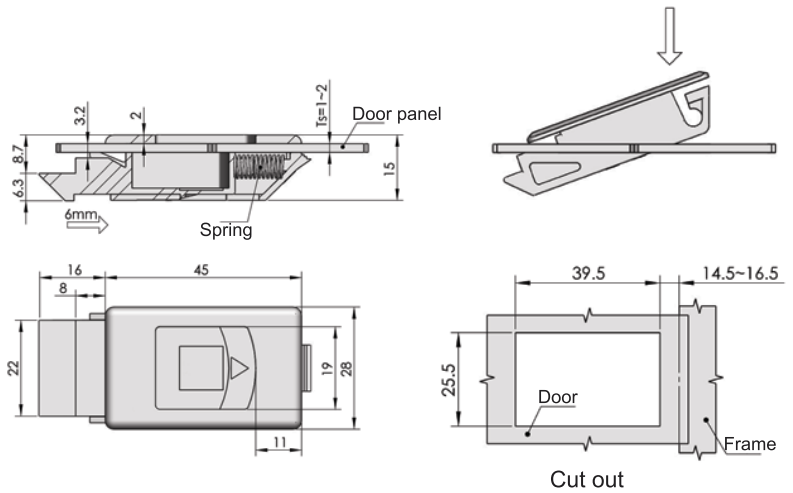
Main material: ABS toggle or PA toggle

Performance parameter:  
Maximum static load: 300N

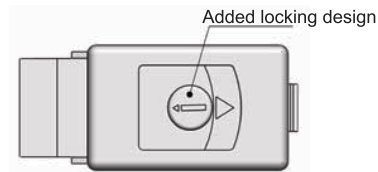
DK725-1  
DK725-2



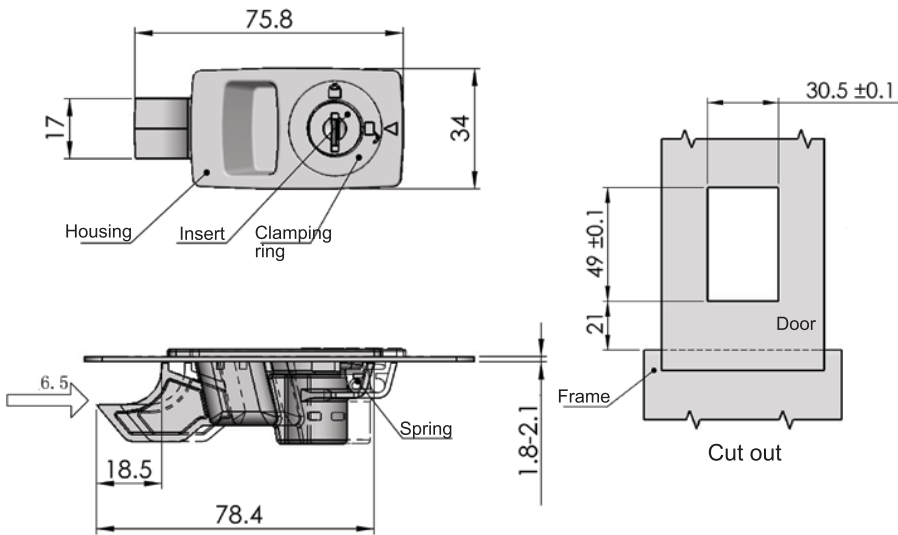
DK725-3B



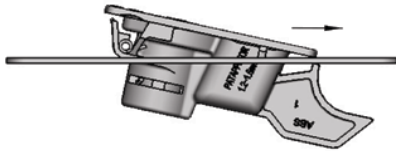
DK725-3C



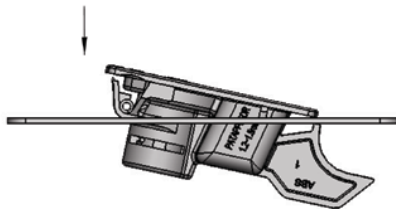
Specification	Model	ERP	
		ABS Silver	ABS Black
T=1.5	DK725-1	DK725N00000001	DK725N00000002
T=2	DK725-2	DK725N00000003	DK725N00000004
T=1~2	DK725-3B	DK725N00000010	DK725N00000006
T=1~2	DK725-3C	DK725N00000011	DK725N00000007



Insert the front of the toggle to the hole and press it



Make the door in the right position



DK725-5




Main material and finish: stainless steel housing module, hard chrome plated steel insert nodule

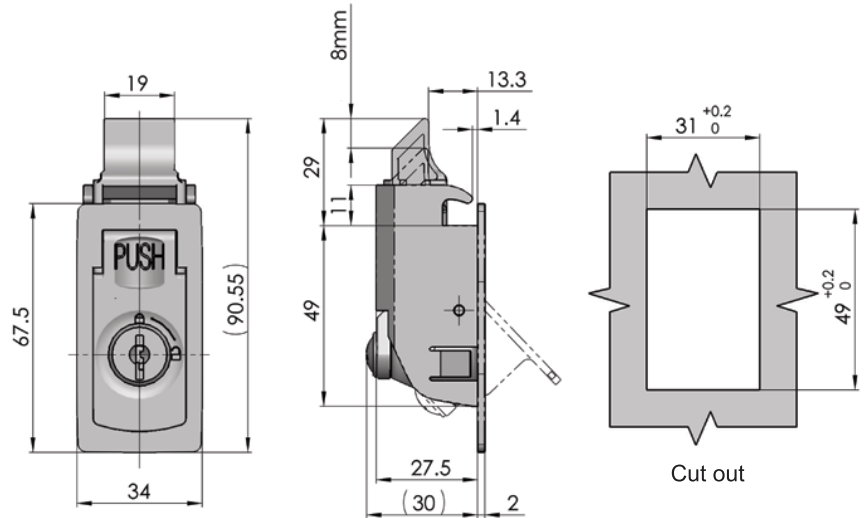
Application: RH or LH door has different toggle. It applies to car battery latch system. Release lever designed by user

Performance parameter:  
Maximum static load: 500N


ERP DK725N00140001

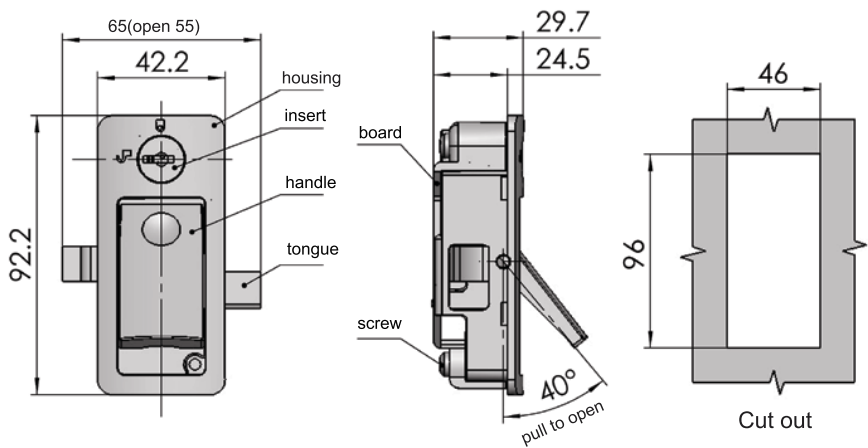
- Accessories
- Electronic lock
- Handle lock
- Cylinder lock
- Plane lock
- Rod control lock
- Panel lock
- Toggle and hook**
- Handles
- Door stop
- Hinge
- Seal gasket

Accessories	<p><b>DK725-7</b></p>  <p>Main material and finish: black PA Application: 90° clockwise rotate the key to open Remark: Default black K148 key</p> <p>Performance parameter: Maximum static load: 245N</p>
Electronic lock	
Handle lock	
Cylinder lock	
Plane lock	
Rod control lock	



ERP DK725N00148001

Panel lock	<p><b>DK725-8</b></p>  <p>Main material: ABS+PC housing,handle,PC board,insert,ABS latch,tongue,stainless steelscrew Finish: black Instructure Turn the insert to the left, pull the handle for open Remark: default key K164</p> <p>Performance parameter: Maximum static load: 480N</p>
Toggle and hook	
Handles	
Door stop	
Hinge	
Seal gasket	



ERP DK725N00164001