



ETERNA
SOLUTIONS

ROD CONTROL LOCKS

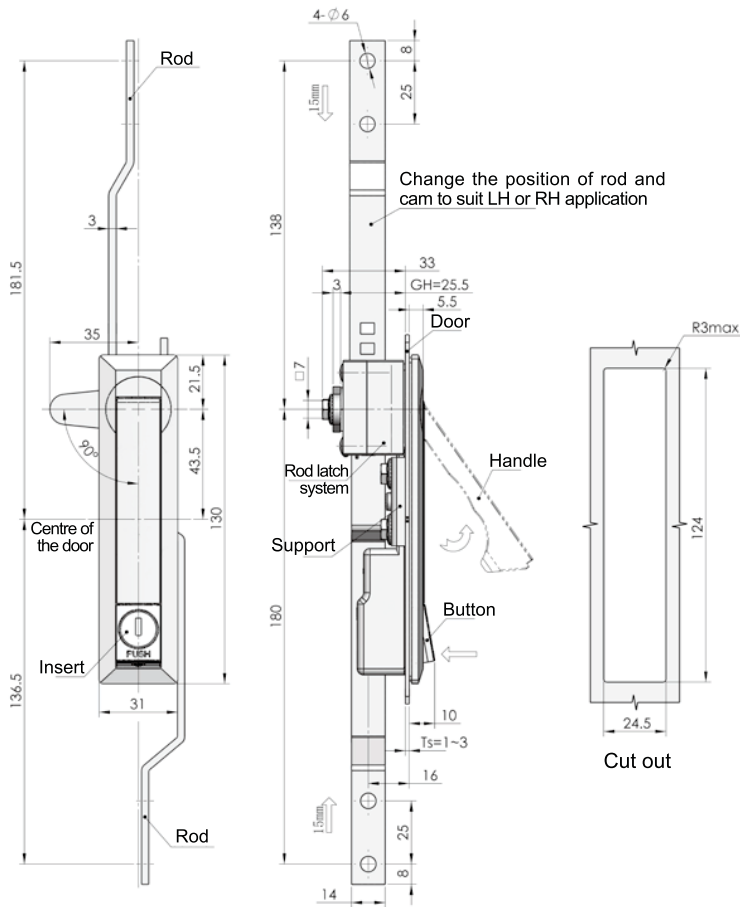


WWW.ITISETERNA.COM

ROD CONTROL LOCK SERIES

 MS731-1	 MS820	 MS820-1A	 MS821	 MS731-6	 MS828	 MS829
 MS830	 MS831-1	 MS832-1	 MS834-1	 MS835-1	 MS836-1	 MS840-1
 MS846-1	 MS848-1	 MS840-A	 MS840-B	 MS840-C	 MS848-B	 MS848-4A
 MS875-1	 MS875-1A	 MS865	 MS876	 MS851	 MS852	 MS853
 MS867	 MS855	 MS855-3	 MS882	 MS810-2	 MS889	

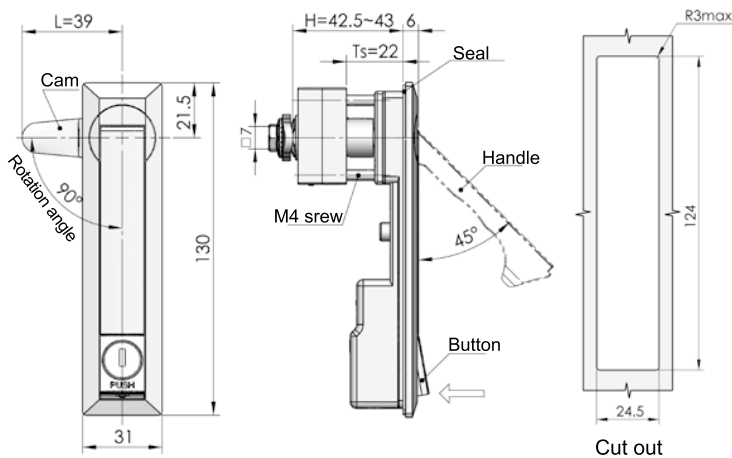
MS731-1



	Black painted housing, handle	Nanometer painted housing, handle
ERP	MS731Z2A060001	MS731Z2B060001

Remark: Default cam S1A3500

MS731-2



	Black painted housing, handle	Nanometer painted housing, handle
ERP	MS731Z2A060003	MS731Z2B060003

Remark: Default cam S1A3900

MS731-1



MS731-2



Main material and finish: ZDC housing, handle, button and rod latch, white zinc-plated steel cam and rod

Application: 90 degree rotation to open or close

Remark: Default key K060

Performance parameter:

Handle load tension capability: $\phi 350N$

Handle load torque capability: $\phi 25N.m$

- Accessories
- Electronic lock
- Handle lock
- Cylinder lock
- Plane lock
- Rod control lock
- Panel lock
- Toggle and hook
- Handles
- Door stop
- Hinge
- Seal gasket

- Accessories
- Electronic lock
- Handle lock
- Cylinder lock
- Plane lock
- Rod control lock
- Panel lock
- Toggle and hook
- Handles
- Door stop
- Hinge
- Seal gasket

MS731-3

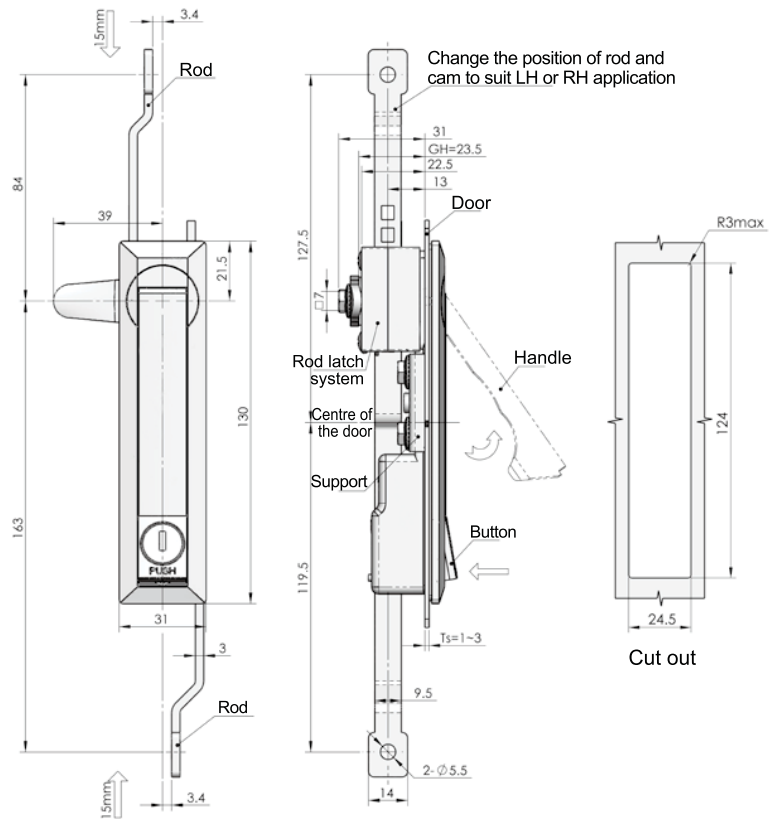


MS731-4



Main material and finish: ZDC housing, handle, button and rod latch, white zinc-plated steel cam
 Application: 90 degree rotation to open or close
 Remark: Default Key K060
 Performance parameter:
 Handle load tension capability: $\phi 350N$
 Handle load torque capability: $\phi 25N.m$

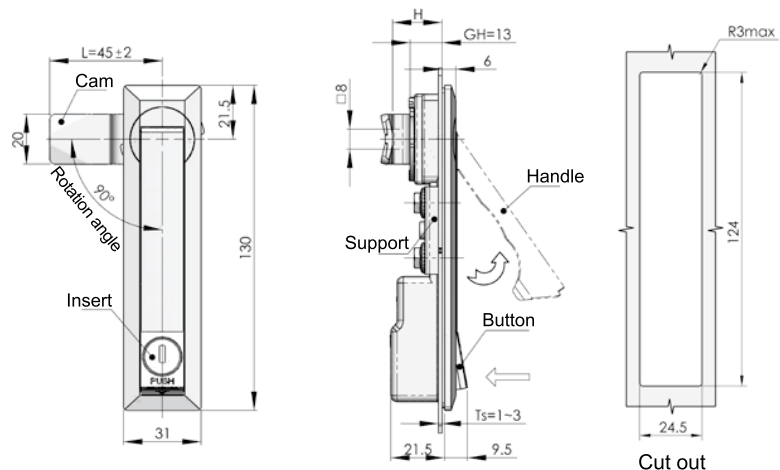
MS731-3



	Black painted housing, handle	Nanometer painted housing, handle
ERP	MS731Z2A060016	MS731Z2B060005

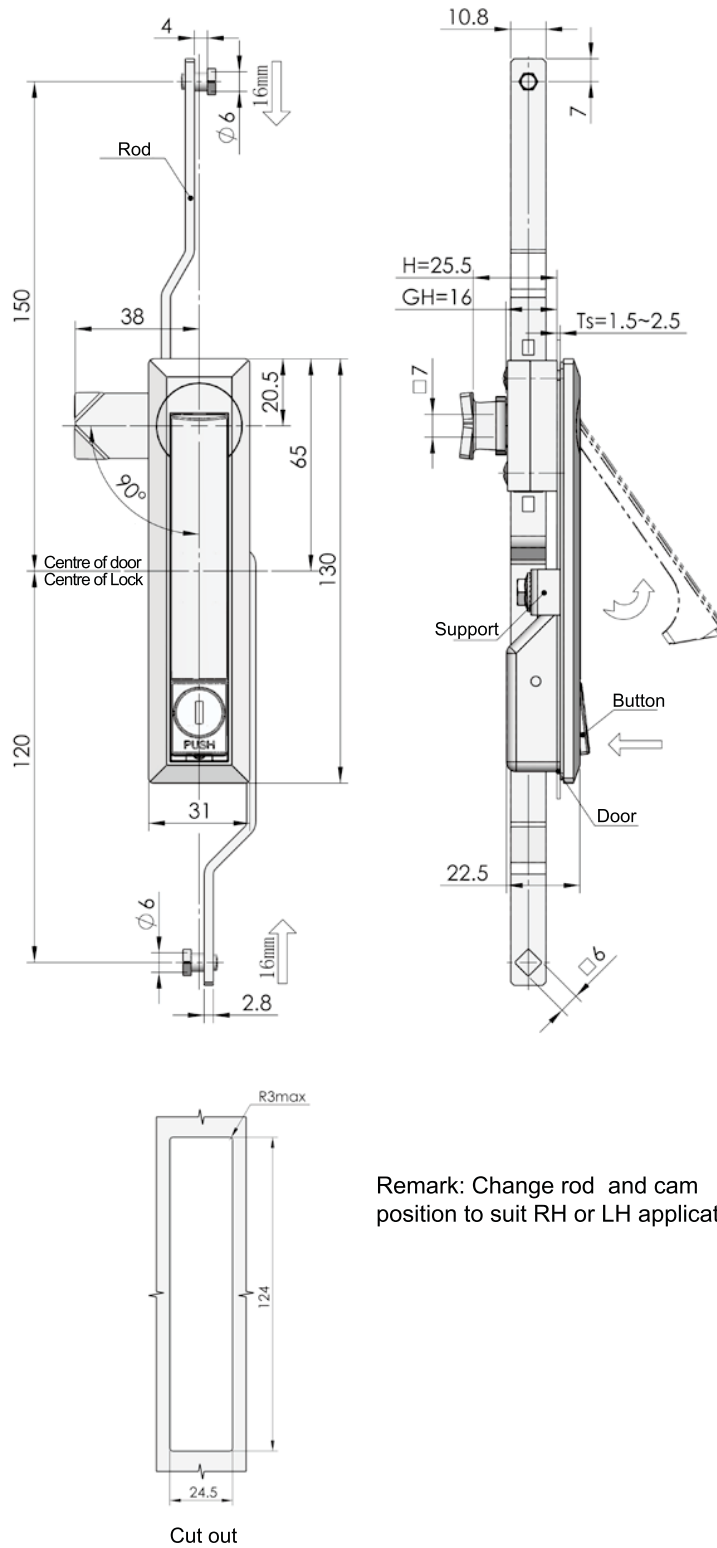
Remark: Default cam S1A3900

MS731-4



	Black painted housing, handle	Nanometer painted housing, handle
ERP	MS731Z2B060027	MS731Z2B060023

Remark: Default cam S1B4507 (Optional cam 8*8)



Remark: Change rod and cam position to suit RH or LH application

MS731-6



Main material and finish: Nanometer-painted ZDC housing, handle, button and support, white zinc-plated steel cam and rod latch, steel rod

Application: Insert 180 degree rotation to open, press the button, the handle bounce automatically, rotation handle to open or close the door plate

Remark: Default key K060

Performance parameter:

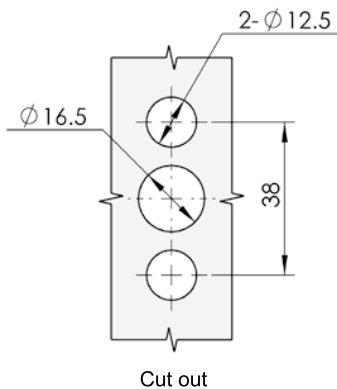
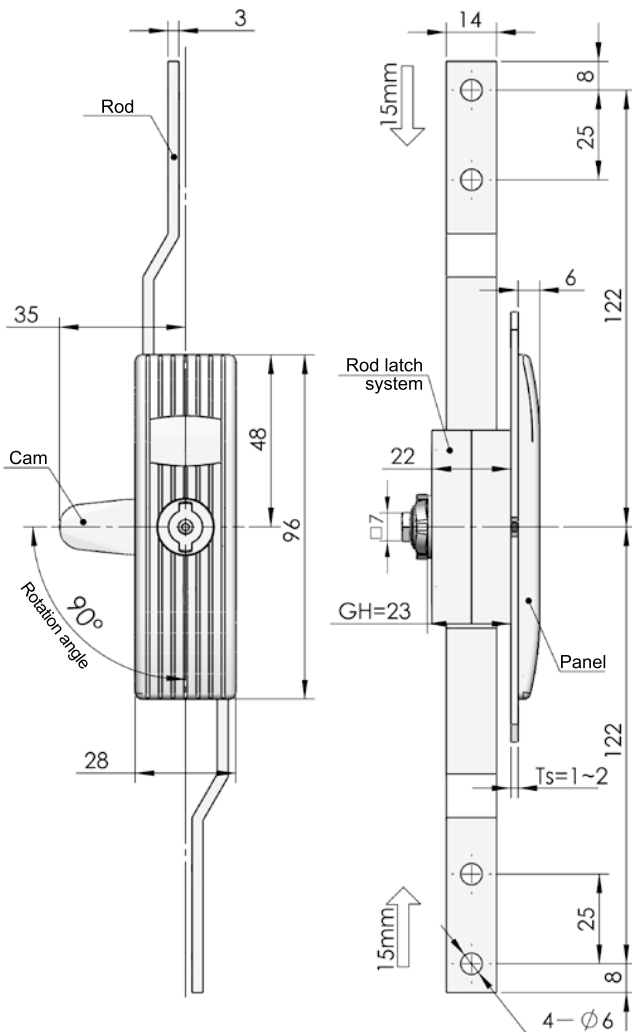
Handle load tension capability: $\phi 350N$

Handle load torque capability: $\phi 25N.m$

Specification	Model	ERP
LH	MS731-6-Z	MS731Z2B060007
RH	MS731-6-Y	MS731Z2B060008

Remark: Default cam S1A3810

- Accessories
- Electronic lock
- Handle lock
- Cylinder lock
- Plane lock
- Rod control lock
- Panel lock
- Toggle and hook
- Handles
- Door stop
- Hinge
- Seal gasket



Remark: Keep rod and rod latch in place while removing the cam and insert, rotating the rod latch in 180° to suit RH or LH application

MS820-1A



Main material and finish: Nanometer painted ZDC insert and ABS panel, white zinc-plated steel cam and rod latch
 Application: Quarter-turn rotation to open or close
 Remark: Optional key K15-1

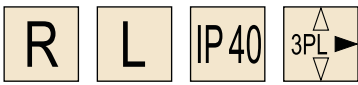
Performance parameter:
 input torque: $\phi 3N.m$

ERP MS820N2BT03001
 Remark: Default cam S1A3500

- Accessories
- Electronic lock
- Handle lock
- Cylinder lock
- Plane lock
- Rod control lock
- Panel lock
- Toggle and hook
- Handles
- Door stop
- Hinge
- Seal gasket

- Accessories
- Electronic lock
- Handle lock
- Cylinder lock
- Plane lock
- Rod control lock
- Panel lock
- Toggle and hook
- Handles
- Door stop
- Hinge
- Seal gasket

MS821

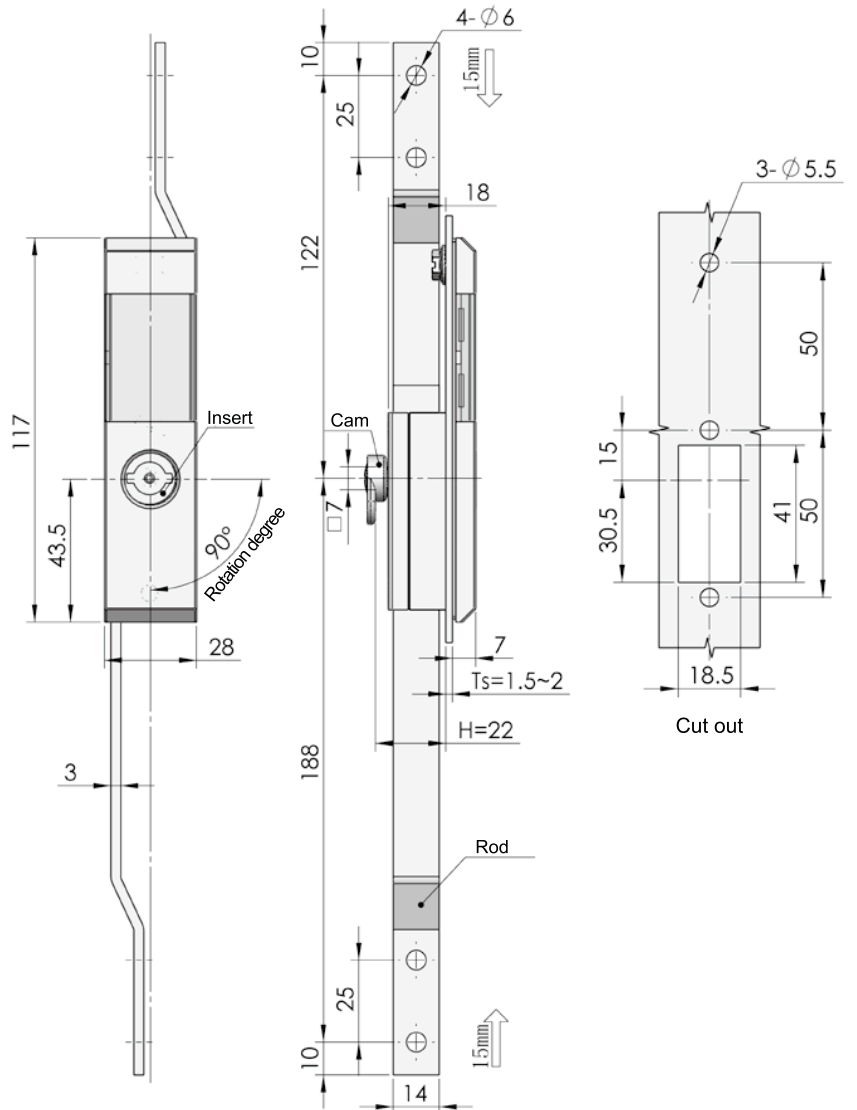


Main material and finish: Bright chrome plated ZDC insert, yellow gray ABS panel, white zinc-plated steel cam and ZDC rod latch, steel rod

Application: Insert quarter-turn rotation combines with rod latch system to open or close

Remark: Optional key K15-1

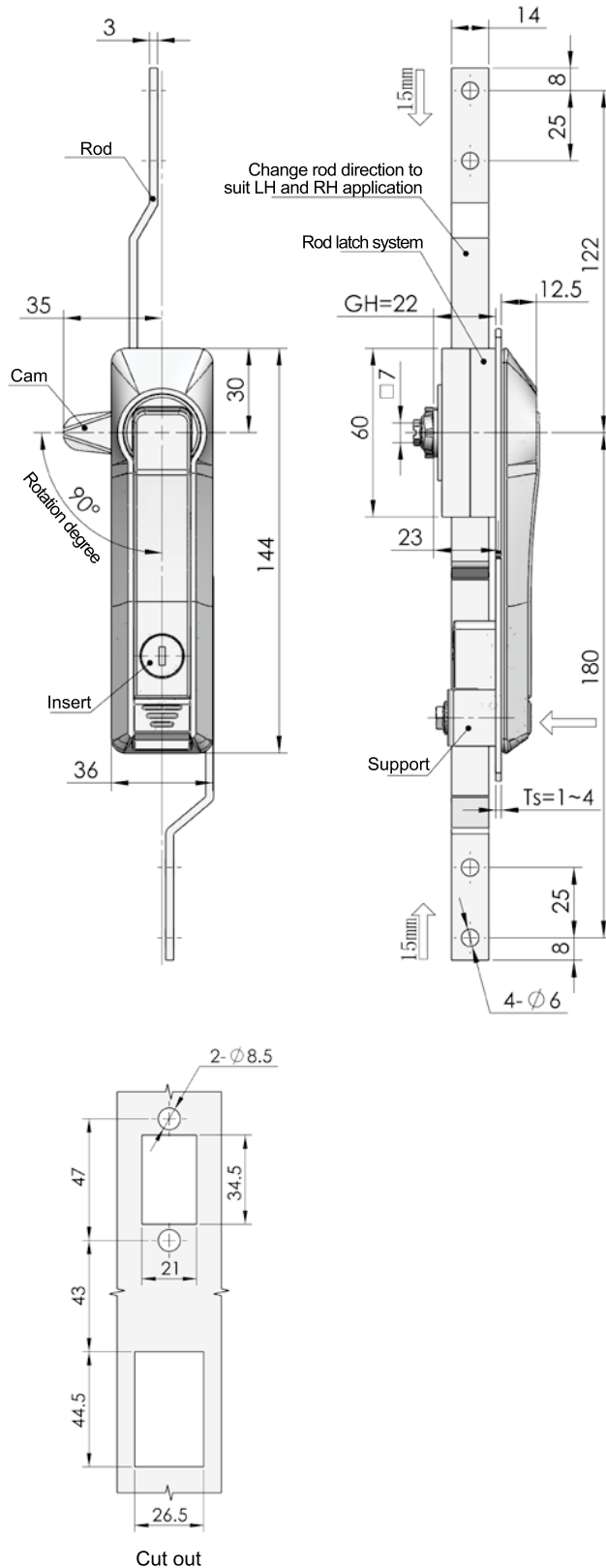
Performance parameter:
input torque: $\phi 3N.m$



Remark: Change rod and cam position to suit RH or LH application

ERP

MS821N00T01001



MS828



Main material and finish: Nanometer painted ZDC housing, handle, and button, ZDC support, white zinc-plated steel cam and rod latch, steel rod

Application: Insert 180 degree rotation to open, press the button, the handle bounce automatically, handle turn combines with rod latch system to open or close

Remark: Default key K100

Performance parameter:

Handle load tension capability: $\phi 340N$

Handle load torque capability: $\phi 28N.m$

	Matt black powder coated	Nanometer
ERP	MS828Z1A100001	MS828Z2B100017

Remark: Default cam S1A3500

- Accessories
- Electronic lock
- Handle lock
- Cylinder lock
- Plane lock
- Rod control lock
- Panel lock
- Toggle and hook
- Handles
- Door stop
- Hinge
- Seal gasket

- Accessories
- Electronic lock
- Handle lock
- Cylinder lock
- Plane lock
- Rod control lock
- Panel lock
- Toggle and hook
- Handles
- Door stop
- Hinge
- Seal gasket

MS828-1F



Main material and finish: Plastic housing with metal part, Black painted ZDC handle, shaft, button, white zinc plated ZDC rod latch system, white zinc plated steel rod and cam

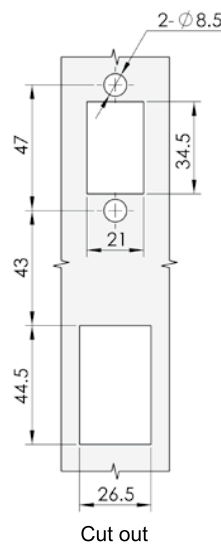
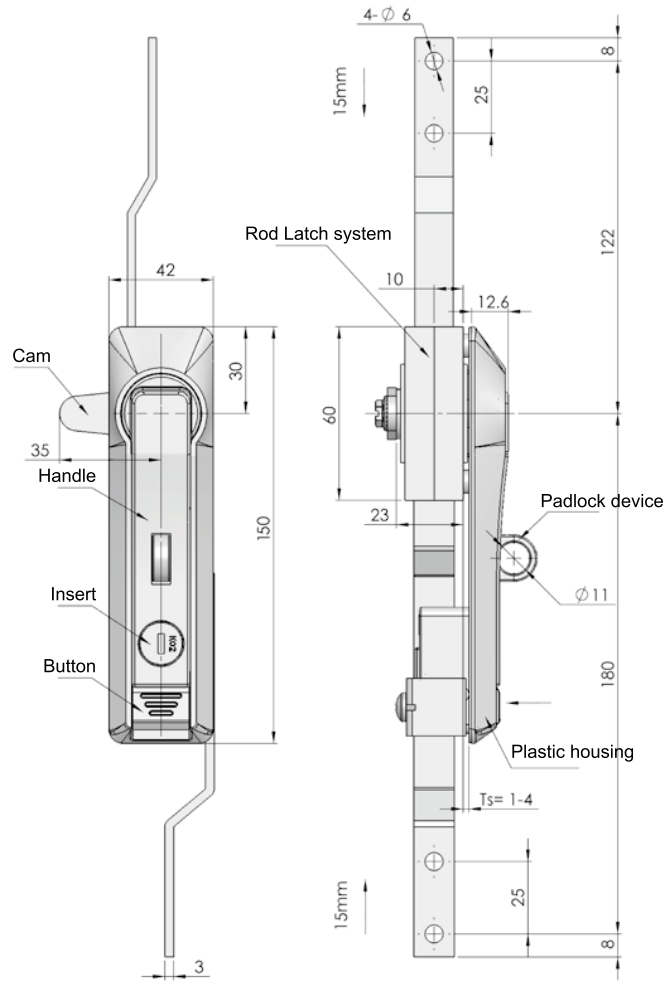
Remark: Default key K020

Default cam: S1A35Y00001

Performance parameter:

Handle load tension capability: $\phi 250N$

Handle load torque capability: $\phi 15N.m$



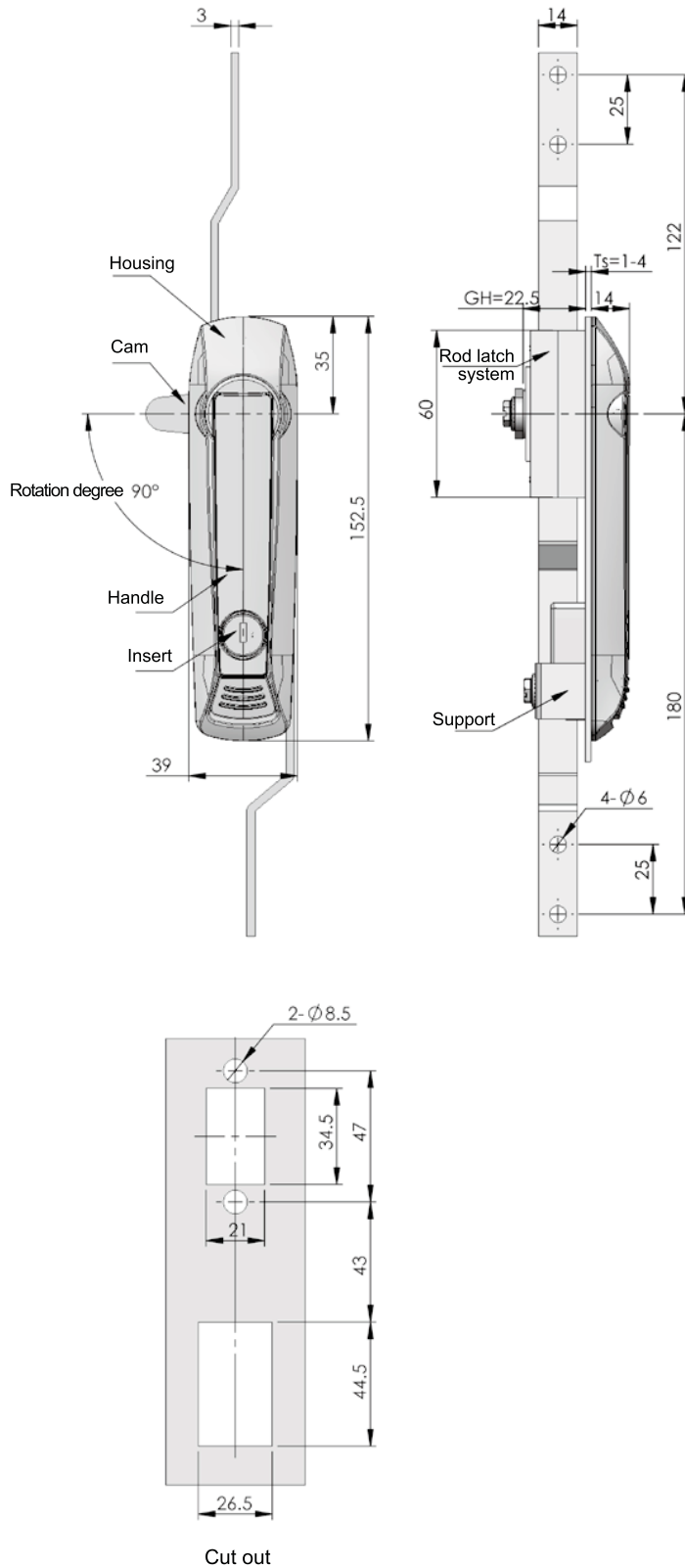
Remark: MB1 series rod latch system

MS828-1F advantage compare with MS828

- 1: Plastic and zinc base alloy inserts, with a certain degree of strength.
- 2: Locking part of the base front lock makes locking function must improve the reliability.
- 3: Design structure linked to the reserved zone, the user can choose two forms with padlock and without padlock.

	MS828-1F Without padlock device	MS828-1F-P With padlock device
ERP	MS828N00100001	MS828N00200002

Remark: Default cam S1A3500



MS828-8



Main material and finish: Nanometer painted or black painted ZDC housing, handle, and button, white zinc-plated steel cam, press plate and rod latch,
 Application: Insert 180° degree rotation to open, press the button, the handle bounce automatically, handle turn combines with rod latch system to open or close, padlock optional, LH and RH available.
 Remark: Default key K10

Performance parameter:
 Handle load tension capability: $\phi 250N$
 Handle load torque capability: $\phi 30N.m$

Accessories

Electronic lock

Handle lock

Cylinder lock

Plane lock

Rod control lock

Panel lock

Toggle and hook

Handles

Door stop

Hinge

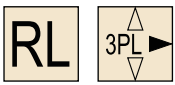
Seal gasket

ERP

MS828Z2B020008

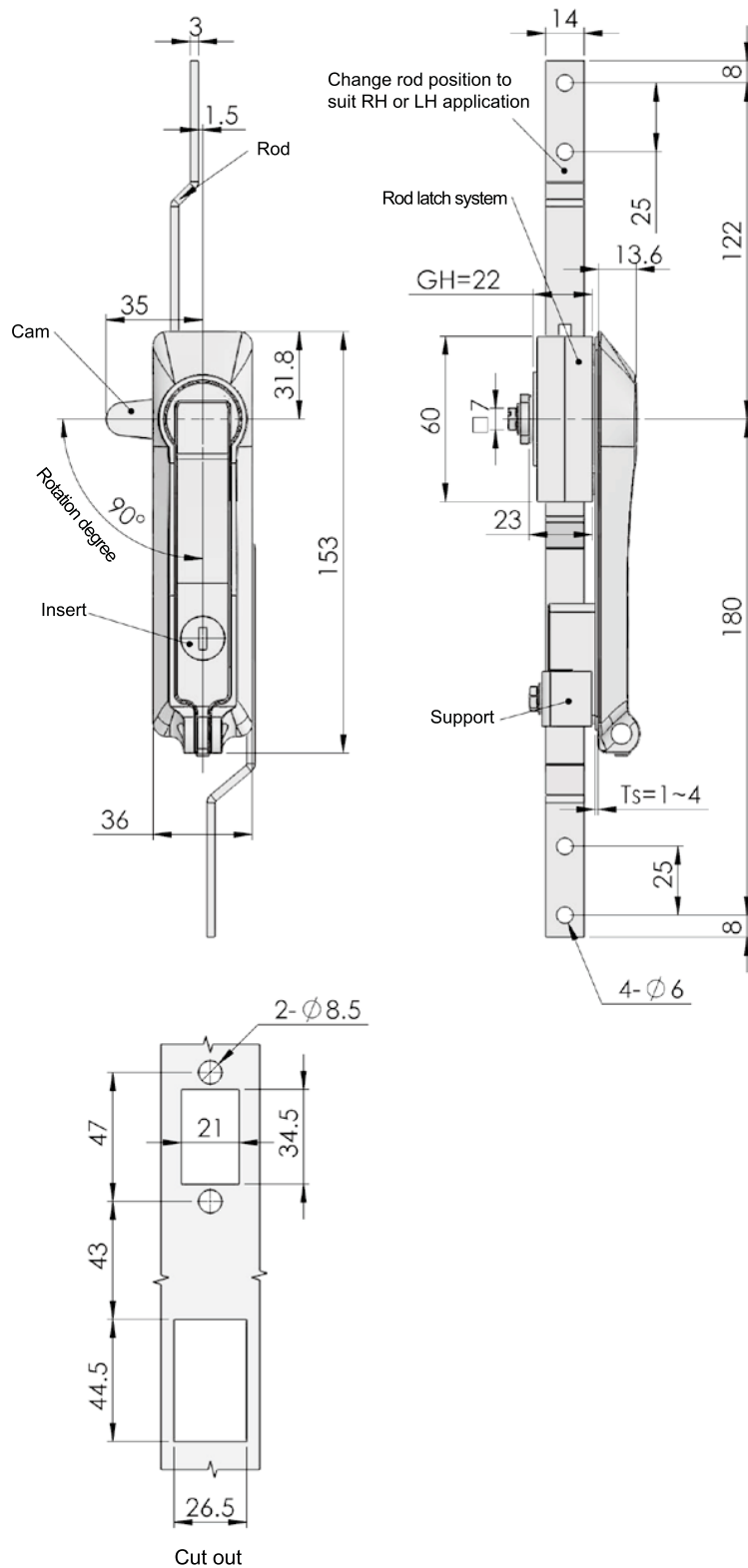
- Accessories
- Electronic lock
- Handle lock
- Cylinder lock
- Plane lock
- Rod control lock
- Panel lock
- Toggle and hook
- Handles
- Door stop
- Hinge
- Seal gasket

MS828-9

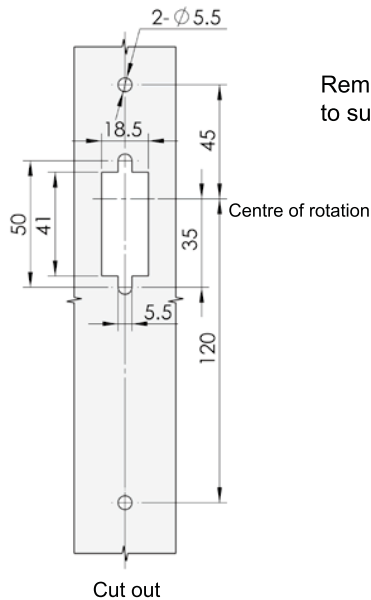
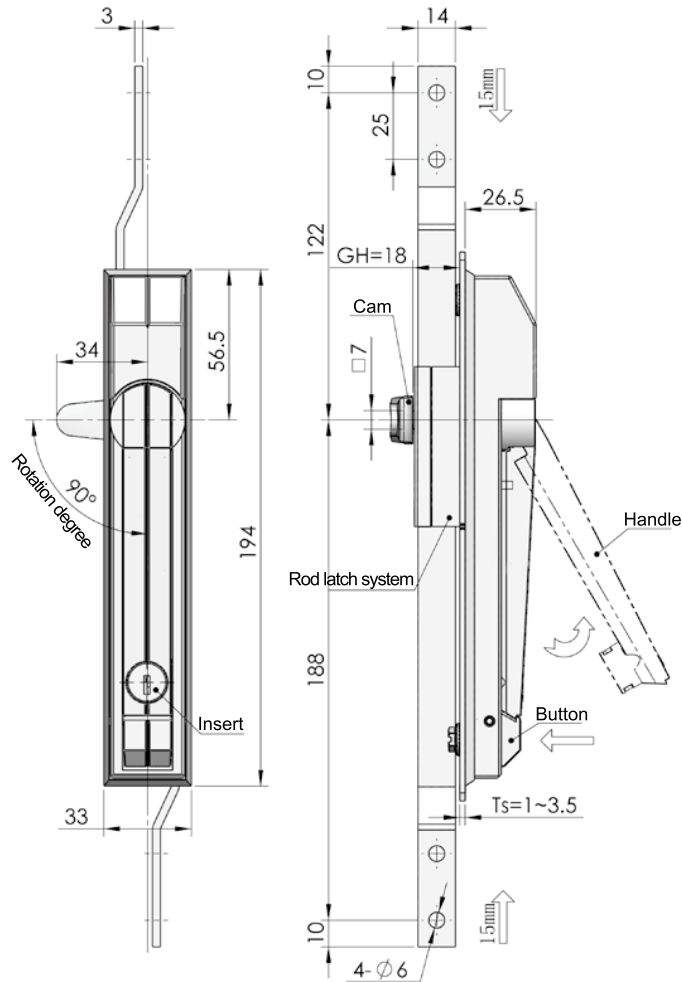


Main material and finish: Nanometer painted ZDC housing, handle, serpentine lock, Q235 press plate, Carbon steel, white zinc-plated steel cam and rod latch, ZDC support, steel rod
 Application: Cylinder 180 rotation to open, press the button, the handle bounce automatically, handle turn combines with rod latch system to open or close
 Remark: Default key K72-3

Performance parameter:
 Handle load tension capability: $\phi 340N$
 Handle load torque capability: $\phi 28N.m$



ERP MS828Z2B720002



Remark: Change rod and cam position to suit RH or LH application

MS829



Main material and finish: Yellow gray powder coated ZDC housing, black powder coated ZDC handle and button, white zinc plated steel cam and rod latch
 Application: Handle quarter-turn combines with rod latch system to open or close
 Remark: Default key K060

Performance parameter:
 Handle load tension capability: φ240N
 Handle load torque capability: φ20N.m

- Accessories
- Electronic lock
- Handle lock
- Cylinder lock
- Plane lock
- Rod control lock**
- Panel lock
- Toggle and hook
- Handles
- Door stop
- Hinge
- Seal gasket

ERP MS829Z1E060001
 Remark: Default cam S1A3405

- Accessories
- Electronic lock
- Handle lock
- Cylinder lock
- Plane lock
- Rod control lock
- Panel lock
- Toggle and hook
- Handles
- Door stop
- Hinge
- Seal gasket

MS830

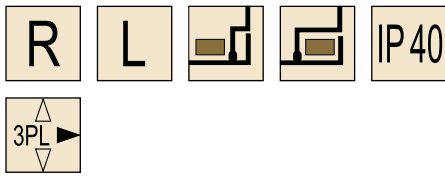


Finish: Yellow gray powder coated housing, black powder coated handle and shaft

MS830-3



Finish : Nanometer painted



Main material and finish: ZDC housing, handle, and dust-proof cap, white zincplated steel cam and rod-latch

Application: Handle quarter-turn combines with rod latch system to open or close

Remark: MS830 default key K580

MS830-3 default key K140

Performance parameter:

MS830:

Handle load tension capability: ϕ 225N

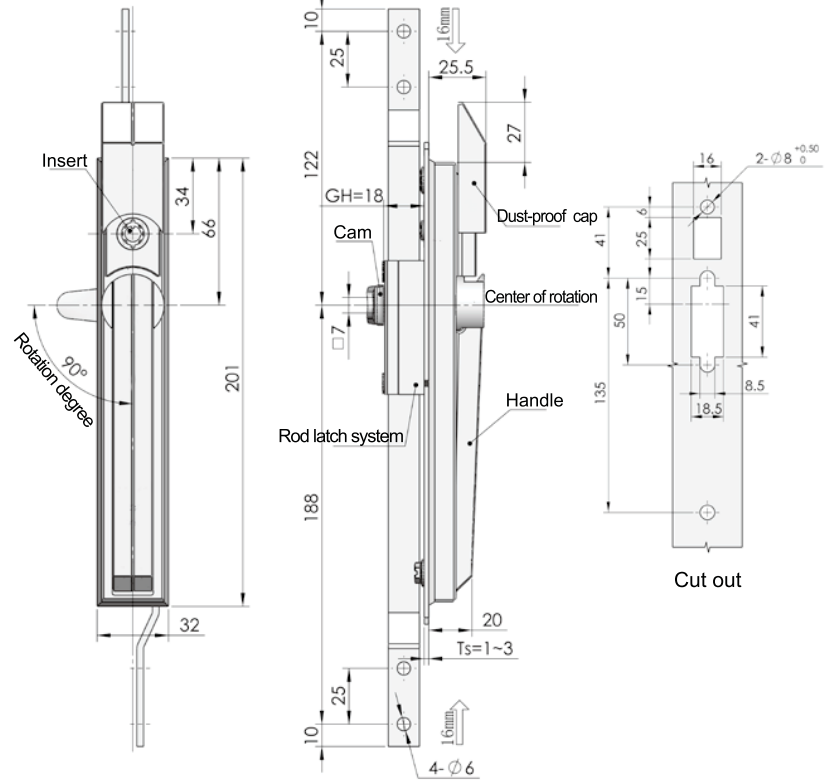
Handle load torque capability: ϕ 14N.m

MS830-3:

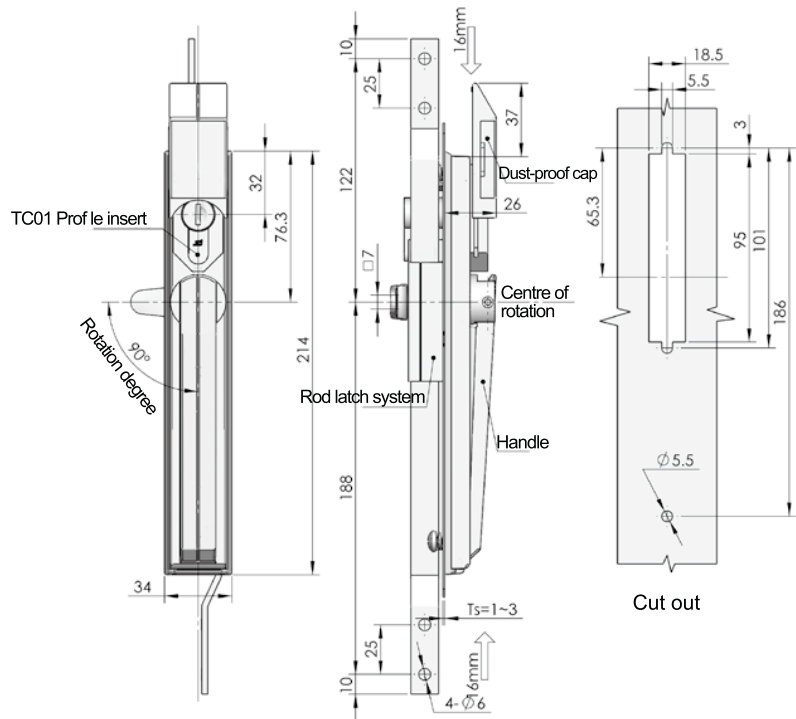
Handle load tension capability: ϕ 325N

Handle load torque capability: ϕ 20N.m

MS830



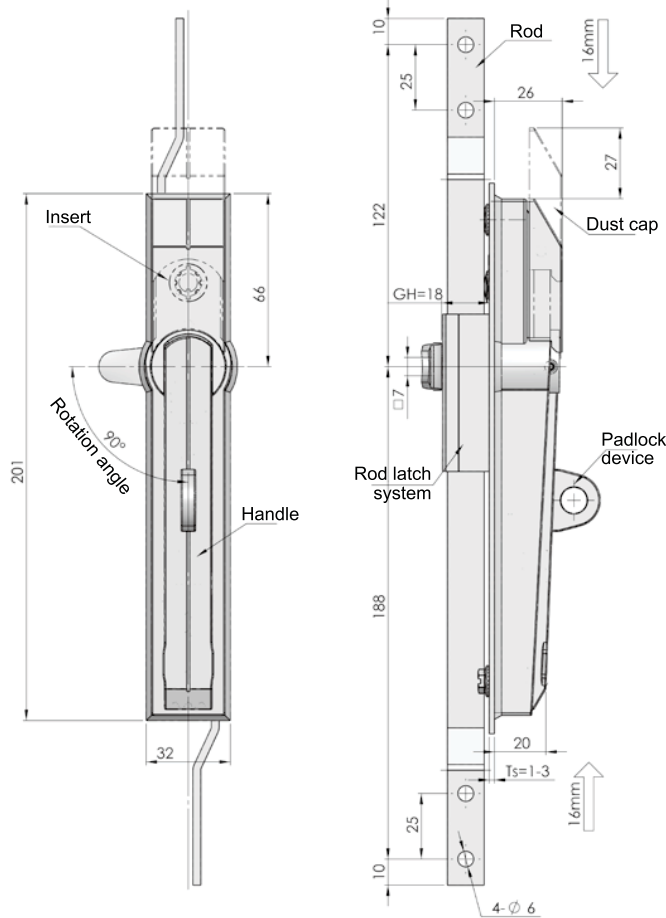
MS830-3



Remark: Change rod and cam position to suit RH or LH application

	MS830	MS830-3
ERP	MS830Z1EE04001	MS830Z2B140003

Remark: Default cam S1A3500



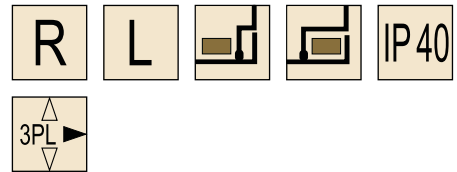
The advantage of MS830-6 when compare with MS830

1. Promote the reliability of latch function and theft-prevent function
2. Handle can bounce after open the lock

Specif cation	Model	ERP
with padlock device,insert with self-reset function	MS830-6-2P	MS830Z2BE04031
without padlock device,insert with self-reset function	MS830-6-2	MS830Z2BE04030
with padlock device,insert without self-reset function	MS830-6-1P	MS830Z2BE04023
without padlock device,insert without self-reset function	MS830-6-1	MS830Z2BE04022

Remark: Default cam S1A34Y05001

MS830-6



Main material and finish: Nanometer-painted ZDC housing and dust cap, black painting ZDC handle and shaft, ZDC rod latch, steel rod, cam and connection
 Remark: Default K580 key

Default cam: S1A34Y05001

Performance parameter:

Handle load tension capability: $\phi 315N$

Handle load torque capability: $\phi 22N.m$

Accessories

Electronic lock

Handle lock

Cylinder lock

Plane lock

Rod control lock

Panel lock

Toggle and hook

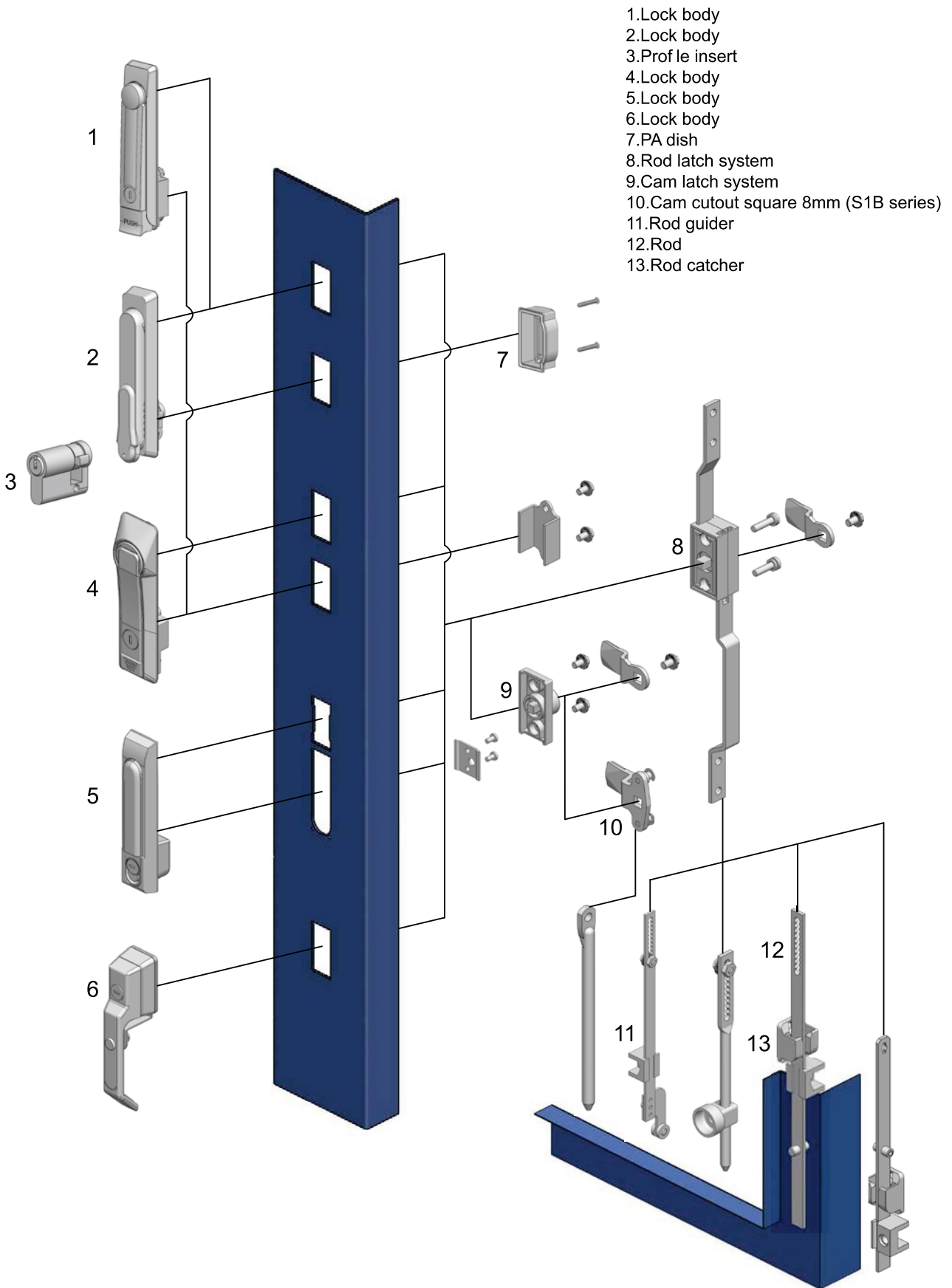
Handles

Door stop

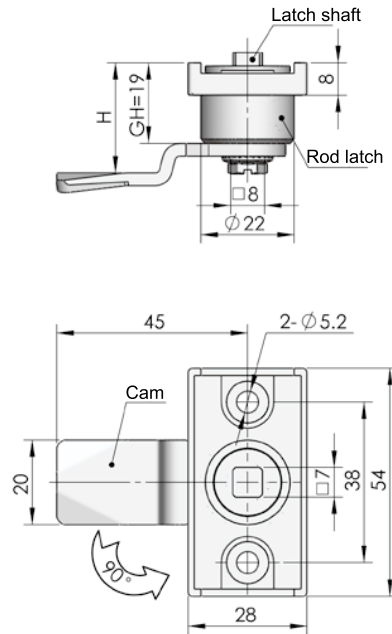
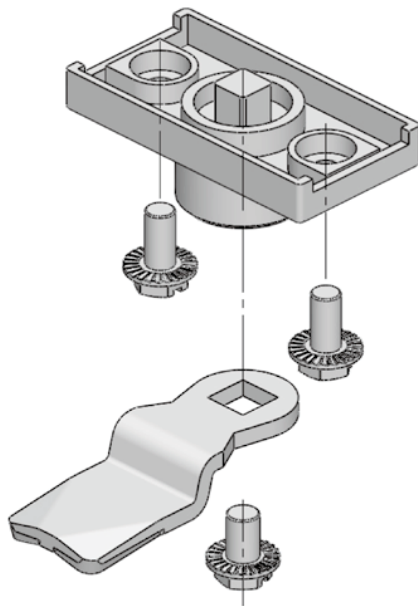
Hinge

Seal gasket

Accessories
Electronic lock
Handle lock
Cylinder lock
Plane lock
Rod control lock
Panel lock
Toggle and hook
Handles
Door stop
Hinge
Seal gasket

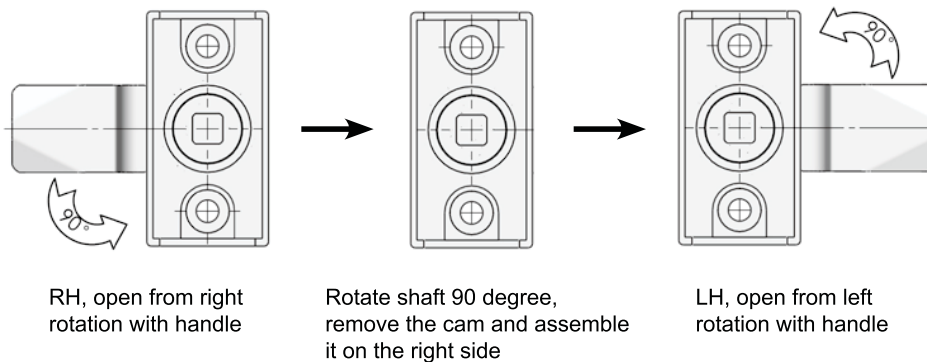
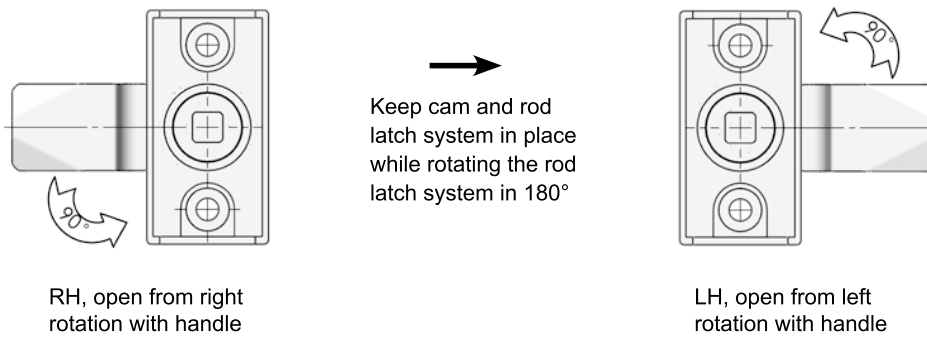


Cam latch system Mb90



Remark: Default rod latch system, closing position, quarter-turn rotation, cam cutout square 8mm, optional cam series S1B, S2B, S3B, detailed cam list on P007
 Default one-point cam S1B4507, H=19+7, length 45
 Default three-point cam S3B4510, H=19+10

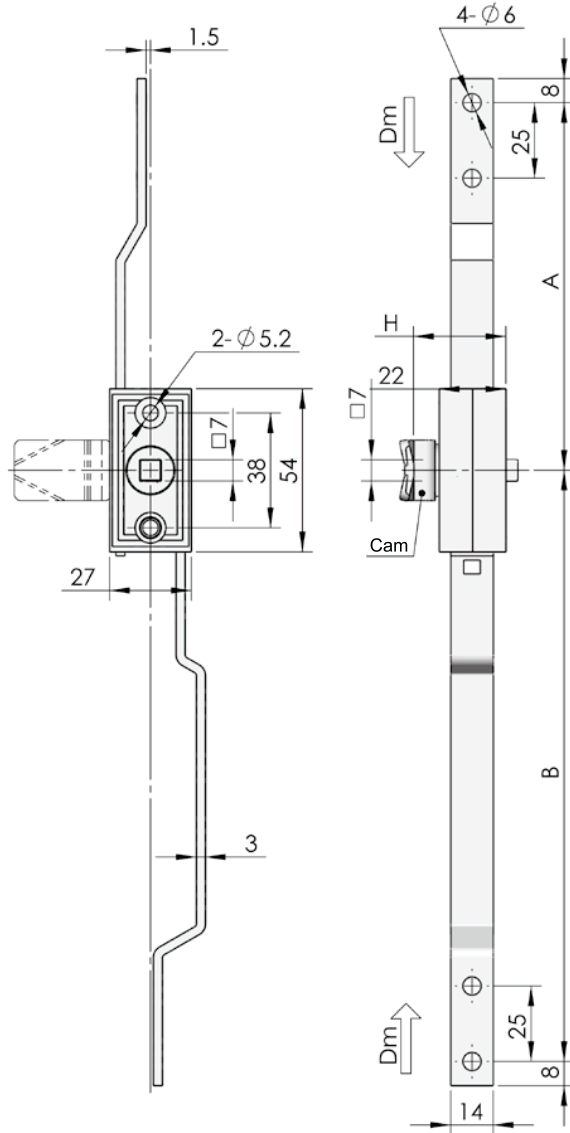
RH and LH application example



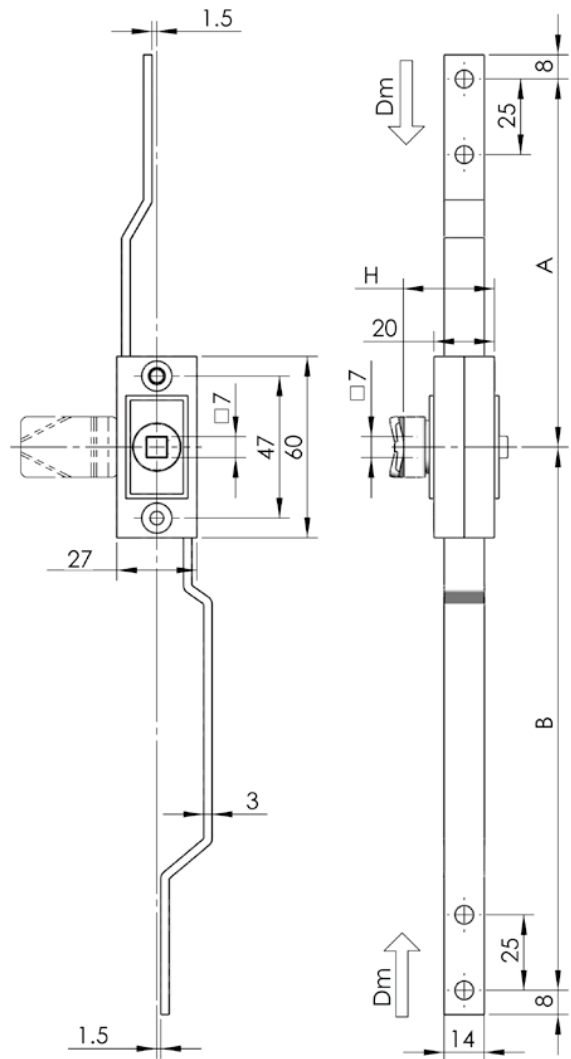
- Accessories
- Electronic lock
- Handle lock
- Cylinder lock
- Plane lock
- Rod control lock
- Panel lock
- Toggle and hook
- Handles
- Door stop
- Hinge
- Seal gasket



Mb0 Series
Mb2 Series



Mb1 Series

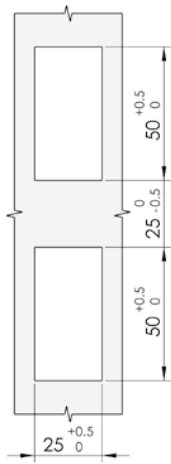
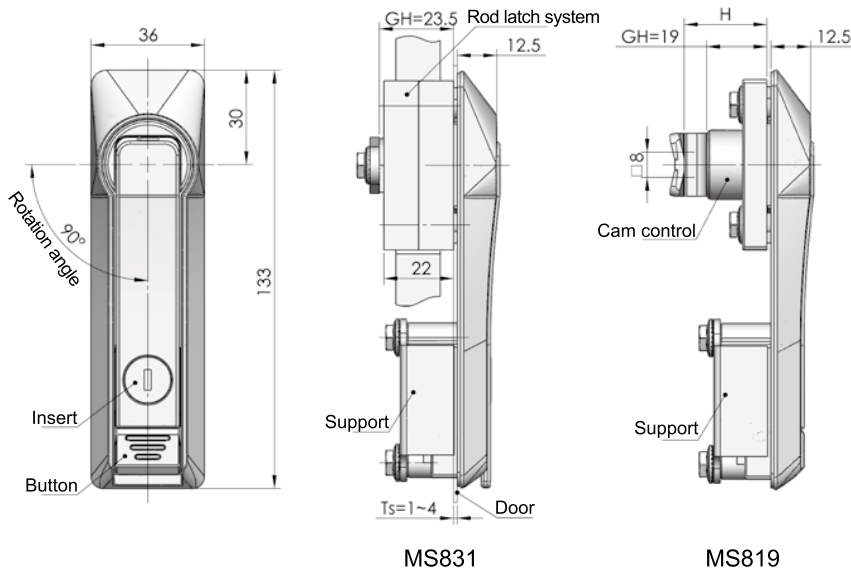


Remark: Without rod latch system, use for seal door-outside, cam cutout 7mm, optional cam S1A cam series, see detailed cam list on P007. Default cam S1A3500, H=GH, length 35.
Keep rod and rod latch in place, remove the cam and insert, and rotate rod latch system in 180 degree to suit RH or LH application

Dm: Rod stroke
Ra: Rotation angle code

Rod latch system	Dm	Ra	A	B	Specif cation
Mb01	15	90°	122	196	With cam
Mb02	15	90°	122	196	Without cam
Mb03	15	90°	138	196	With cam
Mb04	15	90°	138	196	Without cam
Mb21	15	90°	122	122	With cam
Mb24	23	135°	138	130	Without cam

Rod latch system	Dm	Ra	A	B	Specif cation
Mb11	15	90°	122	180	With cam
Mb12	15	90°	122	180	Without cam
Mb13	20	115°	130	188	With cam
Mb14	23	120°	130	188	Without cam



Cut out

Optional Accessories:
 See cam latch system Mb9 series on P174
 Rod latch system Mb0 series on P175

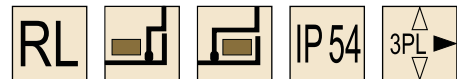
Remark: Mb0 series transmission mechanism, the corresponding B size of 180

Specif cation	Model	ERP
With button, optional rod latch system Mb01	MS831-1	MS831Z2A040001
With button, optional rod latch system Mb02	MS831-1-2	MS831Z2A040003
Without button, optional rod latch syystem Mb01	MS831-2	MS831Z2A040005
Without button, optional rod latch system Mb02	MS831-2-2	MS831Z2A040006
Without button	MS819-1	MS819Z2A040009
With button	MS819-2	MS819Z2A040003

MS831



MS819



Main material and finish: Black painted ZDC housing ,handle and button,white zinc-plated steel cam and combines with rod latch system

Application: Handle quarter-turn combines with rod latch system to open or close
 Remark: Default key K040

Default cam: S1A35Y00001 (Rod latch type)
 S1B45Y07002 (Cam type)

Performance parameter:

Handle load tension capability: ϕ 280N
 Handle load torque capability: ϕ 30N.m
 Maximum static load: 270N (cam type)

Accessories

Electronic lock

Handle lock

Cylinder lock

Plane lock

Rod control lock

Panel lock

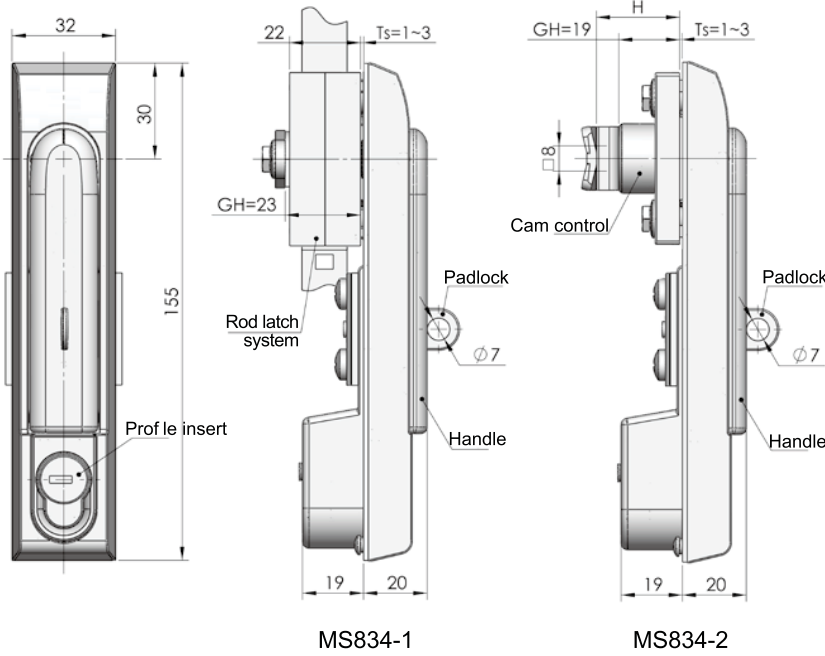
Toggle and hook

Handles

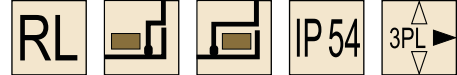
Door stop

Hinge

Seal gasket



Optional Accessories:
 See cam latch system Mb9 series on P174
 Rod latch system Mb0 series on P175
 Profile insert series on P027



Main material and finish: Black powder coated ZDC handle and housing, bright chrome-plated ZDC profile insert, white zinc-plated steel cam and rod latch, steel rod

Application: Quick-open, easy assembling, 90 degree handle rotation combines with rod latch to open or close

Remark: Default profile insert TC04-1, default key K040

Default cam: S1A35Y00001 (Rod latch type)
 S1B45Y07002(Cam type)

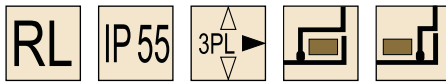
Performance parameter:
 Handle load tension capability: $\phi 225N$
 Handle load torque capability: $\phi 20N.m$
 Reminder: Tighten the locks protecting cover to protect the lock
 Maximum static load: 270N(cam type)

Specification	Model	ERP
Optional rod latch system Mb01	MS834-1	MS834Z1A040001
Optional rod latch system Mb02	MS834-1-2	MS834Z1A040009
Cam latch system	MS834-2	MS834Z1A030027

- Accessories
- Electronic lock
- Handle lock
- Cylinder lock
- Plane lock
- Rod control lock
- Panel lock
- Toggle and hook
- Handles
- Door stop
- Hinge
- Seal gasket

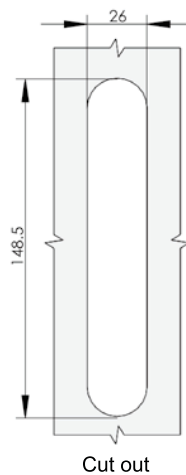
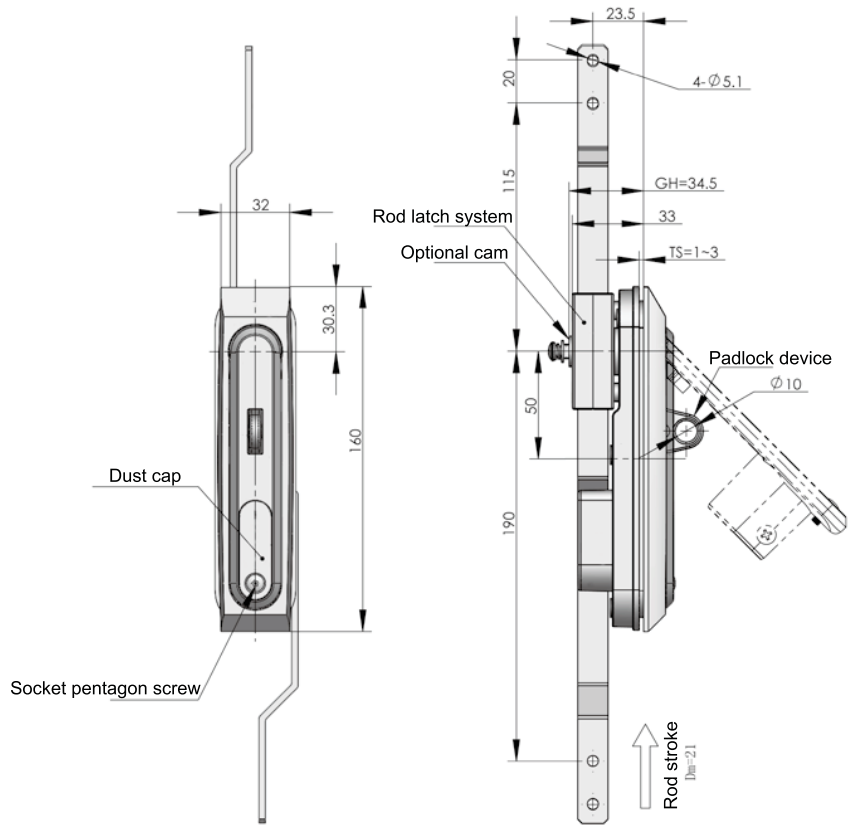
- Accessories
- Electronic lock
- Handle lock
- Cylinder lock
- Plane lock
- Rod control lock
- Panel lock
- Toggle and hook
- Handles
- Door stop
- Hinge
- Seal gasket

MS834-6

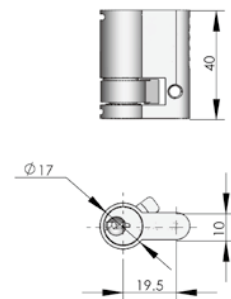


Main material and finish: Black painted (high salt mist resistant) ZDC handle and housing, bright chrome-plated ZDC profile insert, stainless steel cam and rod
 Application: Handle lift 45 degree
 Handle 135° rotation combines with rod latch system to open or close, change gear and rod direction to suit RH or LH application
 Remark: Default profile insert TC03-5A

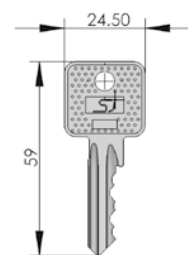
Performance parameter:
 Handle load tension capability: $\phi 395N$
 Handle load torque capability: $\phi 33N.m$
 Reminder: Tighten the locks protecting cover to protect the lock



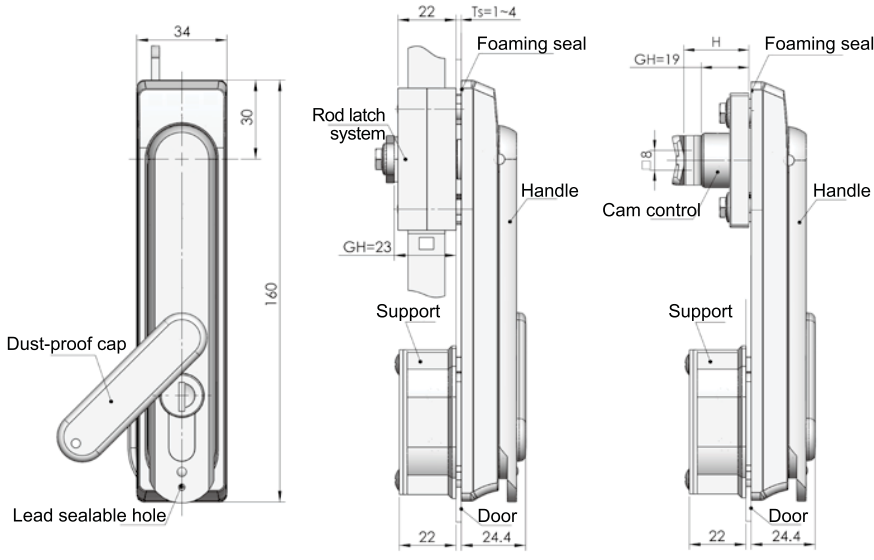
Default TC03-5A



Default Key



	MS834-6-Z	MS834-6-Y
ERP	MS834Z2E000001	MS834Z2E000002

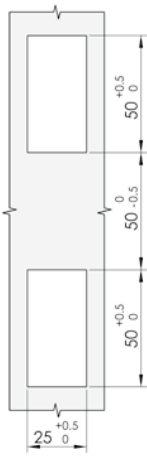


MS840-1

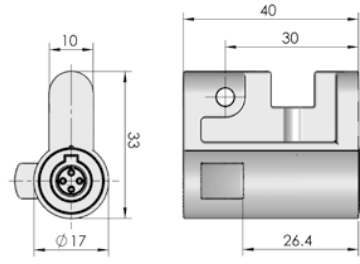
MS840-2

Dust-proof cap

Lead sealable hole



Cut out



TC18 Insert (optional)--P122

Optional accessories:
 See cam latch system Mb9 series on P174
 Rod latch system Mb0 series on P175
 TC01/TC02/TC03 profile insert on P027

Remark: PA housing or ZDC housing, default ZDC housing

Specification	Model	ERP
Optional rod latch system Mb01	MS840-1	MS840Z1B140001
Optional rod latch system Mb01, padlockable	MS840-1P	MS840Z1B140002
Optional rod latch system Mb02	MS840-1-2	MS840Z1B140019
Optional rod latch system Mb02, padlockable	MS840-1-2P	MS840Z1B140020
Cam latch system	MS840-2	MS840Z1B140064
Cam latch system, padlockable	MS840-2P	MS840Z1B140014

MS840



Main material and finish: Pocked black powder coated ZDC housing and handle, ZDC profile insert, white zinc-plated steel cam and rod

Application: 90 degree handle rotation combines with rod latch to open or close
 Remark: Default key K140

Default cam: S1A35Y00001(Rod latch type)
 S1B45Y07005 (Cam type)

Performance parameter:

Handle load tension capability: $\phi 400N$
 Handle load torque capability: $\phi 35N.m$
 Maximum static load: 270N(cam type)

- Accessories
- Electronic lock
- Handle lock
- Cylinder lock
- Plane lock
- Rod control lock
- Panel lock
- Toggle and hook
- Handles
- Door stop
- Hinge
- Seal gasket

- Accessories
- Electronic lock
- Handle lock
- Cylinder lock
- Plane lock
- Rod control lock
- Panel lock
- Toggle and hook
- Handles
- Door stop
- Hinge
- Seal gasket

MS840-4



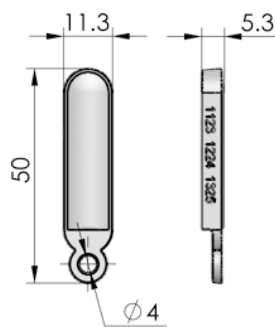
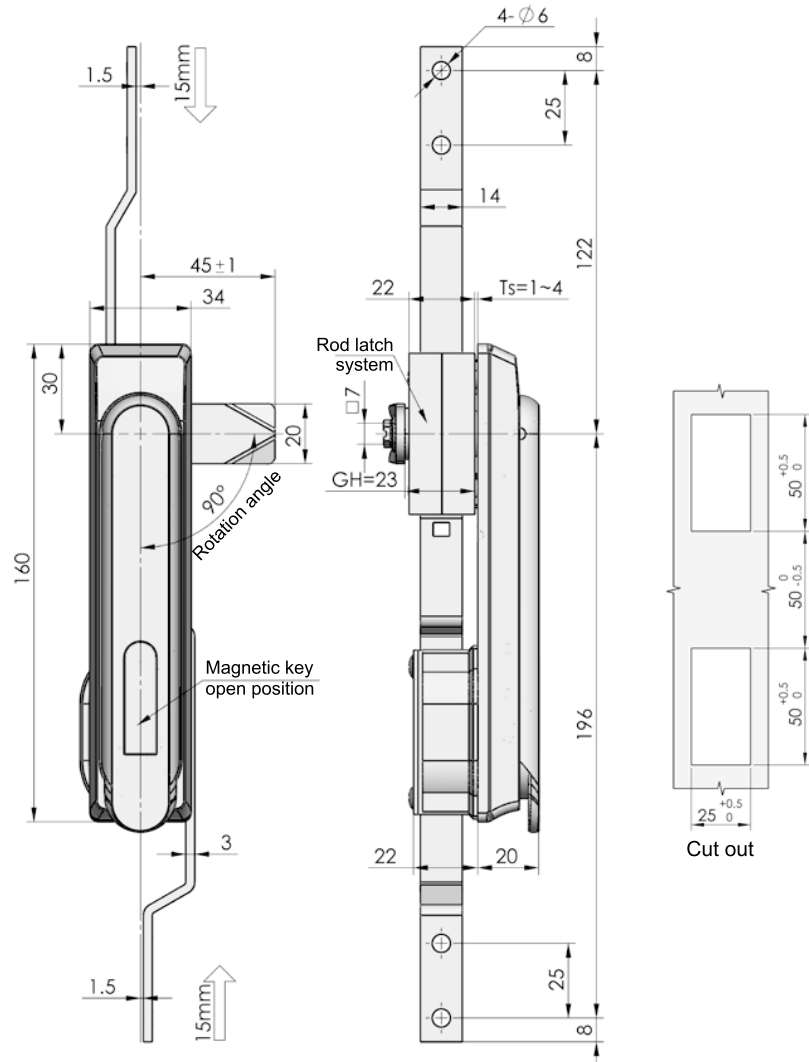
Main material and finish: Black powder coated ZDC housing, handle, zinc-plated steel cam

Application: 45 degree handle uplift rotation combines with cam to open or close, Open lock from left hand or right hand need change the set angle of limit part and cam

Character

Use magnet to open or close the lock. The advantage is the lock system is not exposed and the key combinations is more than other standard inserts. Open the lock, put the magnetic key into the groove of the handle, then put up the handle.

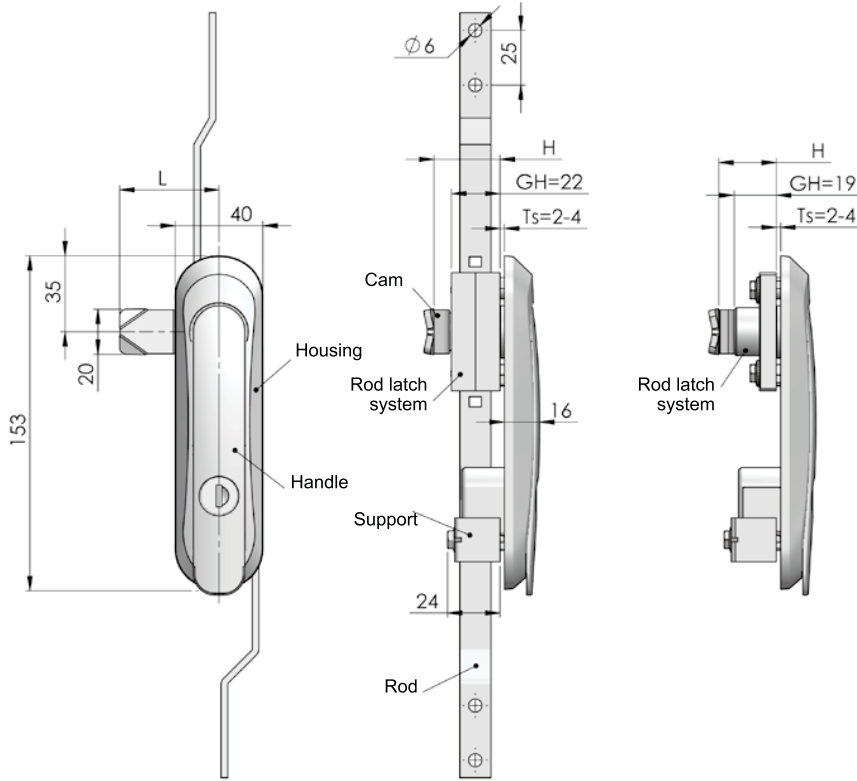
Performance parameter:
 Handle load tension capability: $\phi 400N$
 Handle load torque capability: $\phi 35N.m$



MS840-4 Magnetic key

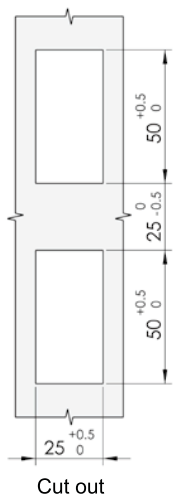
ERP MS840Z1B000006

Remark: Default cam S1A4500



MS840-5-1

MS840-5-2



Optional accessories:
 See cam latch system Mb9 series on P174
 Rod latch system Mb0 series on P175

MS840-5-1

MS840-5-2



Main material and finish: Black painted ZDC handle, housing, white zinc plated ZDC shaft, lock-tongue, steel cam, press plate and strip.

Application: Optional cam control system and rod control system

Remark: Optional key K140 and K720

Performance parameter:

Handle load tension capability: $\phi 330N$

Handle load torque capability: $\phi 26N.m$

Maximum static load: 270N(cam type)

Model	MS840-5-1	MS840-5-2
ERP	MS840Z2A720001	MS840Z2A720002

Accessories

Electronic lock

Handle lock

Cylinder lock

Plane lock

Rod control lock

Panel lock

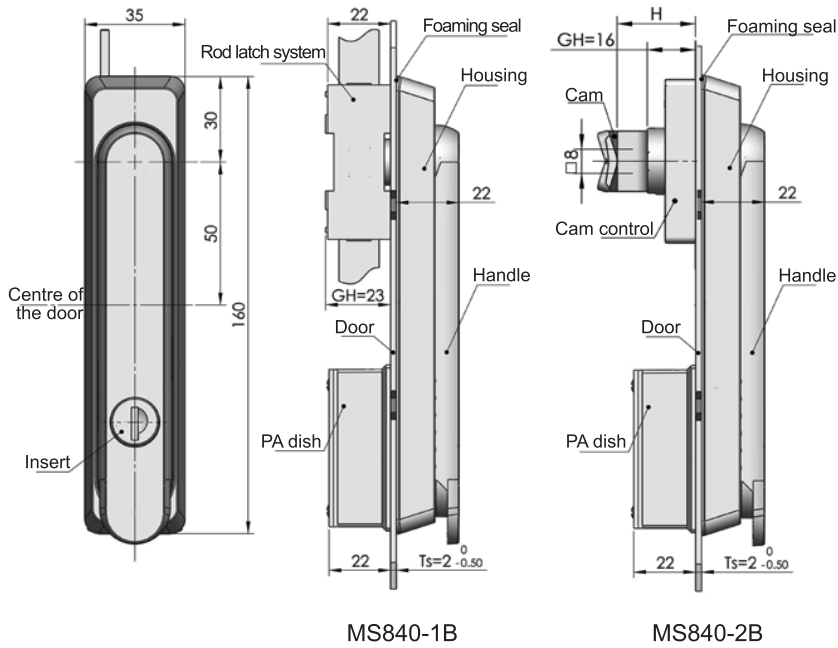
Toggle and hook

Handles

Door stop

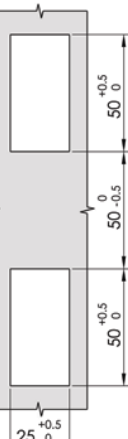
Hinge

Seal gasket



MS840-1B

MS840-2B



Cut out

Optional Accessories:
 See cam latch system Mb9 series on P174
 Rod latch system Mb4 series on P192

MS840-B



Main material and finish: Black PA housing, handle and dust-proof cap, white zinc-plated steel cam and rod, ZDC profile insert

Application: Handle quarter-turn combines with rod latch system to open or close
 Remark: Default Key K140

Default cam: S1B45Y07002 (Cam type)

Performance parameter:

Handle load tension capability: $\phi 300N$

Handle load torque capability: $\phi 33N.m$

Accessories

Electronic lock

Handle lock

Cylinder lock

Plane lock

Rod control lock

Panel lock

Toggle and hook

Handles

Door stop

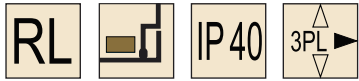
Hinge

Seal gasket

Specification	Model	ERP
Rod latch system with insert	MS840-1B	MS840N00140025
Cam latch system with insert	MS840-2B	MS840N00140034

- Accessories
- Electronic lock
- Handle lock
- Cylinder lock
- Plane lock
- Rod control lock
- Panel lock
- Toggle and hook
- Handles
- Door stop
- Hinge
- Seal gasket

MS840-C

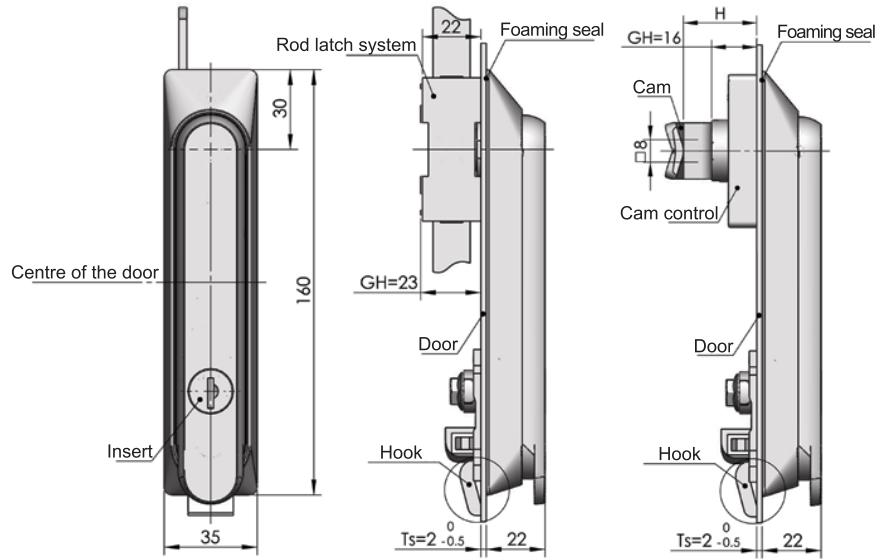


Main material and finish: Black PA handle, housing and dust-proof cap, white zinc-plated steel cam and rod, ZDC profile insert

Application: Handle quarter-turn combines with rod latch system to open or close
 Remark: Default Key K140

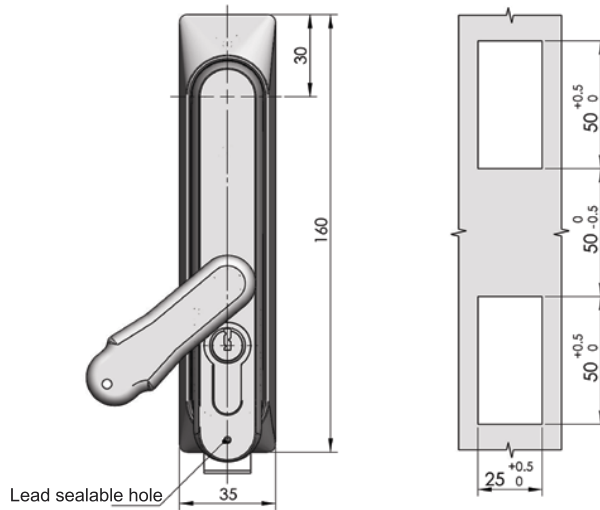
Default cam: S1B45Y07002 (Cam type)

Performance parameter:
 Handle load tension capability: $\phi 300N$
 Handle load torque capability: $\phi 33N.m$



MS840-1C

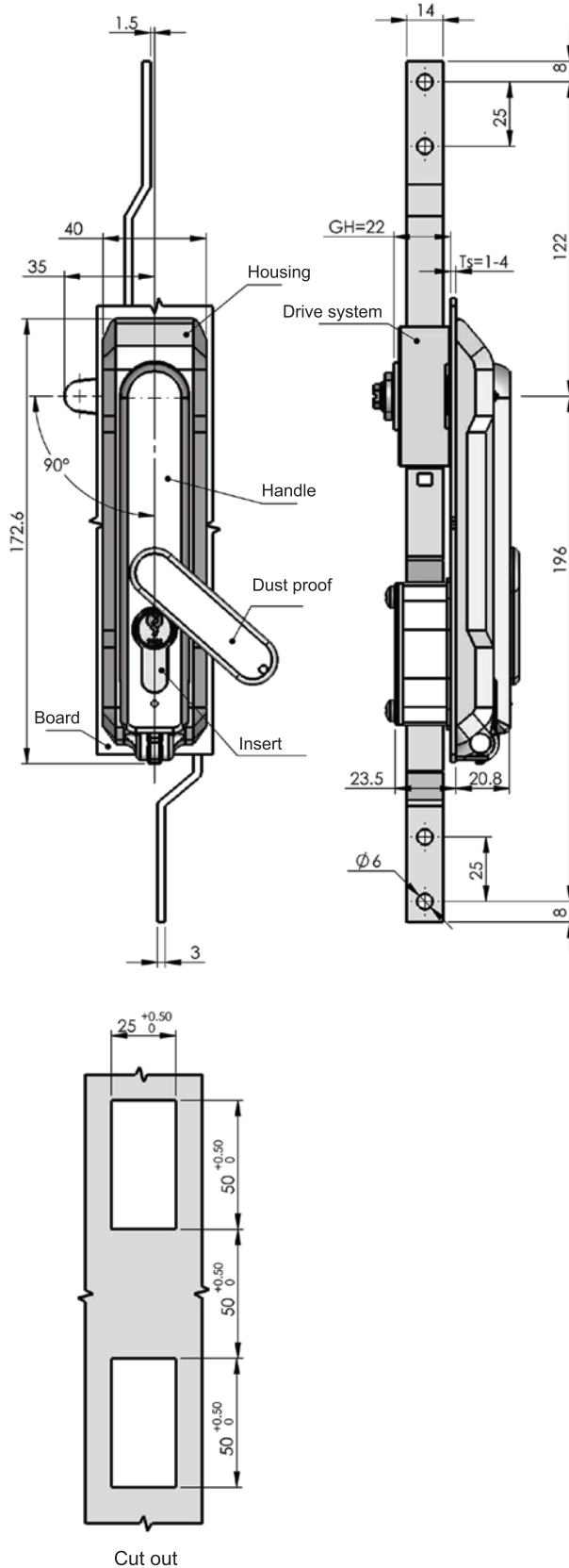
MS840-2C



MS840-D

Optional Accessories:
 See cam latch system Mb9 series on P174
 Rod latch system Mb4 series on P192

Specification	Model	ERP
Rod latch system	MS840-1C	MS840N00140011
Cam latch system	MS840-2C	MS840N00140015



MS840-6P



Main material: Zamak housing, handle, insert ;Q235 support, cam,rod drive
 Finish: Nanometer painted housing, handle,white zinc plated cam ,rod drive
 Structure : Open the lock by turning the insert 45 degree,handle pop-out,moving with drive system to open or close
 Remark: Default TC03 prof le insert

Performance parameter :
 Handle load tension capability: $\phi 400N$
 Handle load torque capability: $\phi 35N.m$
 Max static load : 270N(Cam type)

ERP MS840Z1B000006

- Accessories
- Electronic lock
- Handle lock
- Cylinder lock
- Plane lock
- Rod control lock
- Panel lock
- Toggle and hook
- Handles
- Door stop
- Hinge
- Seal gasket

- Accessories
- Electronic lock
- Handle lock
- Cylinder lock
- Plane lock
- Rod control lock
- Panel lock
- Toggle and hook
- Handles
- Door stop
- Hinge
- Seal gasket

MS846



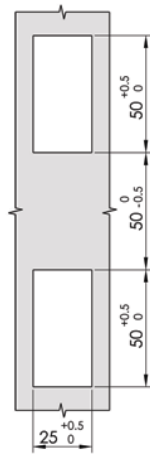
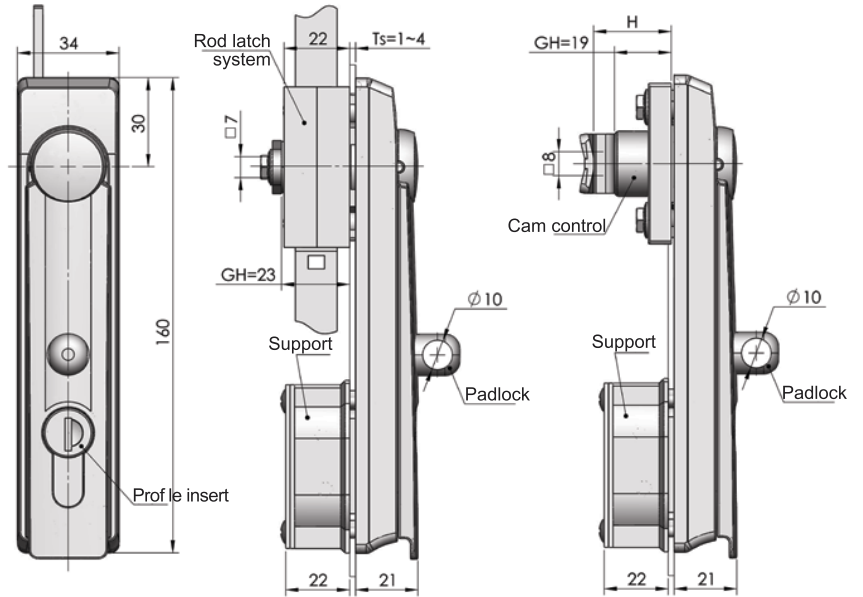
Main material and finish: Pocked black powder coated ZDC handle and housing, ZDC prof le insert, white zinc-plated steel cam and rod

Application: 90 degree handle rotation combines with rod latch to open or close
 Remark: Default prof le insert TC01, default key K140

Default cam: S1A35Y00001(Rod latch type)
 S1B45Y07002(Cam type)

Performance parameter:

Handle load tension capability: $\phi 235N$
 Handle load torque capability: $\phi 40N.m$
 Maximum static load: 270N(cam type)

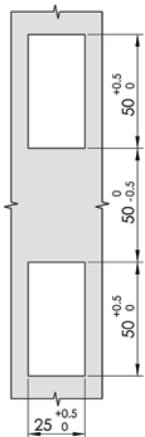
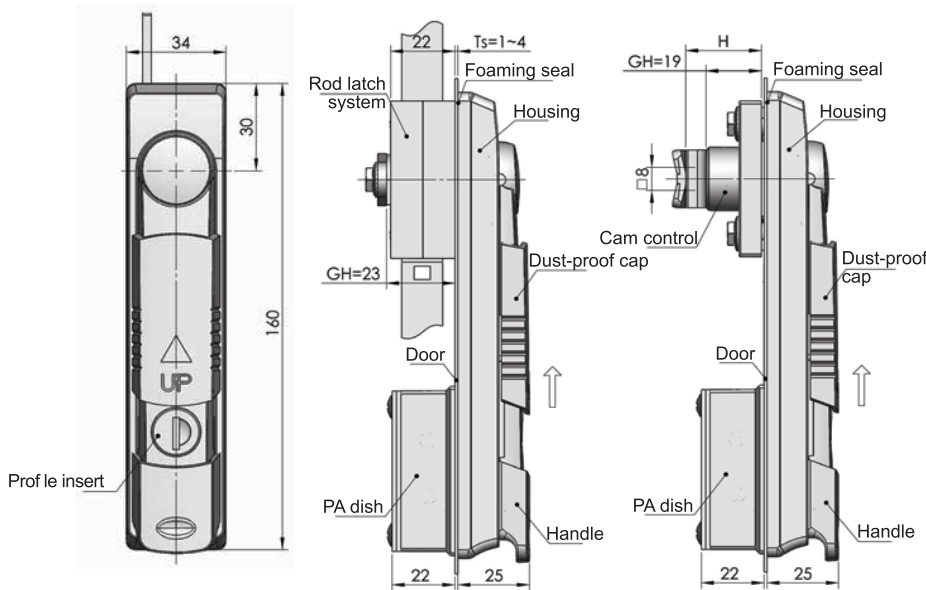


Cut out

Optional accessories:
 See cam latch system Mb9 series on P174
 Rod latch system Mb0 series on P175
 TC01/TC02/TC03 prof le insert on P027

Remark: PA housing or ZDC housing ,default ZDC housing

Specifcation	Model	ERP
Optional rod latch system Mb01	MS846-1	MS846Z1B140001
Optional rod latch system Mb01, padlockable	MS846-1-P	MS846Z1B140002
Optional rod latch system Mb02	MS846-1-2	MS846Z1B140005
Optional rod latch system Mb02, padlockable	MS846-1-2P	MS846Z1B140007
Cam latch system	MS846-2	MS846Z1B140003
Cam latch system, padlockable	MS846-2-P	MS846Z1B140004



Cut out

Optional accessories:

- See cam latch system Mb9 series on P174
- Rod latch system Mb0 series on P175
- TC01/TC02/TC03 profile insert on P027

Remark : PA housing or ZDC housing, default ZDC housing

Specification	Model	ERP
Optional rod latch system Mb01	MS848-1	MS848Z1B140017
Optional rod latch system Mb02	MS848-1-2	MS848Z1B140004
Cam latch system	MS848-2	MS848Z1B140010

MS848



Main material and finish: Pocked black powder coated ZDC handle and housing, ZDC profile insert, white zinc-plated steel cam and rod

Application: 90 degree handle rotation combines with rod latch to open or close

Remark: Default profile insert TC01, default key K140

Default cam: S1A35Y00001(Rod latch type)
S1B45Y07002(Cam type)

Performance parameter:

- Handle load tension capability: $\phi 520N$
- Handle load torque capability: $\phi 27N.m$
- Maximum static load: 270N(cam type)

- Accessories
- Electronic lock
- Handle lock
- Cylinder lock
- Plane lock
- Rod control lock**
- Panel lock
- Toggle and hook
- Handles
- Door stop
- Hinge
- Seal gasket

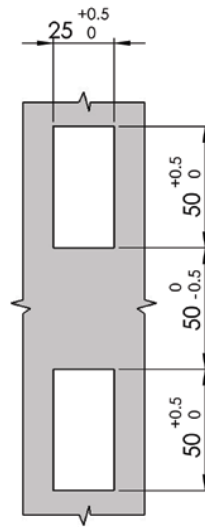
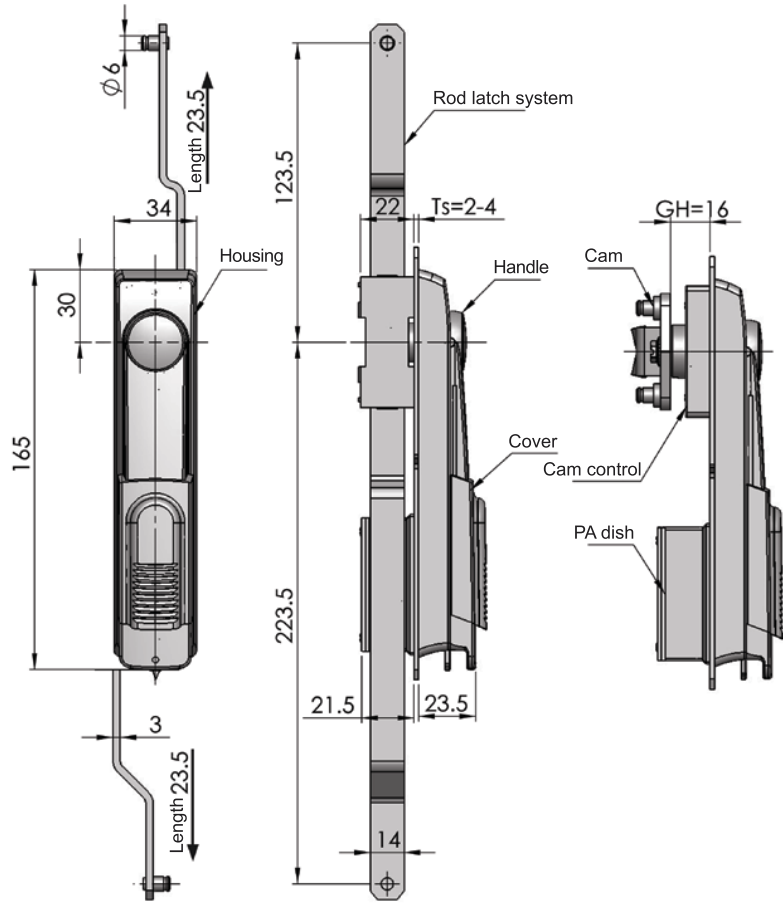
- Accessories
- Electronic lock
- Handle lock
- Cylinder lock
- Plane lock
- Rod control lock
- Panel lock
- Toggle and hook
- Handles
- Door stop
- Hinge
- Seal gasket

MS848-1E



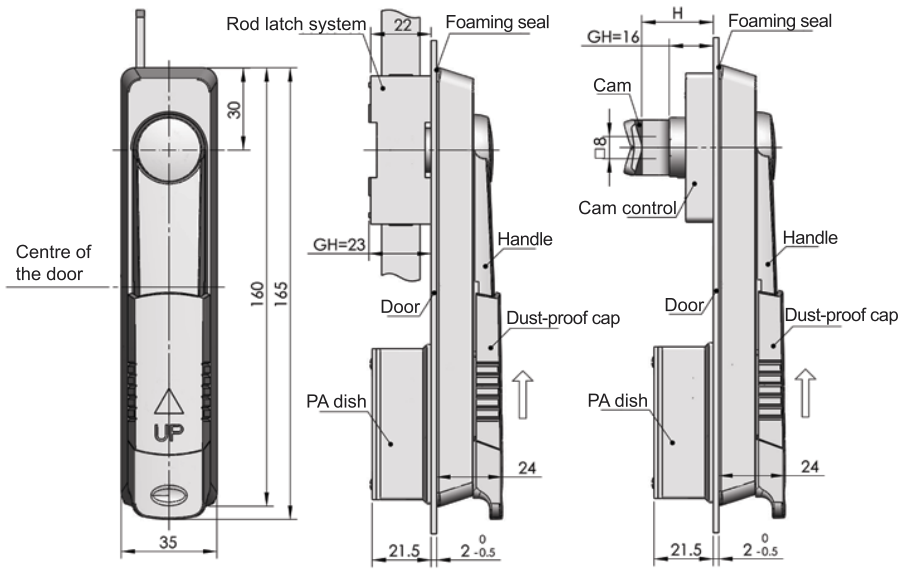
Main material: Black PA housing, Handle, dust-proof cap, zamak profile insert
 Finish : Bright chrome plated insert, white zinc plated cam and rod drive
 Remark : Optional profile insert TC01,TC02,TC03 Default TC01 with K14

Performance parameter:
 Handle load tension capability: $\phi 170N$
 Handle load torque capability: $\phi 20N.m$



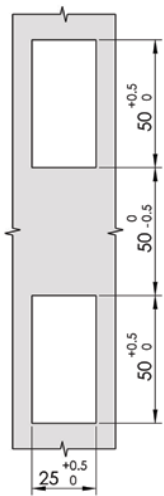
Cut out

Optional Accessories:
 See cam latch system Mb9 series on P174
 Rod latch system Mb4 series on P192



MS848-1B

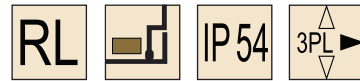
MS848-2B



Cut out

Optional Accessories:
 See cam latch system Mb9 series on P174
 Rod latch system Mb2 series on P175

MS848-B



Main material and finish: Black PA handle, housing and dust-proof cap, white zinc-plated steel cam and rod, ZDC profile insert

Application: Handle quarter-turn combines with rod latch system to open or close
 Remark: Default profile insert TC01, default Key K140

Default cam: S1B45Y07002 (Cam type)

Performance parameter:

Handle load tension capability: $\phi 170N$

Handle load torque capability: $\phi 20N.m$

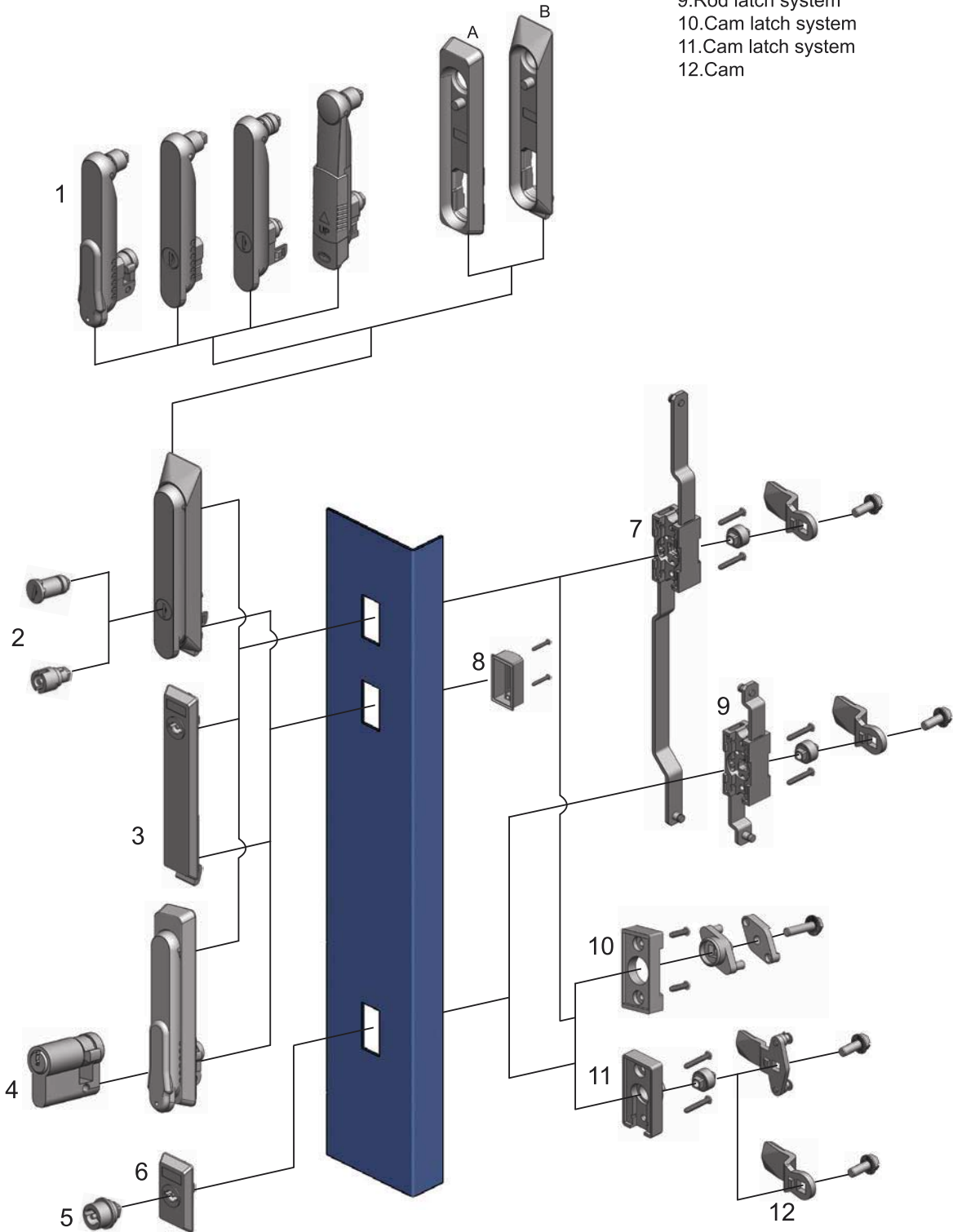
Specification	Model	ERP
Rod latch system	MS848-1B	MS848N00140002
Cam latch system	MS848-2B	MS848N00140018

- Accessories
- Electronic lock
- Handle lock
- Cylinder lock
- Plane lock
- Rod control lock
- Panel lock
- Toggle and hook
- Handles
- Door stop
- Hinge
- Seal gasket

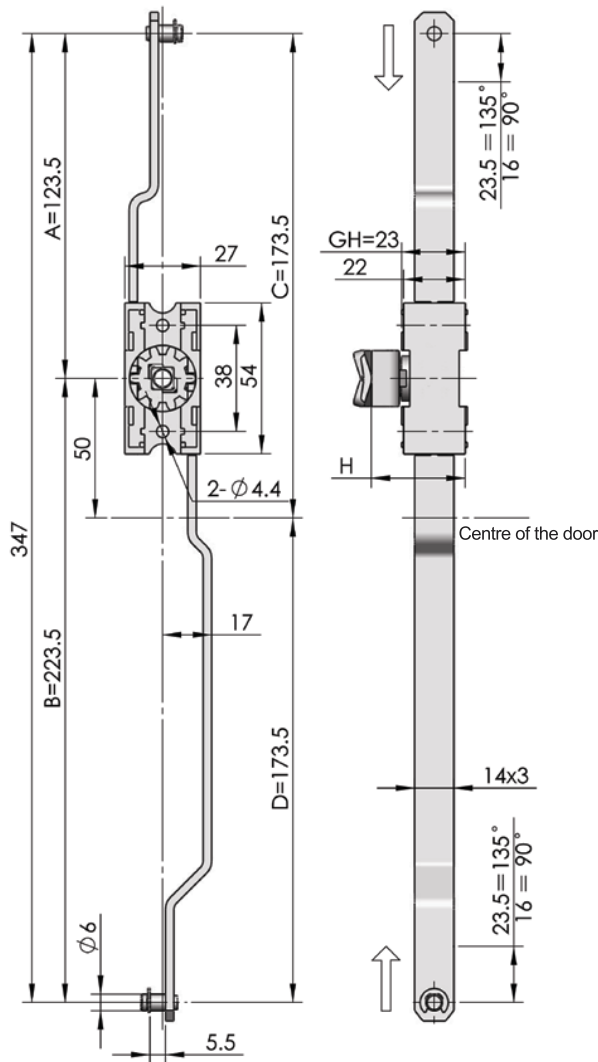
- Accessories
- Electronic lock
- Handle lock
- Cylinder lock
- Plane lock
- Rod control lock**
- Panel lock
- Toggle and hook
- Handles
- Door stop
- Hinge
- Seal gasket

Combination	Item No	
	Rod latch system	Cam latch system
A	MS840-1A	MS840-2A
B	MS840-1D	MS840-2D
A	MS840-1B	MS840-2B
B	MS840-1E	MS840-2E
A	MS840-1F	MS840-2F
B	MS840-1C	MS840-2C
A	MS848-1B	MS848-2B
B	MS848-1C	MS848-2C

- 1.Lock-body
- 2.Insert
- 3.Lock-boby
- 4.Prof le insert
- 5.Insert
- 6.Board
- 7.Rod latch system
- 8.PA dish
- 9.Rod latch system
- 10.Cam latch system
- 11.Cam latch system
- 12.Cam



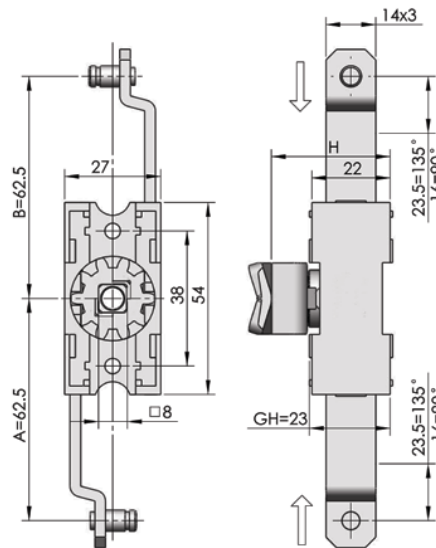
Mb4 Series



Remark: Default rod latch system, closing position, 135 degree rotation angle, default optional cam S1B3500, cam cutout square 8mm. The rod latch system is used for the seal door-outside

Rod latch system	Dm	Ra	A	B	C	D	Specif cation
Mb43	23.5	135°	123.5	223.5	173.5	173.5	With cam
Mb44	23.5	135°	123.5	223.5	173.5	173.5	Without cam

Mb5 Series



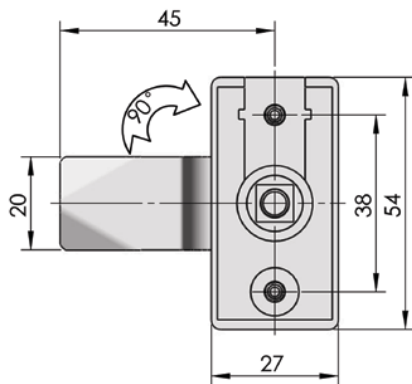
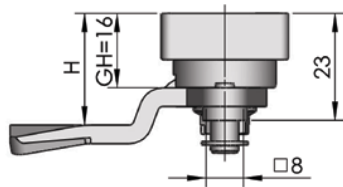
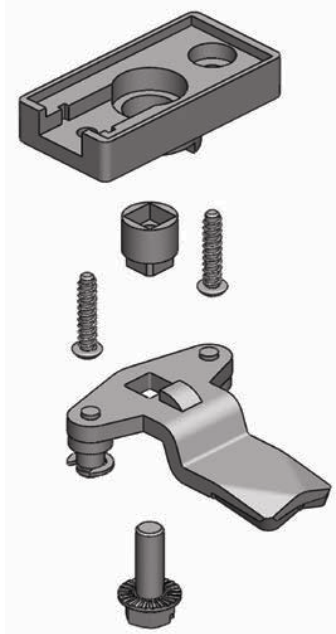
Remark: Default rod latch system, closing position, 135 degree rotation angle, default optional cam S1B3500, cam cutout square 8mm. The rod latch system is used for the seal door-outside

Rod latch system	Dm	Ra	A	B	Specif cation
Mb51	23.5	135°	62.5	62.5	With cam
Mb52	23.5	135°	62.5	62.5	Without cam

- Accessories
- Electronic lock
- Handle lock
- Cylinder lock
- Plane lock
- Rod control lock
- Panel lock
- Toggle and hook
- Handles
- Door stop
- Hinge
- Seal gasket

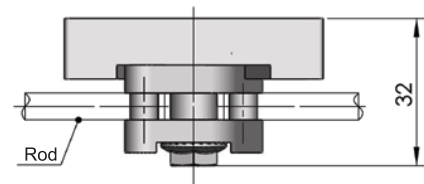
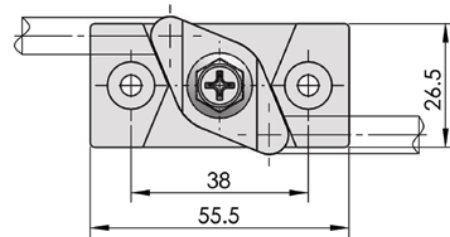
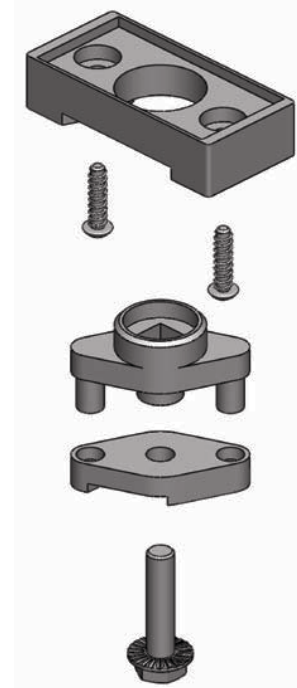
Accessories
Electronic lock
Handle lock
Cylinder lock
Plane lock
Rod control lock
Panel lock
Toggle and hook
Handles
Door stop
Hinge
Seal gasket

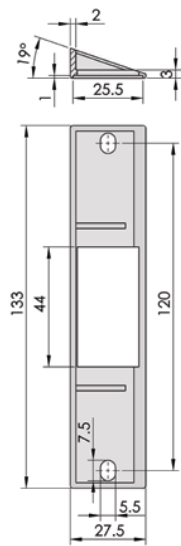
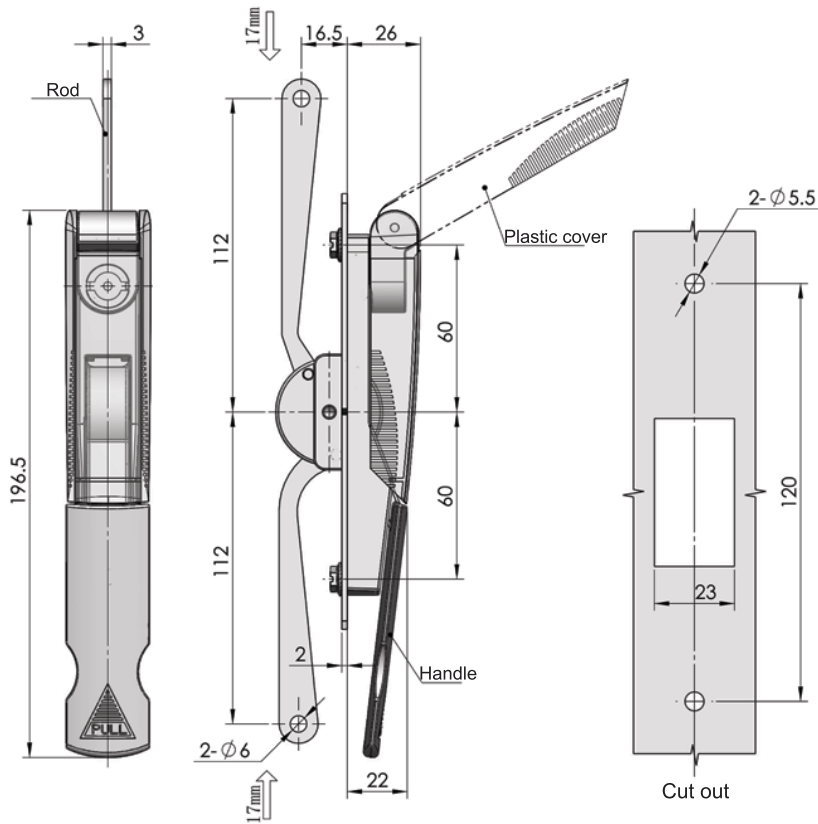
Mb92-Y
Mb92-Z



Remark: Default optional cam S3B4510

Mb94 Series

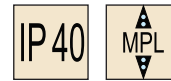




Support (Optional)

Specification	Model	ERP
Double bit	MS853-1-1	MS853Z1DT01001
Triangular	MS853-1-2	MS853Z1DT04001
Square 8mm	MS853-1-3	MS853Z1DT07001
Slot	MS853-1-4	MS853Z1DT10001
Default Key K04	MS853-2	MS853Z1D040001

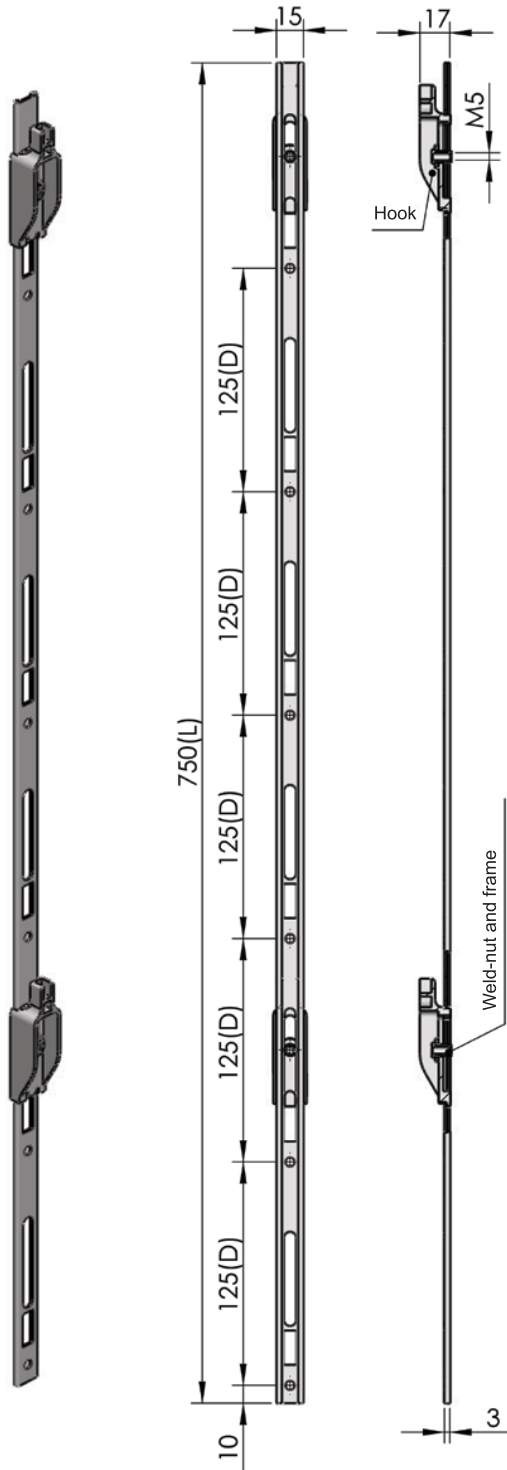
MS853



Main material and finish: Blue gray powder coated ZDC handle, housing, ZDC support, white zinc-plated steel rod, PC dust-proof cap
 Remark: Optional Key K15 series or K040

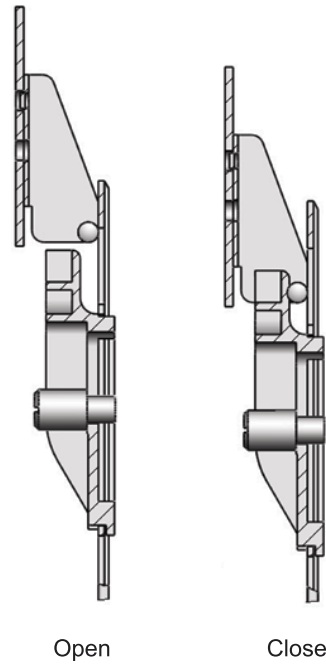
Performance parameter:
 Handle load tension capability: $\phi 275N$

- Accessories
- Electronic lock
- Handle lock
- Cylinder lock
- Plane lock
- Rod control lock**
- Panel lock
- Toggle and hook
- Handles
- Door stop
- Hinge
- Seal gasket

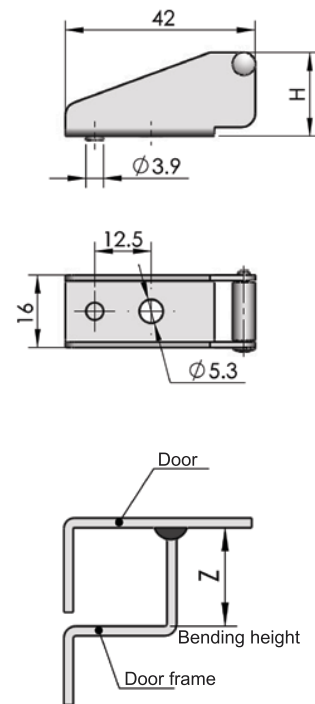


Model	Length(mm)	Lock catch appropriate quantity
LG-2D-250	250	1
LG-2D-375	375	1
LG-2D-500	500	1
LG-2D-625	625	2
LG-2D-750	750	2
LG-2D-875	875	2

Rod length=125 X n, n: Rod-Joint quantity, joint distance=125 ;



Catcher

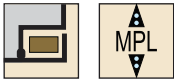


Hook No	H	Z
KP1	19	15.5
KP2	20	16.5
KP3	22	18.5
KP4	25	21.5

- Accessories
- Electronic lock
- Handle lock
- Cylinder lock
- Plane lock
- Rod control lock**
- Panel lock
- Toggle and hook
- Handles
- Door stop
- Hinge
- Seal gasket

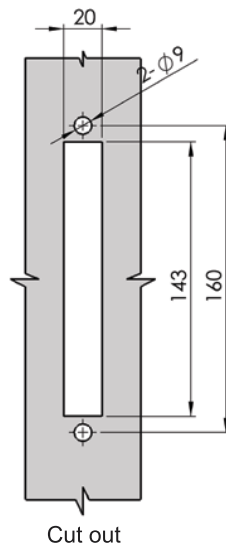
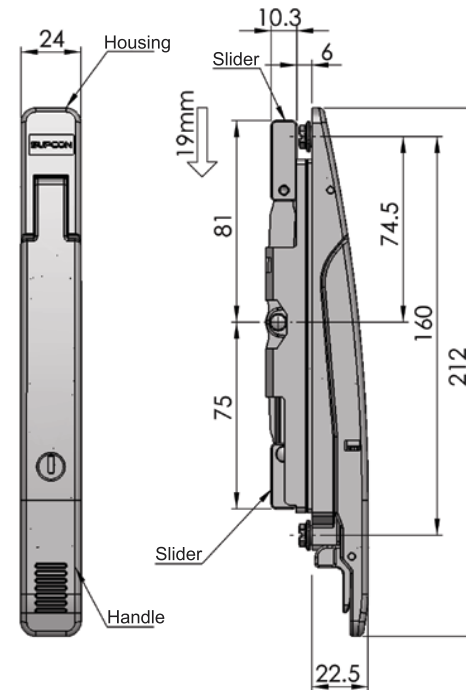
- Accessories
- Electronic lock
- Handle lock
- Cylinder lock
- Plane lock
- Rod control lock
- Panel lock
- Toggle and hook
- Handles
- Door stop
- Hinge
- Seal gasket

MS855-5

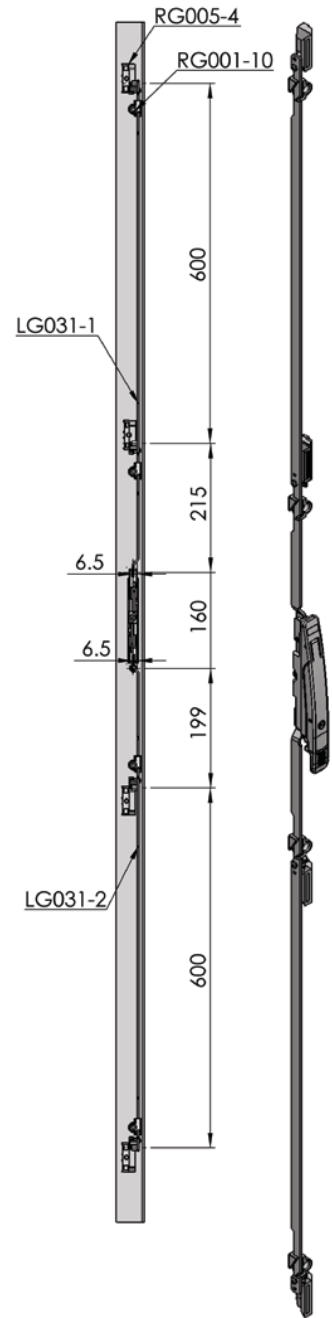


Main material and finish: Painted RAL7030 ZDC housing and handle, ZDC slider and fix part, stainless steel rod
 Remark: Default key K110

Performance parameter:
 Handle load tension capability: $\phi 800N$



Assembly drawing



ERP MS855ZXX110001

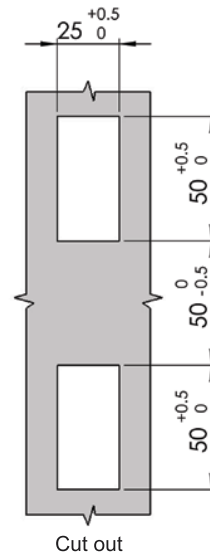
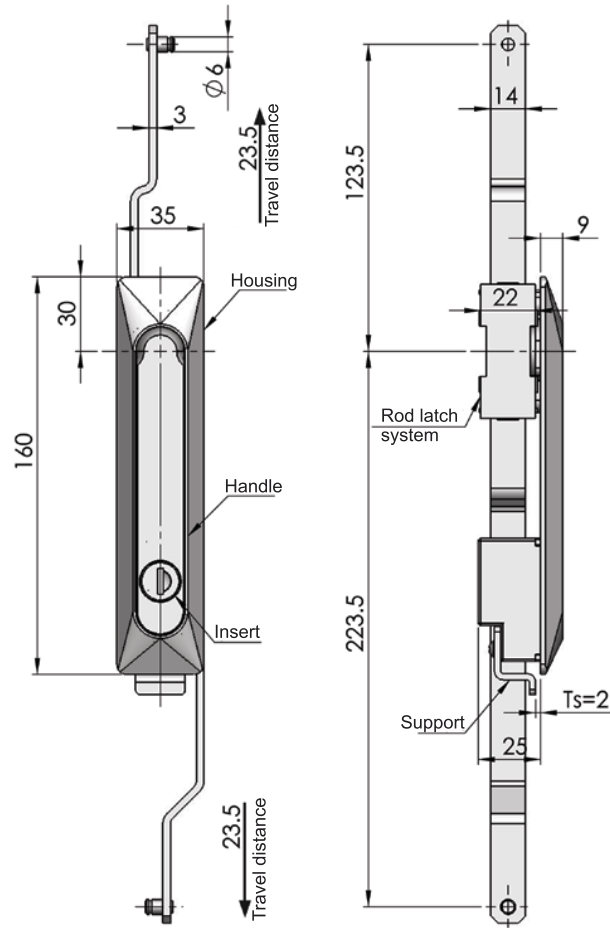
Accessories
Electronic lock
Handle lock
Cylinder lock
Plane lock
Rod control lock
Panel lock
Toggle and hook
Handles
Door stop
Hinge
Seal gasket

MS861-2E

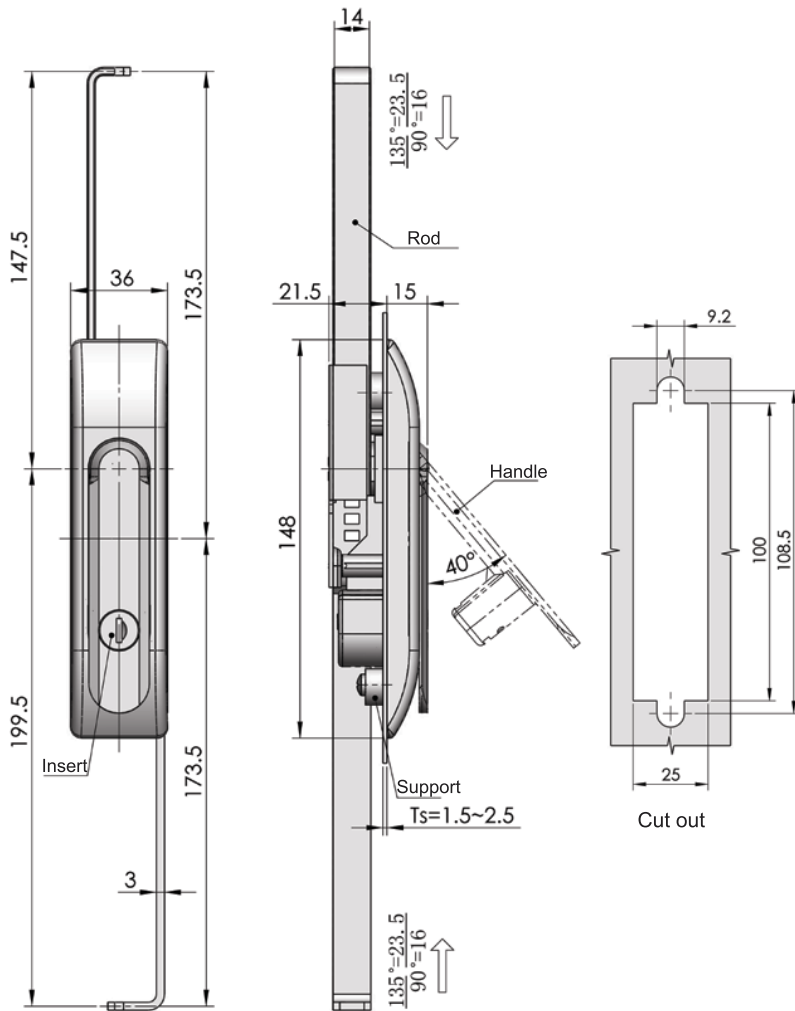


Main material and finish: PA housing, Black powder coated ZDC handle, white zinc plated ZDC shaft and insert, white zinc plated steel rod latch and cam
 Application: 135 degree handle rotation to open or close, padlock device for choose

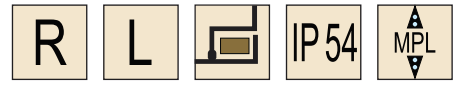
Performance parameter:
 Handle load tension capability: $\phi 290N$
 Handle load torque capability: $\phi 22N.m$



ERP MS861Z2A140001



MS865

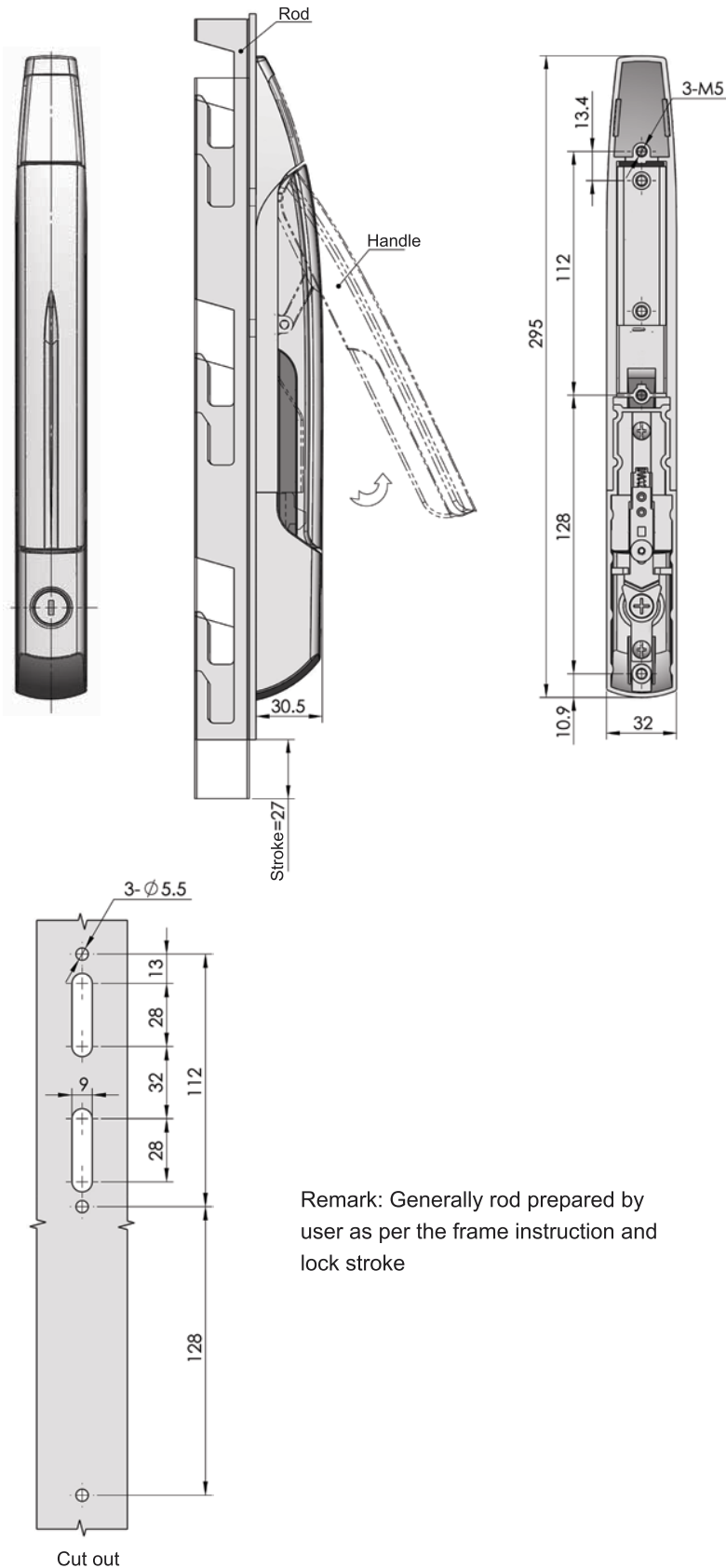


Main material and finish: Black PA housing, pocked black powder coated ZDC handle, white zinc-plated steel rod
 Application: Handle quarter-turn combines with rod latch system to open or close
 Remark: Default Key K140

Performance parameter:
 Handle load tension capability: $\phi 195N$
 Handle load torque capability: $\phi 10N.m$

- Accessories
- Electronic lock
- Handle lock
- Cylinder lock
- Plane lock
- Rod control lock**
- Panel lock
- Toggle and hook
- Handles
- Door stop
- Hinge
- Seal gasket

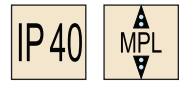
Specification	Model	ERP
PA housing and handle	MS865-1	MS865N00140002
PA housing and pocked coated ZDC handle	MS865-1A	MS865N00140006



Remark: Generally rod prepared by user as per the frame instruction and lock stroke

ERP MS867Z1E082001

MS867



Main material and finish: Yellow gray powder coated ZDC handle and housing, white zinc-plated ZDC rod
 Application: Handle rotation to open or close rapidly, easy assembling
 Remark: Default Key K082

Performance parameter:
 Handle load tension capability: $\phi 490N$

Accessories
Electronic lock
Handle lock
Cylinder lock
Plane lock
Rod control lock
Panel lock
Toggle and hook
Handles
Door stop
Hinge
Seal gasket

Accessories

Electronic lock

Handle lock

Cylinder lock

Plane lock

Rod control lock

Panel lock

Toggle and hook

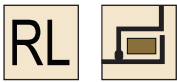
Handles

Door stop

Hinge

Seal gasket

MS867-8

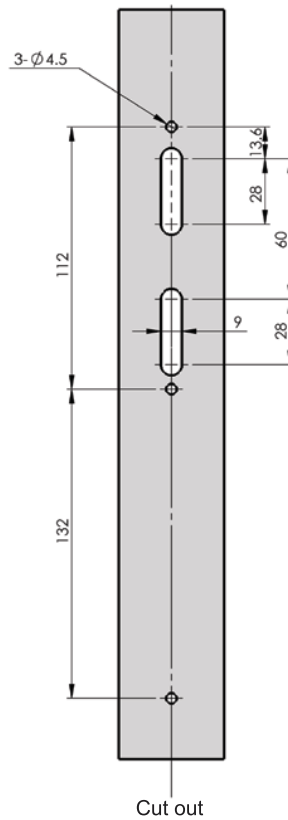
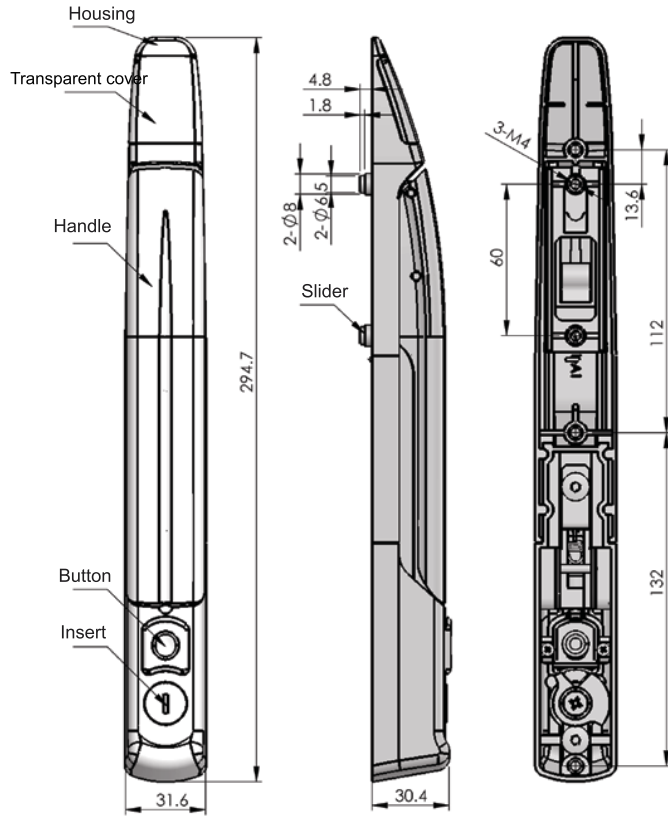


Main material and finish: RAL7035 ZDC housing, handle and button, zinc plated slider.

Application: Turn the key and press the button, the handle can automatically pop up, thus driving the slider to move and open the door

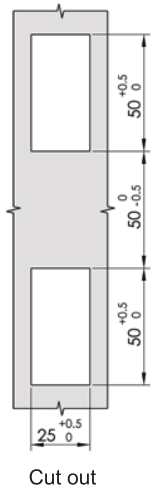
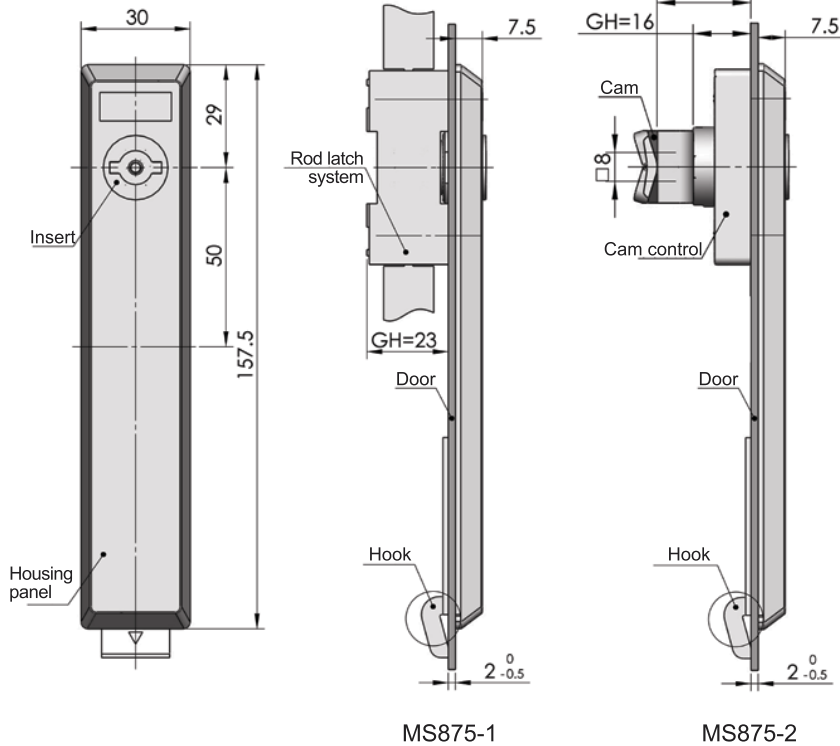
Remark: Default Key K14

Rod structure is same as MS867



ERP

MS867Z2A140001



Optional Accessories:
 See cam latch system Mb9 series on P175
 Rod latch system Mb4 series on P192



Double bit 4mm



Triangular 8mm



Square 8mm



Square 7mm

Specification	Rod latch system		Cam latch system		Optional key
	Model	ERP	Model	ERP	
Double bit	MS875-1-1	MS875N00T02014	MS875-2-1	MS875N00T02013	K15-1A K15-1F
Triangular 8mm	MS875-1-2	MS875N00T04001	MS875-2-2	MS875N00T04003	K15-3 K15-3F
Square 7mm	MS875-1-3	MS875N00T06001	MS875-2-3	MS875N00T06003	K15-6 K15-6F
Square 8mm	MS875-1-4	MS875N00T07001	MS875-2-4	MS875N00T07003	K15-4 K15-4F

MS875-1
MS875-2



Main material and finish: Black PA panel, steel cam and rod, bright chrome-plated ZDC insert
 Application: Insert quarter-turn combines with rod latch system to open or close
 Remark: Default Key K15

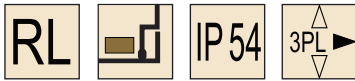
Default cam: S1B45Y07005 (Cam type)

Performance parameter:
 Maximum Input torque : ϕ 10N.m

- Accessories
- Electronic lock
- Handle lock
- Cylinder lock
- Plane lock
- Rod control lock
- Panel lock
- Toggle and hook
- Handles
- Door stop
- Hinge
- Seal gasket

- Accessories
- Electronic lock
- Handle lock
- Cylinder lock
- Plane lock
- Rod control lock
- Panel lock
- Toggle and hook
- Handles
- Door stop
- Hinge
- Seal gasket

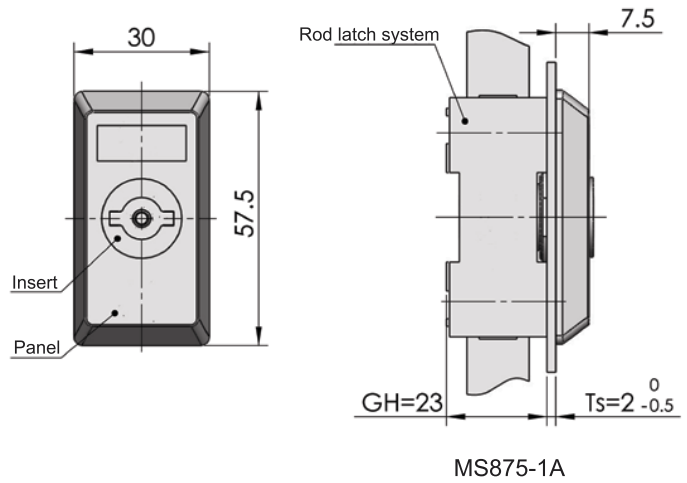
MS875-1A
MS875-2A



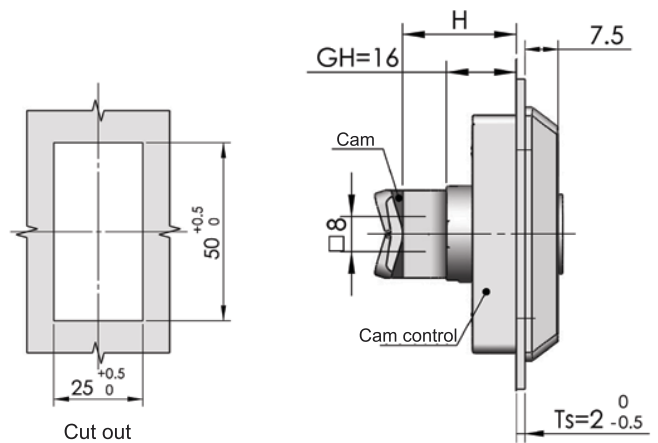
Main material and finish: Black PA panel, bright chrome-plated ZDC insert, white zinc-plated steel cam and rod
 Application: Insert quarter-turn combines with rod latch system to open or close
 Remark: Default Key K15 series

Default cam: S1B45Y07002 (Cam type)

Performance parameter:
 Maximum Input torque : $\phi 10N.m$

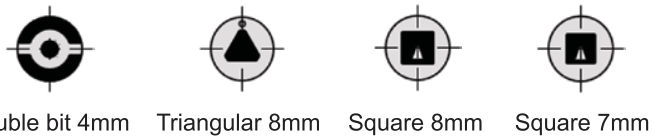


MS875-1A

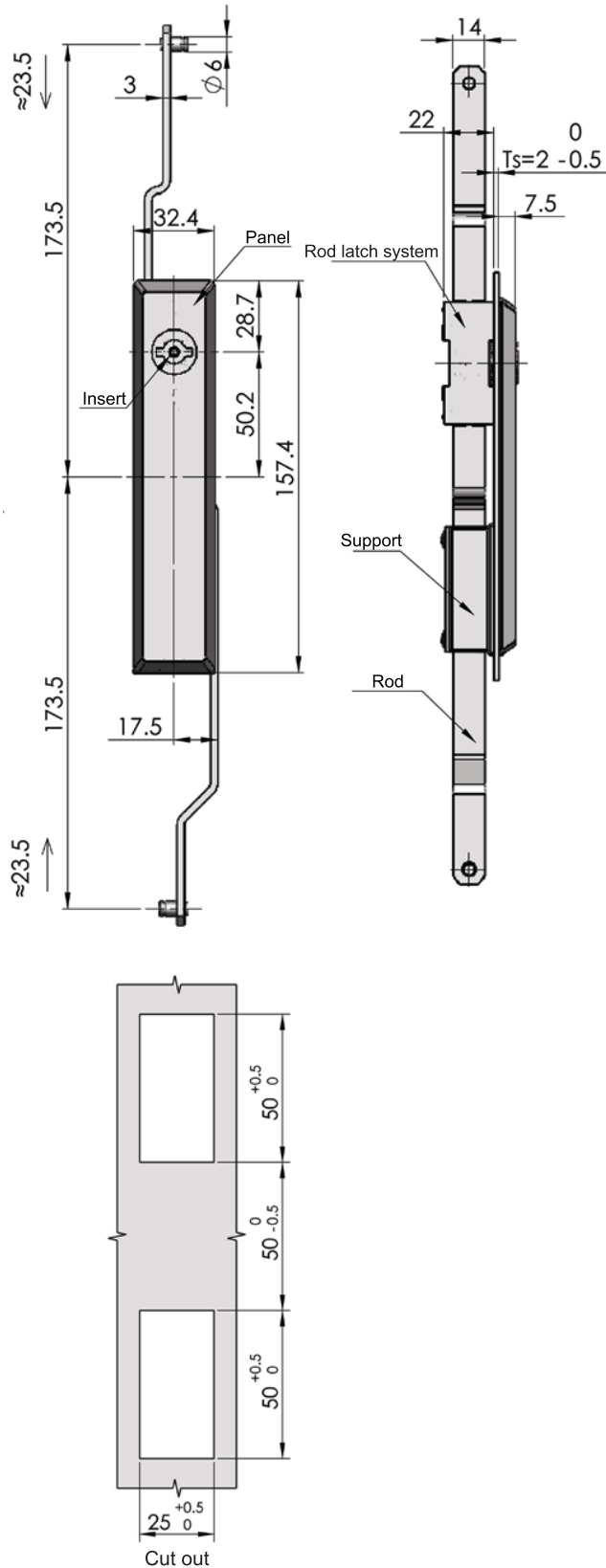


MS875-2A

Optional Accessories:
 See cam latch system Mb9 series on P174
 Rod latch system Mb5 series on P192



Specification	Rod latch system		Cam latch system		Optional key
	Model	ERP	Model	ERP	
Double bit	MS875-1A-1	MS875N00T03001	MS875-2A-1	MS875N00T02019	K15-1A K15-1F
Triangular 8mm	MS875-1A-2	MS875N00T04002	MS875-2A-2	MS875N00T04008	K15-3 K15-3F
Square 7mm	MS875-1A-3	MS875N00T06002	MS875-2A-3	MS875N00T06004	K15-6 K15-6F
Square 8mm	MS875-1A-4	MS875N00T07002	MS875-2A-4	MS875N00T07004	K15-4 K15-4F



MS875-3



Main material and finish: PA housing and panel, Zinc-plated steel cam and rod, chrome-plated ZDC insert

Application: Insert 90° rotation combines with rod latch system to open or close

Remark: Optional K15 series tool key

Performance parameter:

Maximum Input torque : $\phi 10N.m$

ERP MS875N00T01002
 Remark: Default cam S1B3011D

- Accessories
- Electronic lock
- Handle lock
- Cylinder lock
- Plane lock
- Rod control lock
- Panel lock
- Toggle and hook
- Handles
- Door stop
- Hinge
- Seal gasket

- Accessories
- Electronic lock
- Handle lock
- Cylinder lock
- Plane lock
- Rod control lock**
- Panel lock
- Toggle and hook
- Handles
- Door stop
- Hinge
- Seal gasket

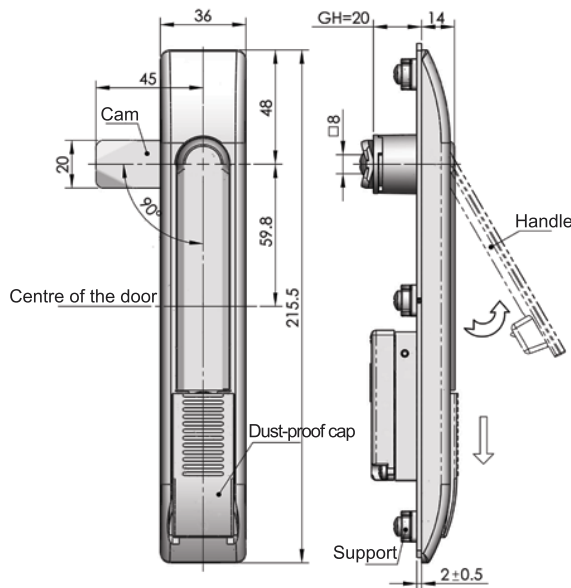
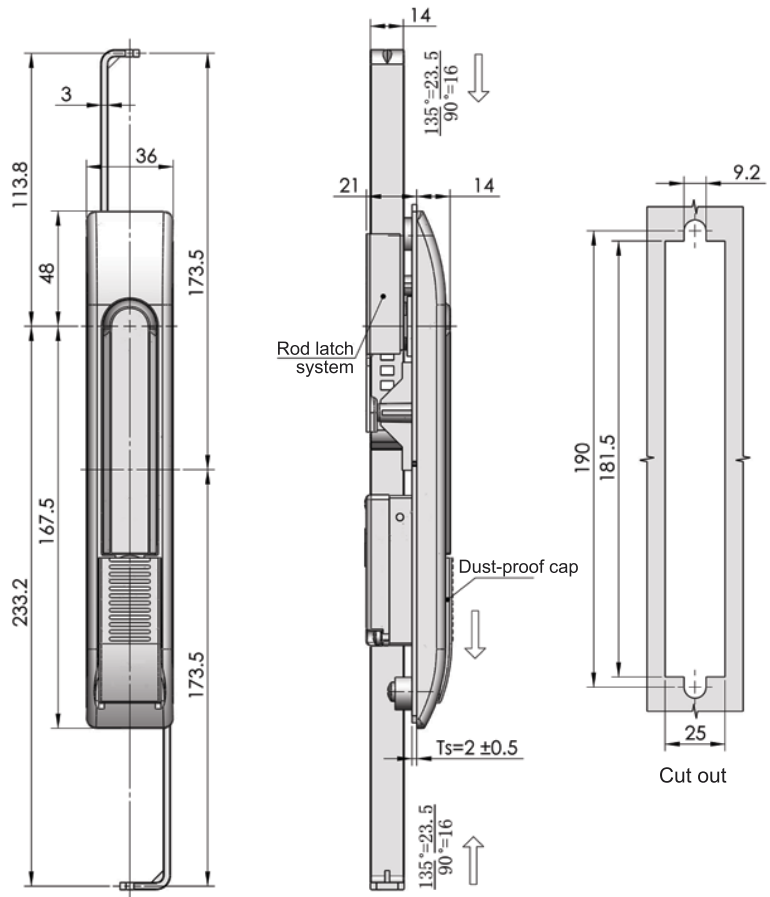
MS876



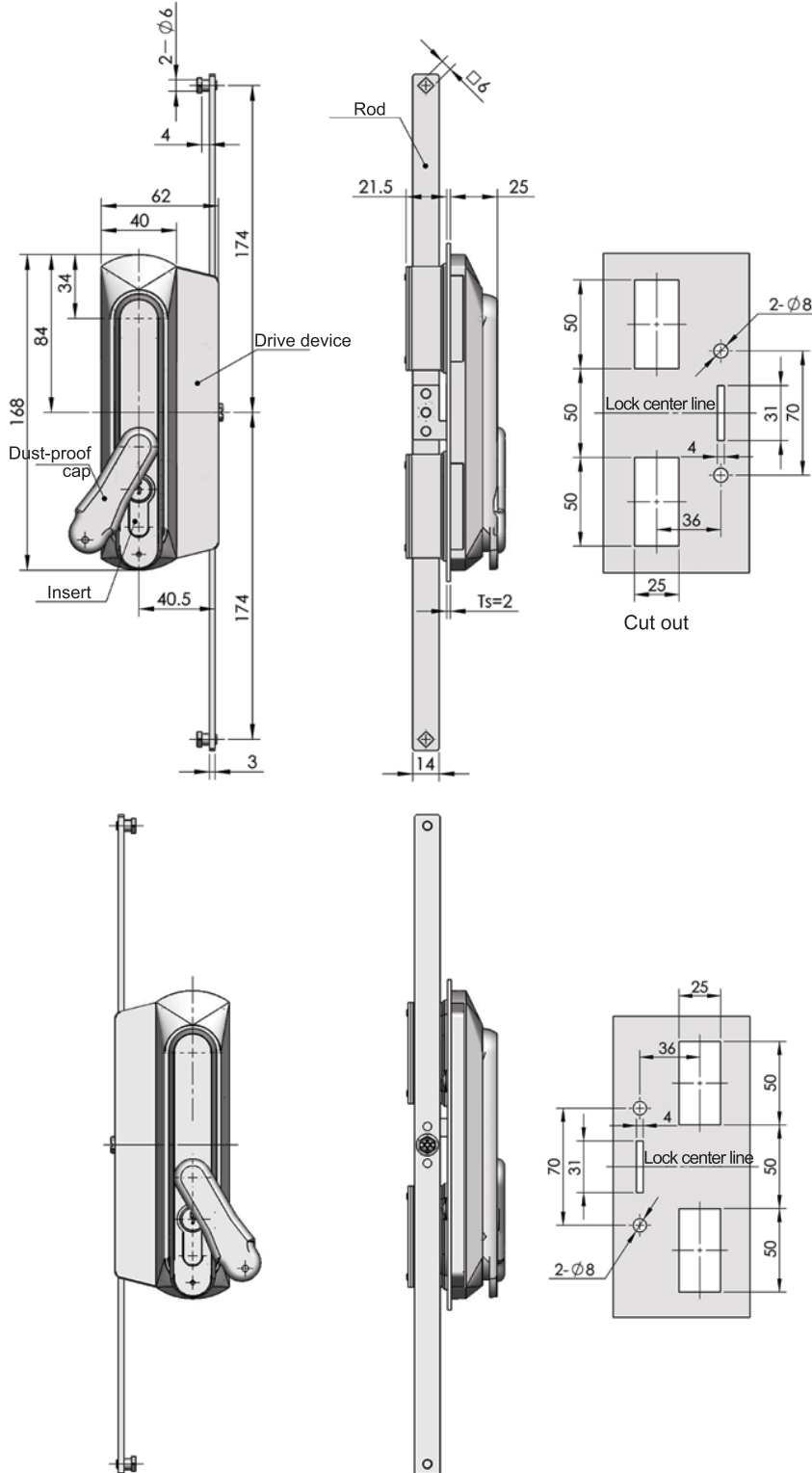
Main material and finish: Black PA housing, bright chrome plated ZDC handle, white zinc-plated steel rod
 Application: Handle rotation combines with rod latch to open or close
 Remark: Default key K140

Default cam: S1B45Y07002 (Cam type)

Performance parameter:
 Handle load tension capability: $\phi 490\text{N}$
 Handle load torque capability: $\phi 26\text{N.m}$



	MS876-1	MS876-2
ERP	MS876N00140014	MS876N00140010



Remark: Change the drive device position to realize LH or RH

Specification	Model	ERP
With dust-proof cap handle and TC series insert	MS882-1A	MS882N00140003
With simple insert handle	MS882-1B	MS882N00140006
With simple insert handle and buckle	MS882-1C	MS882N00140004
With sliding dust-proof cap and TC series insert	MS882-1D	MS882N00140005

MS882



Main material and finish: Black PA lock body, white zinc-plated steel rod
 Remark: Default key K140

Performance parameter:

Handle load tension capability: $\phi 330N$

Handle load torque capability: $\phi 30N.m$

Accessories

Electronic lock

Handle lock

Cylinder lock

Plane lock

Rod control lock

Panel lock

Toggle and hook

Handles

Door stop

Hinge

Seal gasket