



ETERNA
SOLUTIONS

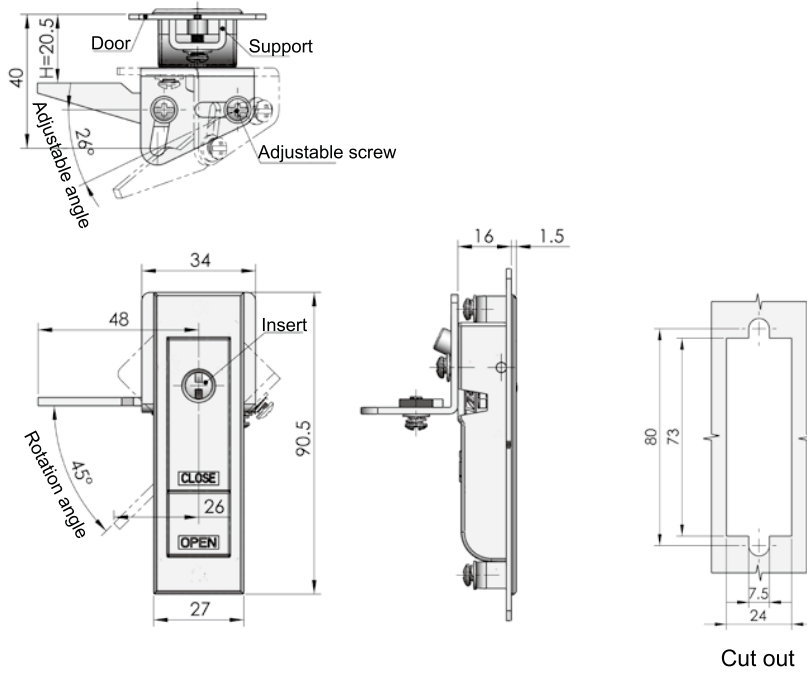
PLANE LOCKS



WWW.ITISETERNA.COM

PLANE LOCK SERIES

 MS703	 MS707	 MS708	 MS710	 MS712	 MS717-1
 MS718	 MS718-3	 MS719	 MS720	 MS723	 MS726-1
 MS726-1A	 MS726-2	 MS727	 MS730	 MS732	 MS736
 MS737	 MS738	 MS818	 MS834-5	 MS839	 MS839-5
 MS843	 MS860-1	 MS861	 MS861-2	 MS861-2A	 MS861-3
 MS861-4	 MS864-3	 MS864-3A	 MS864-4	 MS874	 MS892-1A



Specification	Model	ERP
Cam opening from left rotation	MS703-Z	MS703Z3A000001
Cam opening from right rotation	MS703-Y	MS703Z3A000003

MS703



Main material and finish: Bright chrome-plated ZDC lock body and white zinc-plated steel cam

Application: Quick-open, easy assembling, by adjusting the cam screw to change the H and L of cam

Performance parameter:

Handle load tension capability: $\phi 350N$

Maximum static load: 350N

MS707



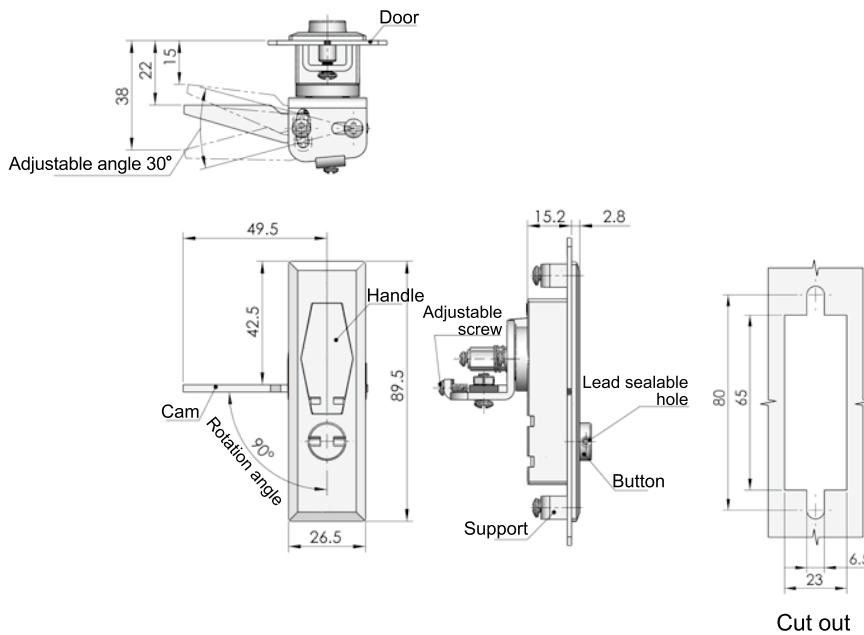
Main material and finish: Blast-spraying and nickle plated ZDC housing, handle, button and insert, white zinc-plated steel cam

Application: Quick-open, easy assembling, by adjusting the cam screw to change the H and L of cam

Performance parameter:

Handle load tension capability: $\phi 900N$

Maximum static load: 350N



Specification	Model	ERP	
		Opening from left rotation	Opening from right rotation
With insert	MS707	MS707Z3I000001	MS707Z3I000002
With lead sealable button	JMS707	MS707Z3I000003	MS707Z3I000004

Accessories

Electronic lock

Handle lock

Cylinder lock

Plane lock

Rod control lock

Panel lock

Toggle and hook

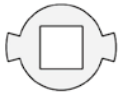
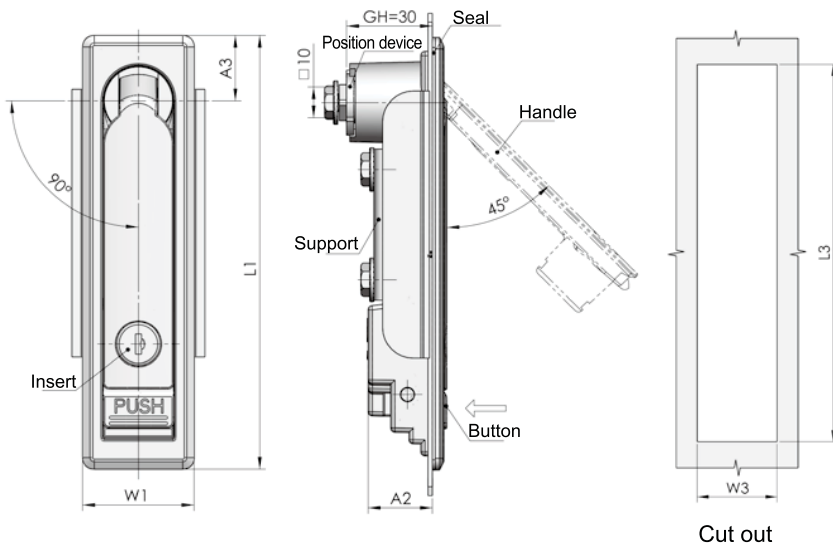
Handles

Door stop

Hinge

Seal gasket

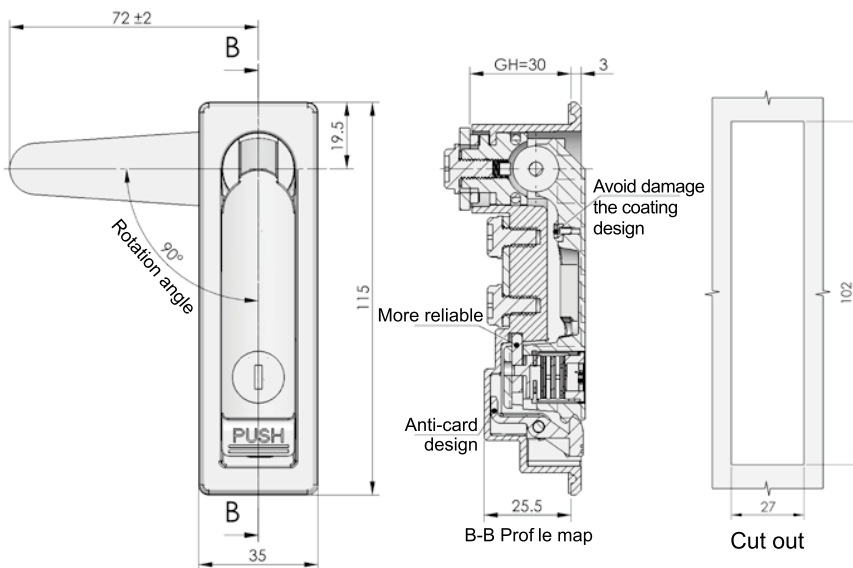
MS712



Remark: Change the fitting position or angle of position device and cam to realize LH or RH application

Model	ERP	L1	L3	W1	W3	GH	A2	A3	Cam	Default key
MS712	MS712Z2B040001	149	139.5	38	29.5	30	22	22.5	S1C7200	K040
MS712-2A	MS712Z2B110001	132	124	33.5	27.5	30	22	17	S1C7200	K110
MS712-3A	MS712Z2B110002	92	84	33.5	27.5	30	22	17	S1C7200	K110
MS713	MS713Z2B090001	110	102	33.5	27	30	22	17	S1C6200	K090

MS713-Q



MS712 MS713



RL **IP54**

Main material and finish: Nanometer painted ZDC housing and handle, ZDC insert, white zinc plated steel support and cam

Application: Quick-open, easy assembling. One-point locking or three-point locking function will be achieved with different cam mounted on

Remark: The default key of MS713-Q is K040

Default cam: S1C72Y00002

Performance parameter:
 MS712
 Handle load tension capability: ϕ 690N
 Handle load torque capability: ϕ 42 N.m
 MS713
 Handle load tension capability: ϕ 510N
 Handle load torque capability: ϕ 40 N.m
 Maximum static load: 265 N

- Accessories
- Electronic lock
- Handle lock
- Cylinder lock
- Plane lock
- Rod control lock
- Panel lock
- Toggle and hook
- Handles
- Door stop
- Hinge
- Seal gasket

ERP MS713Z2B090010
 Remark : The default cam is S1C7200

Accessories

Electronic lock


Handle lock

Cylinder lock

Plane lock

Rod control lock

MS717-1



RL

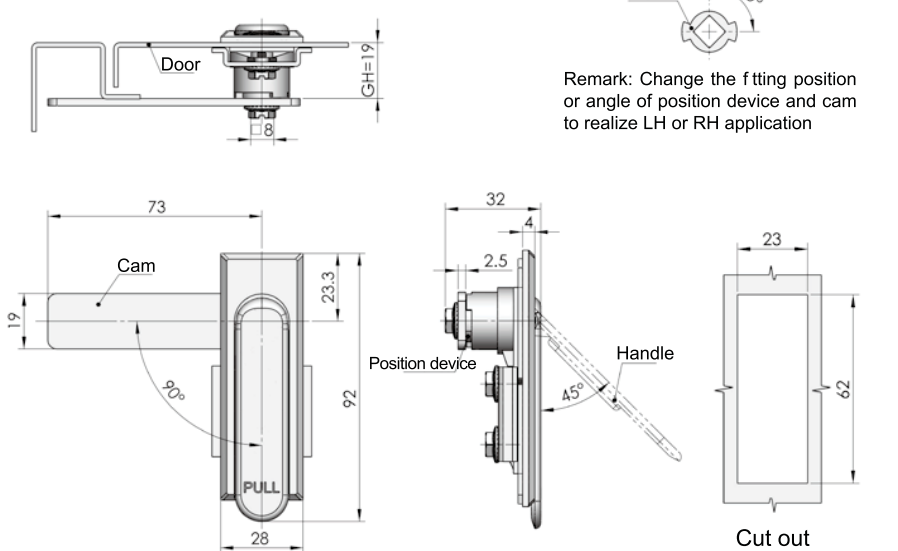
Main material and finish: Black painted ZDC housing and handle, white zinc plated steel support and cam

Application: Quick-open, easy assembling, H variable

Default cam: S1B73Y00001

Performance parameter:

- Handle load tension capability: $\phi 140N$
- Handle load torque capability: $\phi 17 N.m$
- Maximum static load: 150 N



Door

GH=19

8

Position device

90°

Remark: Change the fitting position or angle of position device and cam to realize LH or RH application

73

Cam

19

23.3

92

32

4

2.5

Position device

45°

Handle

23

62

Cut out

ERP MS717Z2A000002

Remark: Default cam is S1B7300 (rhombic hole)

Panel lock

Toggle and hook


Handles

Door stop

Hinge

Seal gasket

MS717-2



RL

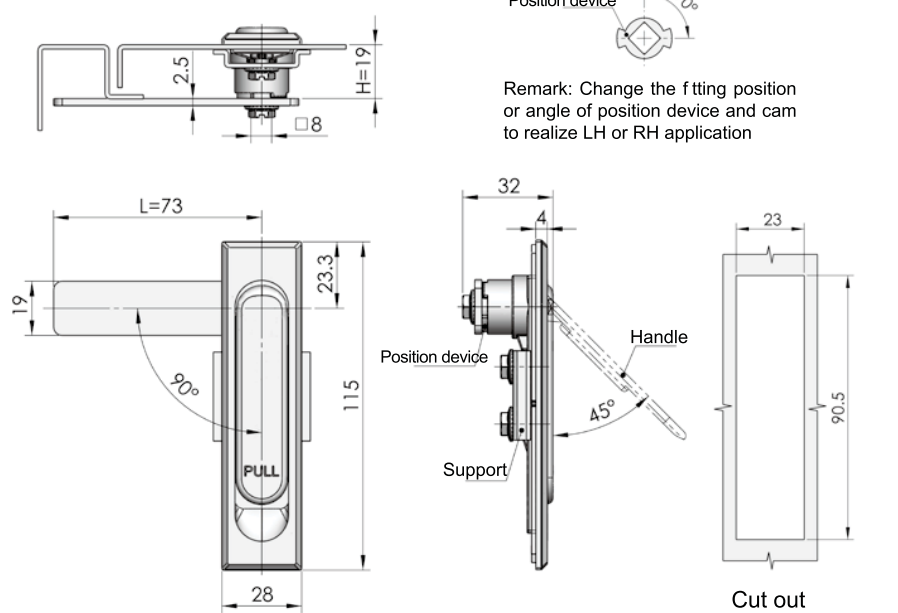
Main material and finish: Silk black powder ZDC housing and handle, white zinc plated steel support and cam

Application: Quick-open, easy assembling, H variable

Default cam: S1B73Y00001

Performance parameter:

- Handle load tension capability: $\phi 125N$
- Handle load torque capability: $\phi 17 N.m$
- Maximum static load: 150 N



Position device

90°

Remark: Change the fitting position or angle of position device and cam to realize LH or RH application

2.5

H=19

8

L=73

19

23.3

115

32

4

2.5

Position device

45°

Handle

Support

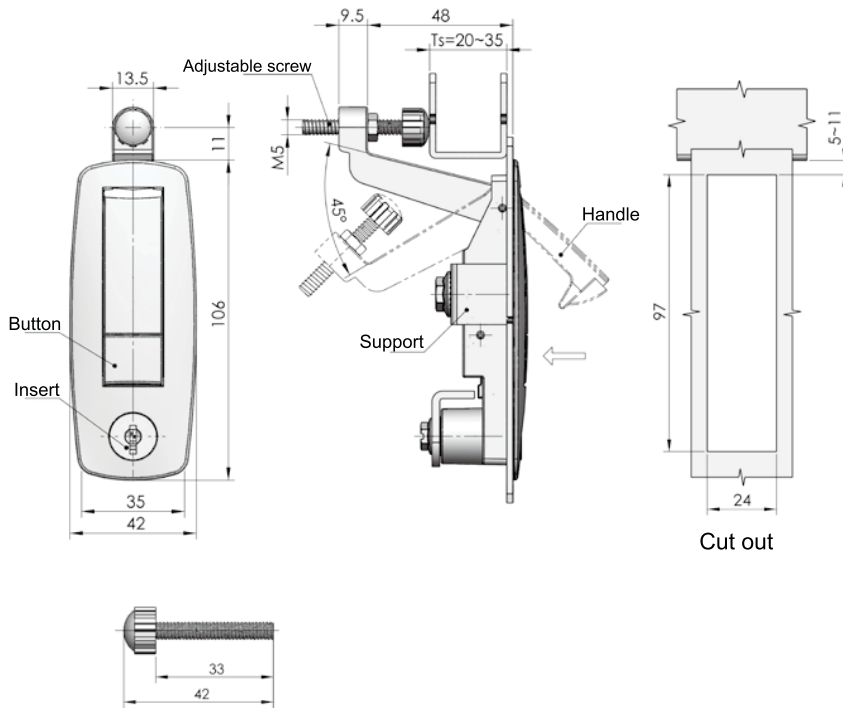
23

90.5

Cut out

ERP MS717Z2A000009

Remark: Default cam is S1B7300 (rhombic hole)



Remark: Default adjusting screw, others on request

ERP MS718Z1A180001

MS718



Main material and finish: Black powder coated ZDC housing, handle and button, ZDC insert, white zinc plated steel screw
 Application: Quick-open, easy assembling, by adjusting screw meets the need of distance control
 Remark: Default key K180

Performance parameter:
 Handle load tension capability: $\phi 750N$
 Maximum static load: 200N

Accessories

Electronic lock

Handle lock

Cylinder lock

Plane lock

Rod control lock

Panel lock

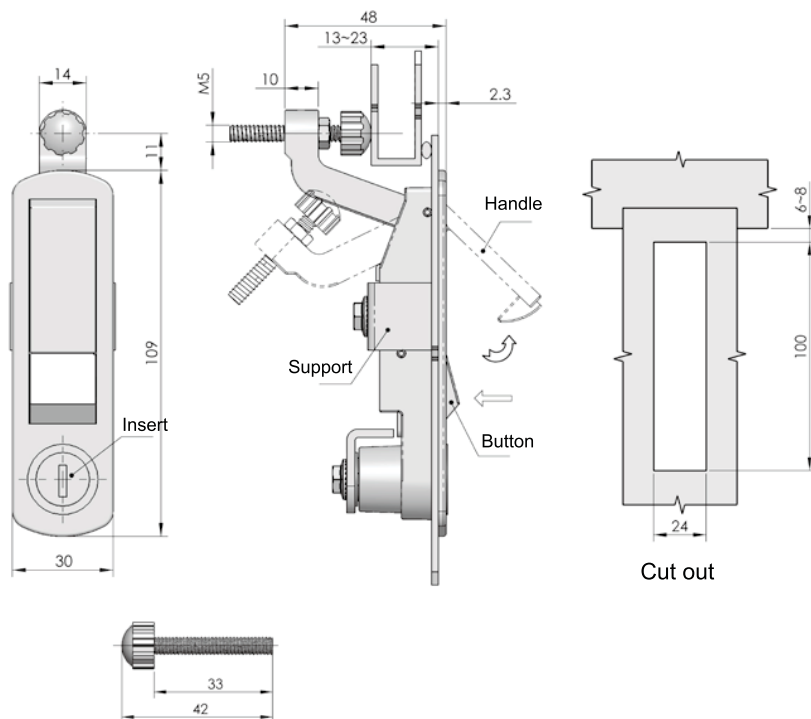
Toggle and hook

Handles

Door stop

Hinge

Seal gasket



Remark: Default adjusting screw, others on request

ERP MS718Z1A160016

MS718-2



Main material and finish: silk black powder coated ZDC housing, handle, insert and button, white zinc-plated screw
 Application: Quick-open, easy assembling, by adjusting screw to meet the need of distance control
 Remark: default key K160

Performance parameter:
 Handle load tension capability: $\phi 540N$
 Maximum static load: 200N

Accessories

Electronic lock

Handle lock

Cylinder lock

Plane lock

Rod control lock

Panel lock

Toggle and hook

Handles

Door stop

Hinge

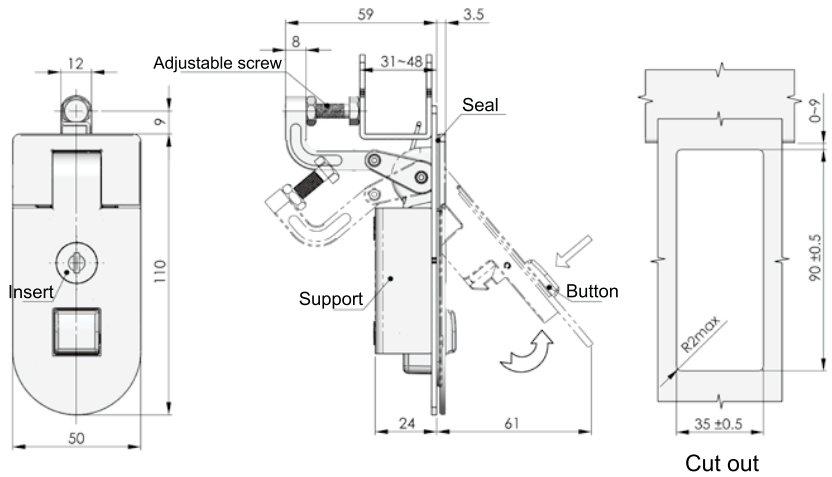
Seal gasket

MS718-3



Main material and finish: Black powder coated ZDC housing, handle, insert and button, white zinc plated steel screw
 Application: Quick-open, easy assembling, by adjusting screw meets the need of distance control
 Remark: Default key K160

Performance parameter:
 Handle load tension capability: $\phi 1500N$
 Maximum static load: 290 N



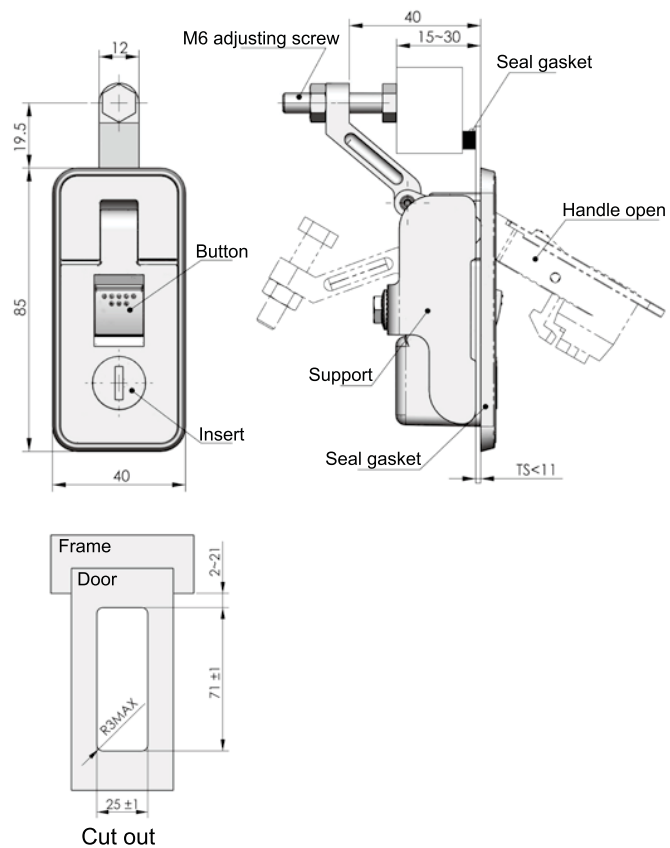
ERP MS718Z1A160001

MS718-3C

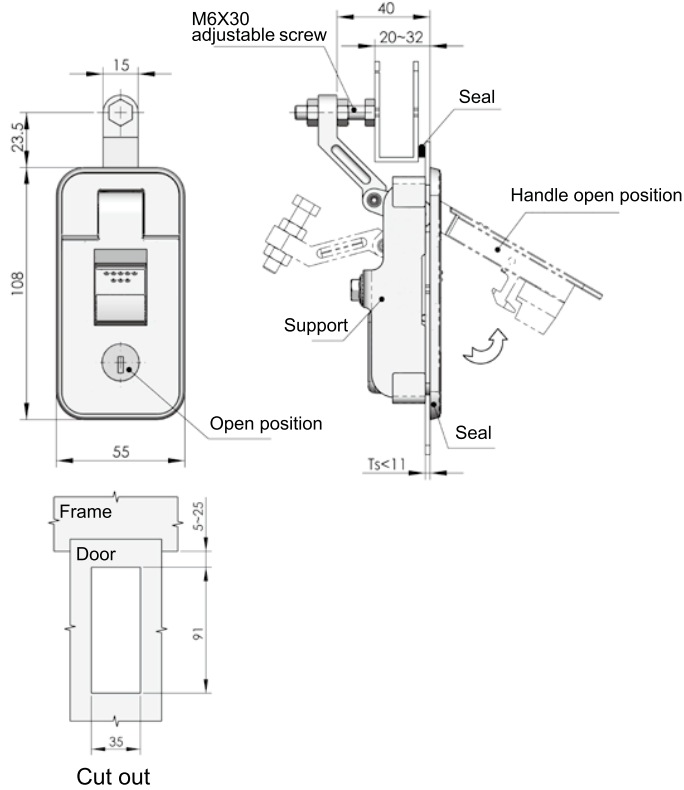


Main material and finish: Bright chrome-plated ZDC housing, handle and button, white zinc-plated support, connection, screw
 Application: Quick open, easy assembling, adjust nut to fit different H
 Remark: Default K650 key

Performance parameter:
 Handle load tension capability: $\phi 1300N$
 Maximum static load: 290N



ERP MS718Z3A650001



ERP MS718Z3A650002

MS718-4C



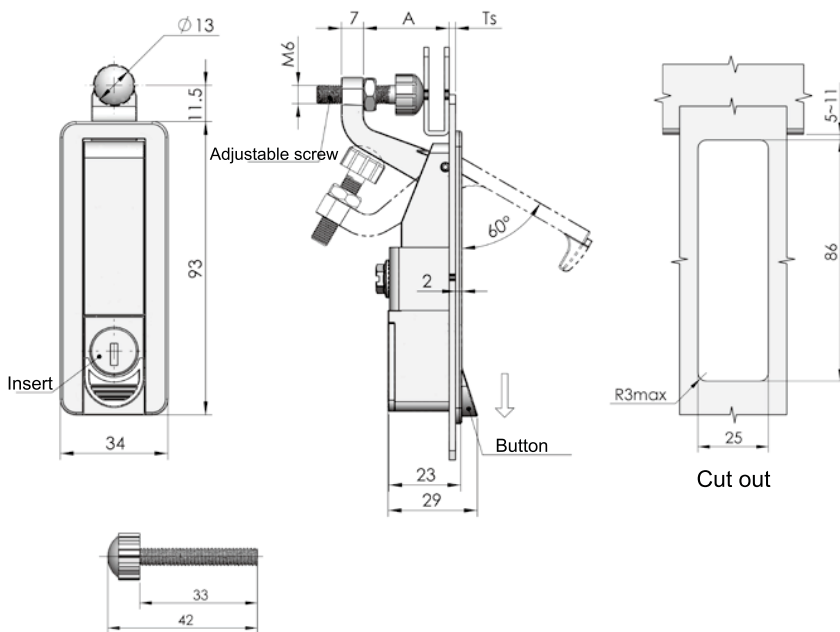
Main material and finish: Bright chrome-plated ZDC housing, handle and button, white zinc-plated foot, connector, support and screw.

Application: Quick-open, easy assembling, by adjusting screw meets the need of distance control

Remark: Default key K650

Performance parameter:
 Handle load tension capability: $\phi 790N$
 Maximum static load: 290N

- Accessories
- Electronic lock
- Handle lock
- Cylinder lock
- Plane lock
- Rod control lock



Remark: Default adjusting screw, others on request

Specifcation	A=29		A=50	
	Model	ERP	Model	ERP
With insert	MS719-1	MS719Z1A020001	MS719-2	MS719Z1A020002
Without insert	MS719-1A	MS719Z1A000001	MS719-2A	MS719Z1A000002

MS719



Main material and finish: Black powder coated ZDC housing, handle, insert and button, white zinc plated steel screw

Application: Quick-open, easy assembling, by adjusting screw meets the need of distance control

Remark: Default key K020

Performance parameter:
 Handle load tension capability: $\phi 345N$
 Maximum static load: 200N

- Panel lock
- Toggle and hook
- Handles
- Door stop
- Hinge
- Seal gasket

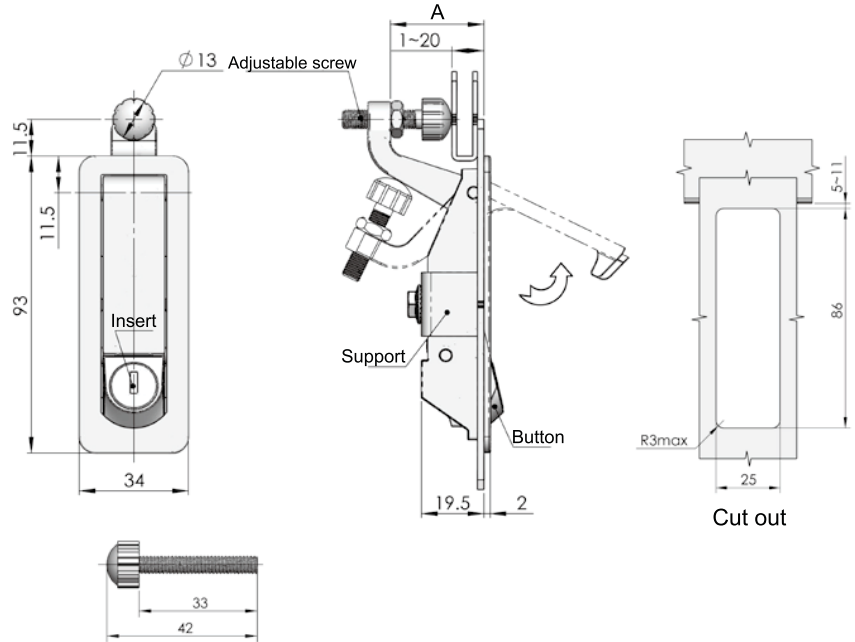
- Accessories
- Electronic lock
- Handle lock
- Cylinder lock
- Plane lock
- Rod control lock
- Panel lock
- Toggle and hook
- Handles
- Door stop
- Hinge
- Seal gasket

MS719-1C



Main material and finish: Black painted ZDC housing, handle, insert and button, white zinc plated steel screw
 Application: Quick-open, easy assembling, by adjusting screw meets the need of distance control
 Remark: Default key K020

Performance parameter:
 Handle load tension capability: ϕ 1200N
 Maximum static load: 200N



Remark: Default adjusting screw, others on request

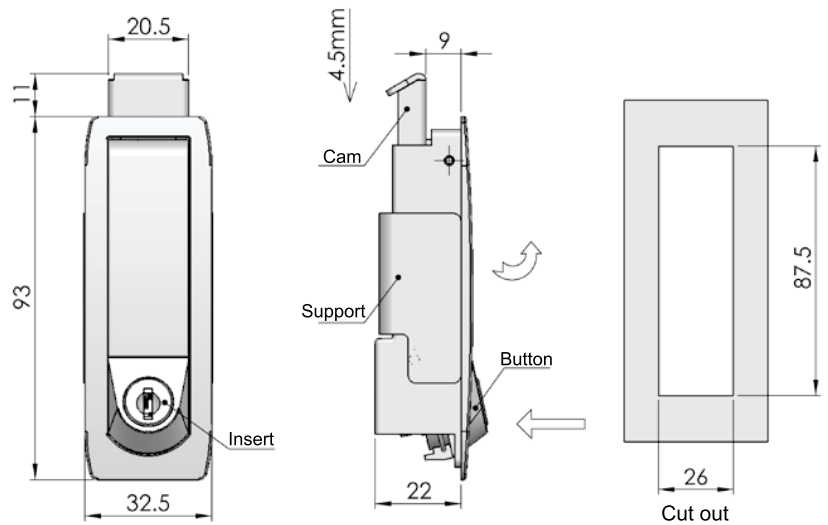
Specification	A=29		A=50	
	Model	ERP	Model	ERP
With insert	MS719-1C	MS748Z3A160009	MS719-2C	MS719Z1A020008
Without insert	MS719-1CA	MS748Z3A160002	MS719-2CA	MS719Z1A000005

MS719-1U



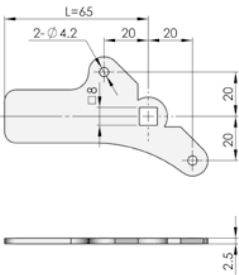
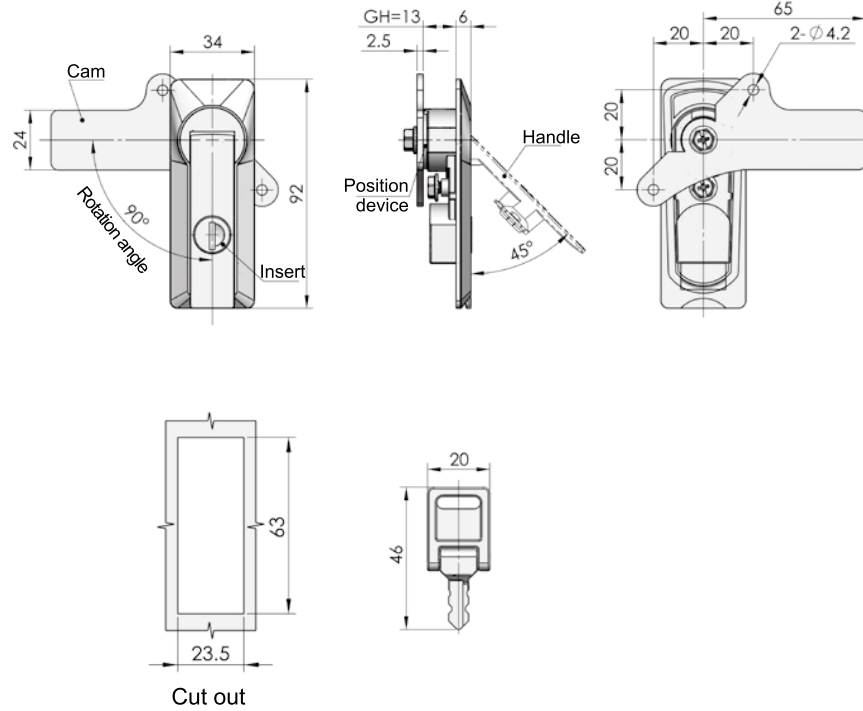
Main material and finish: Sand-blast black painted housing, handle, button, insert, white zinc-painted cam and support
 Application: press button, and the handle bounce automatically, put up the handle to open

Performance parameter:
 Handle load tension capability: ϕ 200N
 Maximum static load: 200N



ERP MS719Z2A400001

MS723



Default cam S3B6500



Remark: Change the fitting position of position device and cam to adjust the height. Change the fitting direction to suit RH or LH application

RL

Main material and finish: Nanometer painted ZDC housing and handle, white zinc-plated steel cam
 Application: Open the handle upward, quarter-turn opening
 Remark: Default key K083

Default cam: S3B65Y00002

Performance parameter:
 Handle load tension capability: ϕ 130N
 Handle load torque capability: ϕ 18N.m
 Maximum static load: 200N

ERP MS723Z2B080001

Remark: Default cam is S3B6500

- Accessories
- Electronic lock
- Handle lock
- Cylinder lock
- Plane lock**
- Rod control lock
- Panel lock
- Toggle and hook
- Handles
- Door stop
- Hinge
- Seal gasket

- Accessories
- Electronic lock
- Handle lock
- Cylinder lock
- Plane lock**
- Rod control lock
- Panel lock
- Toggle and hook
- Handles
- Door stop
- Hinge
- Seal gasket

MS723-3



MS723-2

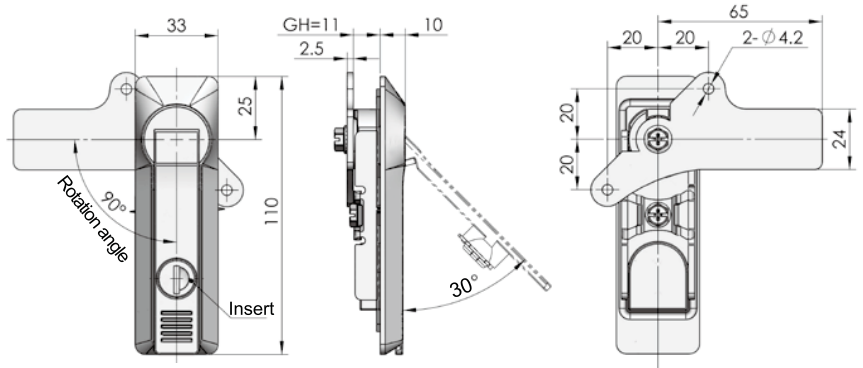


Main material and finish: Nanometer painted ZDC housing and handle
 Application: Quarter-turn opening or closing, adjust cam direction to realize RH or LH application
 Remark: Default key K082

Default cam: S3B65Y00002

Performance parameter:
 Handle load tension capability: $\phi 98N$
 Handle load torque capability: $\phi 14N.m$
 Maximum static load: 200N

MS723-2

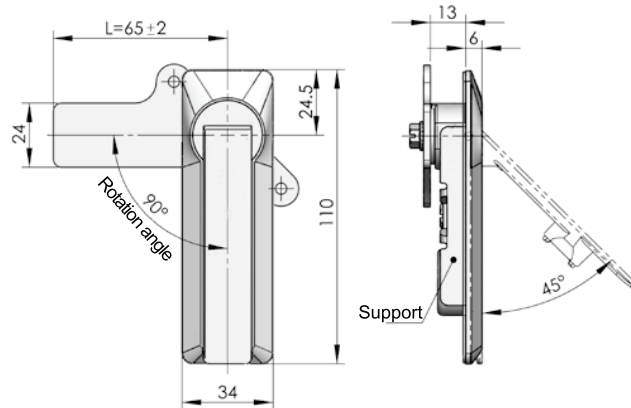


ERP

MS723Z2B082002

Remark: Default cam is S3B6500

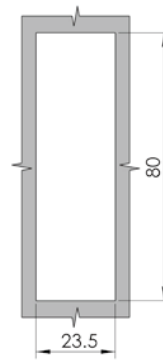
MS723-3



ERP

MS723Z2B000001

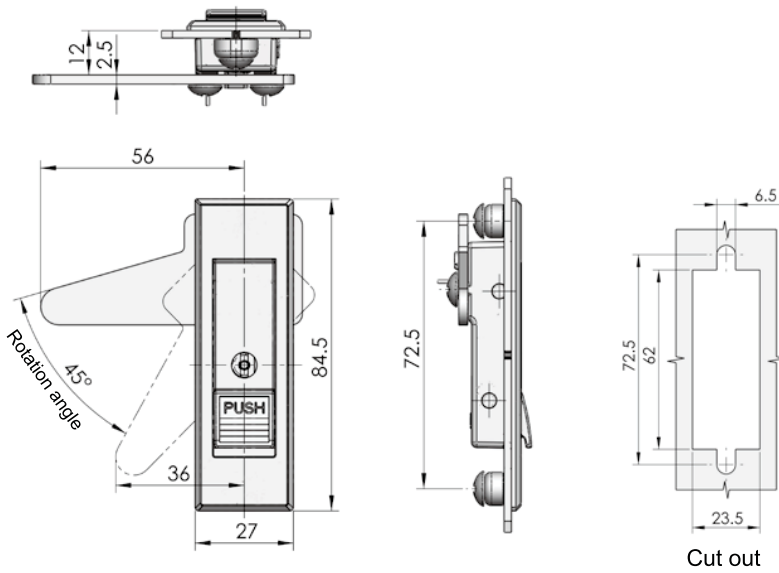
Remark: Default cam is S3B6500



Cut out

Default key





180 degree cam rotation to realize LH or RH (only for cam without bend)

Specification	Model	ERP	
		Nanometer painted	Sand-blast chrome-painted
ZDC button, with insert	MS720-1	MS720Z2B000001	MS720Z3H000014
ZDC button, without insert	MS720-2	MS720Z2B000015	MS720Z3H000025
Plastic button, with insert	MS720-1H	MS720Z2B000002	MS720Z3H000002
Plastic button, without insert	MS720-2H	MS720Z2B000007	MS720Z3H000004

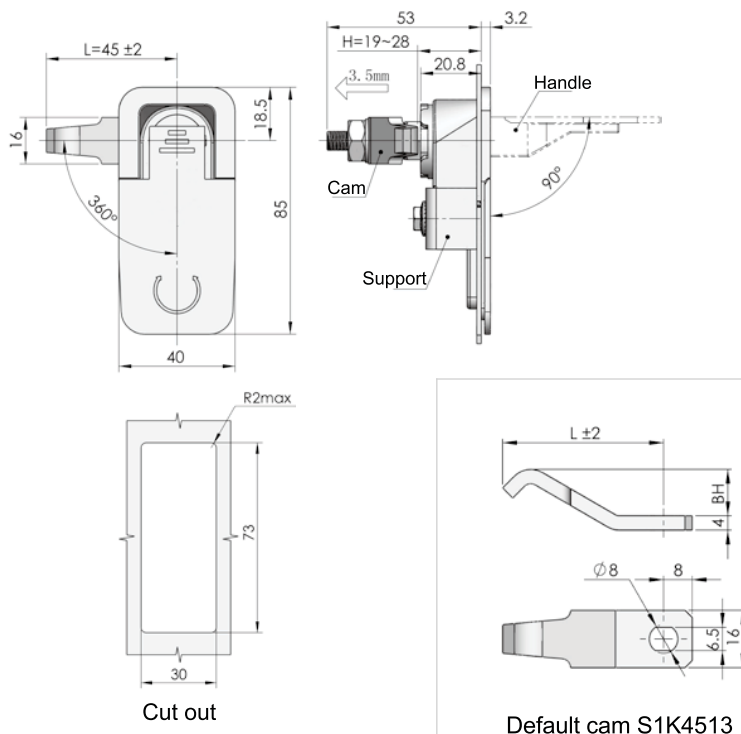
MS720



Main material and finish: ZDC housing, insert, ZDC button or PA button, white zinc-plated steel cam
 Application: Quick-open, easy assembling, H variable

Default cam: S1D56Y00002

Performance parameter:
 Handle load tension capability: $\phi 555N$
 Maximum static load: 350N



Default cam S1K4513

MS726-1



Main material and finish: ZDC housing and handle, white zinc plated steel support and cam
 Application: Quick-open, easy assembling. H variable by adjusting nut with the function of telescopic

Default cam: S1K45N13004

Performance parameter:
 Handle load tension capability: $\phi 420N$
 Maximum static load: 400N

	Black powder coated housing, handle	Bright chrome-plated housing, handle	Nanometer painted housing, handle
ERP	MS726Z1A000001	MS726Z3A000001	MS726Z2B000001

Accessories
 Electronic lock
 Handle lock
 Cylinder lock
 Plane lock
 Rod control lock
 Panel lock
 Toggle and hook
 Handles
 Door stop
 Hinge
 Seal gasket

Accessories
Electronic lock
Handle lock
Cylinder lock
Plane lock
Rod control lock
Panel lock
Toggle and hook
Handles
Door stop
Hinge
Seal gasket

MS726-1A

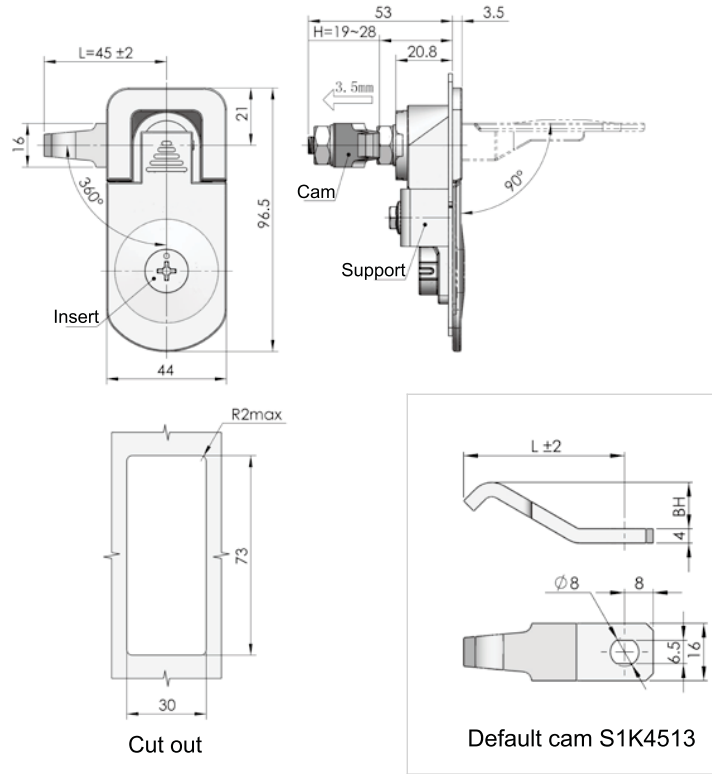


Main material and finish: Sand-spraying and bright chrome-plated ZDC housing, handle and insert, white zinc plated steel support and cam

Application: Quick-open, easy assembling, H variable by adjusting nut with the function of telescopic

Default cam: S1K45N13004

Performance parameter:
Handle load tension capability: $\phi 420N$
Maximum static load: 400N



ERP MS726Z3H000003

MS726-2

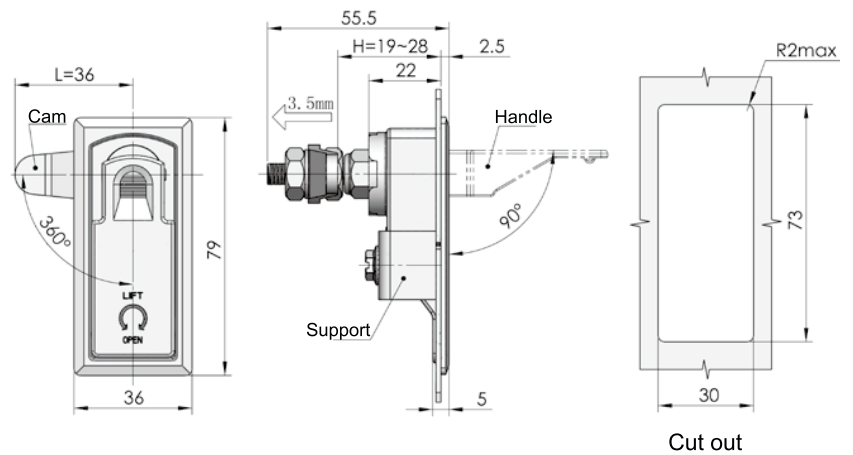


Main material and finish: ZDC housing and handle. white zinc plated steel support and cam

Application: Quick-open, easy assembling. H variable by adjusting nut with the function of telescopic

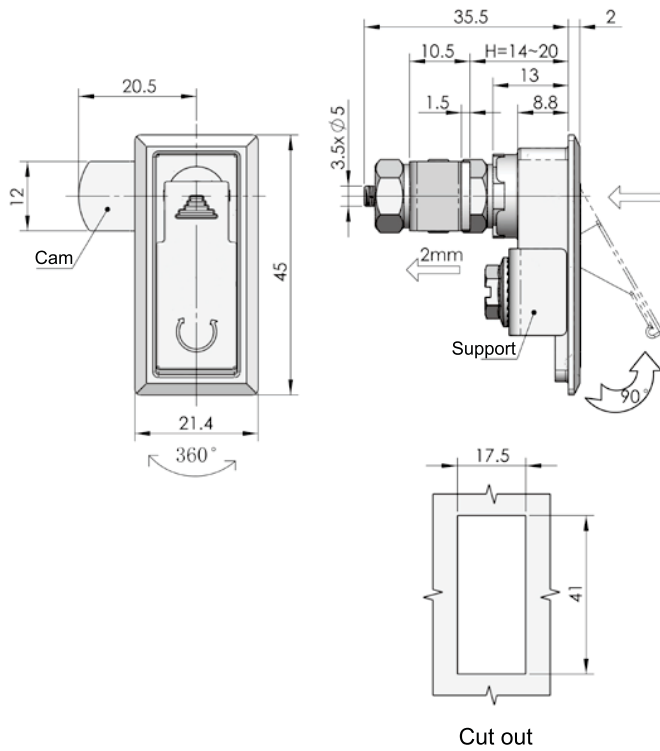
Default cam: S1K36N06001

Performance parameter:
Handle load tension capability: $\phi 280N$
Maximum static load: 400N



	Black powder coated housing, handle	Bright chrome-plated housing, handle	Nanometer painted housing, handle
ERP	MS726Z1A000013	MS726Z3A000002	MS726Z2B000004

Remark: The default cam S1K36N06(Cut size $\phi 8 \times 6.5$)



ERP MS726Z2A000009

MS726-3



Main material and finish: Black painted ZDC housing and handle, white zinc plated steel support and cam

Application: Quick-open , easy assembling, H variable by adjusting nut with the function of telescopic

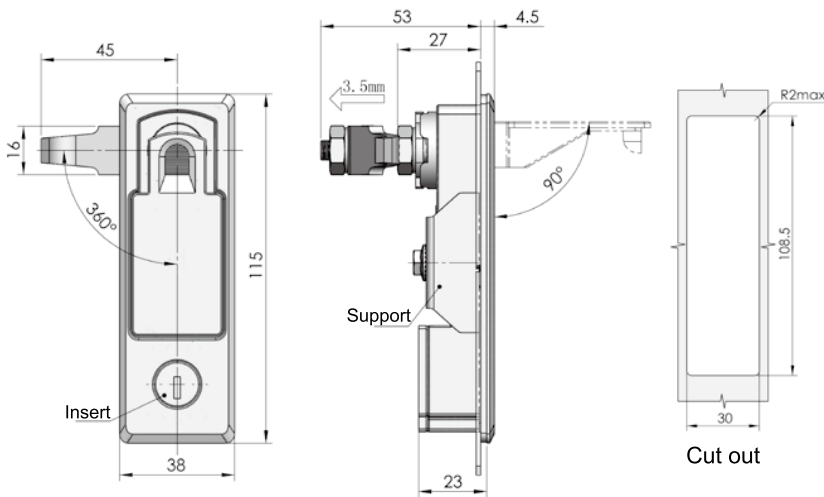
Default cam: S1W21N09001

Performance parameter:

Handle load tension capability: $\phi 245N$

Maximum static load: 220N

- Accessories
- Electronic lock
- Handle lock
- Cylinder lock
- Plane lock
- Rod control lock



ERP MS727Z1A020002

MS727



Main material and finish: Black powder coated ZDC housing and handle, ZDC insert, white zinc plated steel support and cam

Application: Quick-open , easy assembling, H variable by adjusting nut with the function of telescopic

Remark: Default key K020

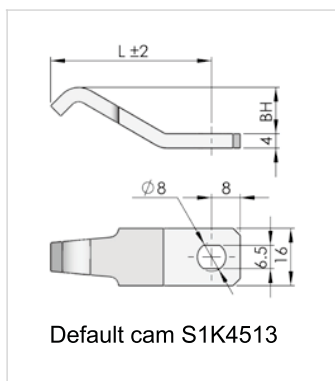
Default cam: S1K45N13004

Performance parameter:

Handle load tension capability: $\phi 690N$

Maximum static load: 430N

- Panel lock
- Toggle and hook
- Handles
- Door stop
- Hinge
- Seal gasket



Default cam S1K4513

Accessories

Electronic lock

Handle lock

Cylinder lock

Plane lock

Rod control lock

Panel lock

Toggle and hook

Handles

Door stop

Hinge

Seal gasket

MS728



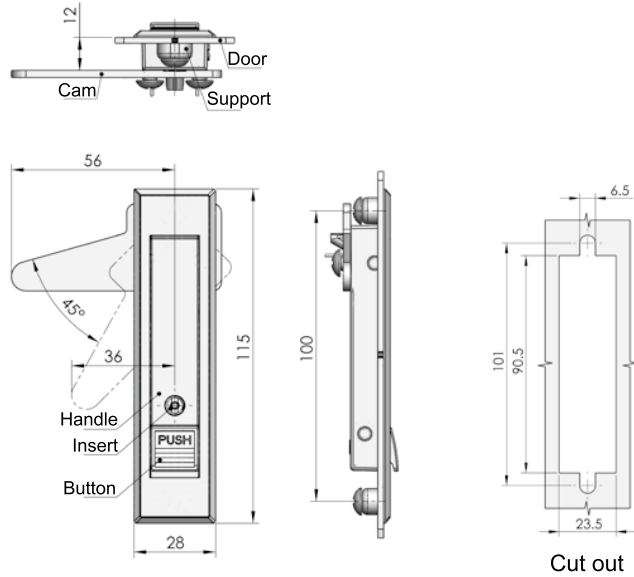
RL

Main material and finish: Sand-spraying and chrome-plated ZDC housing and insert, ZDC button or PA button, white zinc-plated steel cam

Application: Quick-open, easy assembling, H variable, Bend the cam to suit the different H

Default cam: S1D56Y00002

Performance parameter:
Handle load tension capability: ϕ 500N
Maximum static load: 350N



180 degree cam rotation to realize LH or RH (only for cam without bend)

Specification	Model	ERP	
		Nanometer painted	Sand-blast chrome-painted
ZDC button, with insert	MS728-1	MS728Z2B000005	MS728Z3H000001
ZDC button, without insert	MS728-2	MS728Z2B000006	MS728Z3H000005
Plastic button, with insert	MS728-1H	MS728Z2B000003	MS728Z3H000002
Plastic button, without insert	MS728-2H	MS728Z2B000004	MS728Z3H000006

MS730



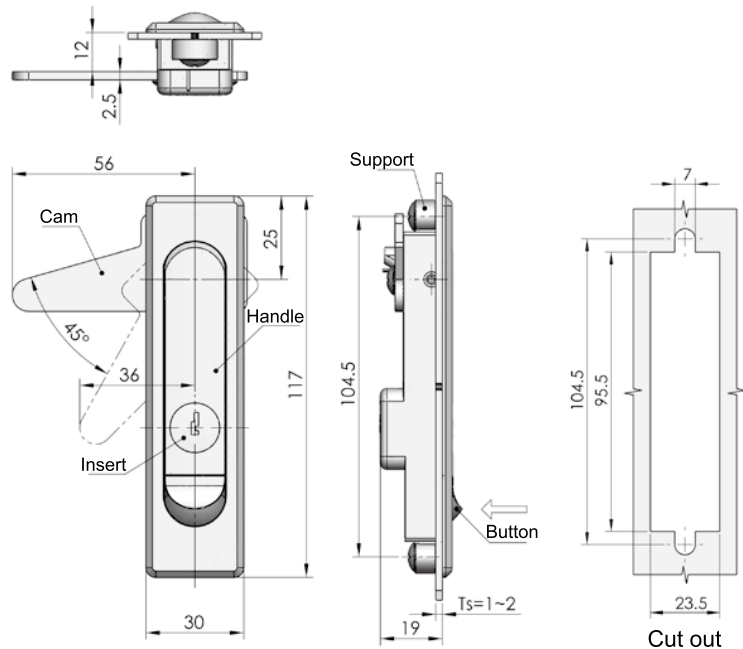
RL

Main material and finish: ZDC housing, insert, and button, white zinc-plated steel cam

Application: Quick-open, easy assembling, H variable, Bend the cam to suit the different H
Remark: Default key K200

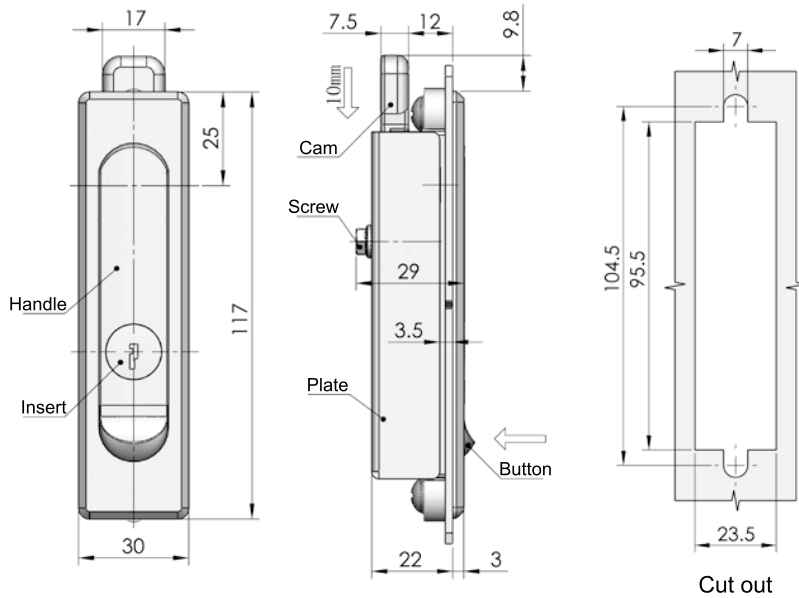
Default cam: S1D56Y00002

Performance parameter:
Handle load tension capability: ϕ 600N
Maximum static load: 350N



180 degree cam rotation to realize LH or RH (only for cam without bend)

	Painted (black) housing, handle	Nanometer painted housing, handle
ERP	MS730Z2A200001	MS730Z2B200018



MS730-1A



Main material and finish: ZDC housing, insert, and button, white zinc-plated ZDC cam

Application: Quick-open, easy assembling, front-end of lock tongue is suitable to special frame structure

Default cam: S1D56Y00002

Performance parameter:
 Handle load tension capability: $\phi 540N$
 Maximum static load: 400N

	Painted (black) housing, handle	Nanometer painted housing, handle
ERP	MS730Z2A200002	MS730Z2B200002

Accessories

Electronic lock

Handle lock

Cylinder lock

Plane lock

Rod control lock

Panel lock

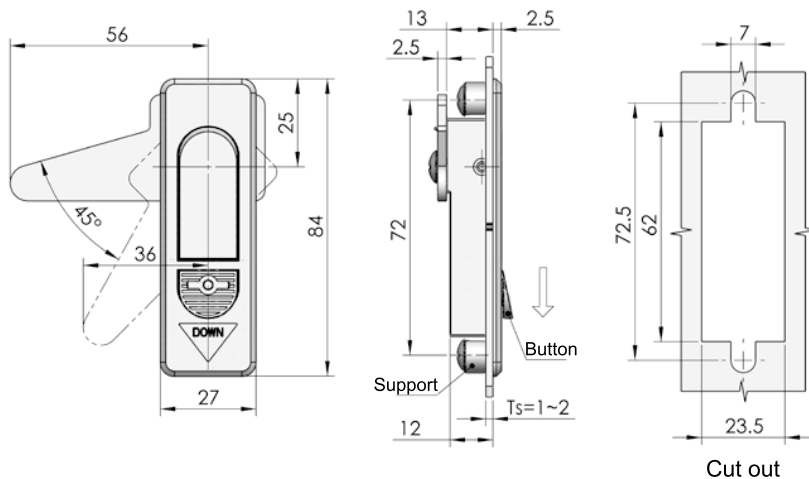
Toggle and hook

Handles

Door stop

Hinge

Seal gasket



MS732



RL

Main material and finish: Bright chrome-plated ZDC housing, handle and button, zinc-plated steel cam

Application: Quick-open design, easy installation. Bend the cam to suit the different H

Default cam: S1D56Y00002

Performance parameter:
 Handle load tension capability: $\phi 555N$
 Maximum static load: 350N

180 degree cam rotation to realize LH or RH (only for cam without bend)

ERP	MS732Z3A000001
-----	----------------

Accessories
Electronic lock
Handle lock
Cylinder lock
Plane lock
Rod control lock
Panel lock
Toggle and hook
Handles
Door stop
Hinge
Seal gasket

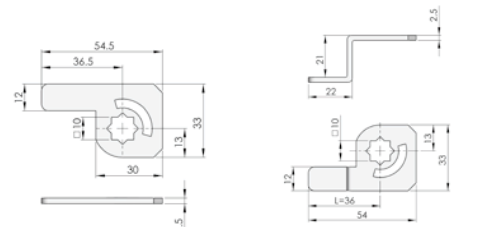
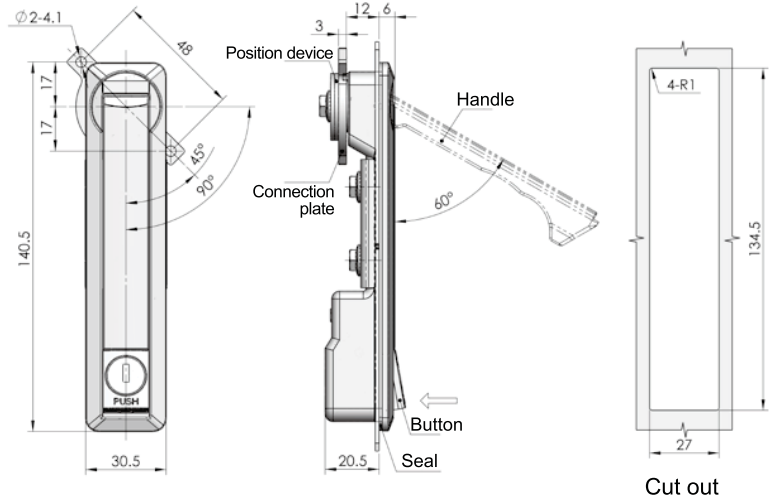
MS736



RL

Main material and finish: Nanometer painted ZDC housing and handle, ZDC insert, white zinc plated steel support and cam
 Application: Quick-open, easy assembling, one-point locking or three-point locking function will be achieved with different cam mounted on
 Remark: Default key k060
 Default cam: 2893240002

Performance parameter:
 Handle load tension capability: $\phi 980N$
 Handle load torque capability: $\phi 14N.m$
 Maximum static load: 270N



Optional cam S1C3700D Optional cam S1C3621D

ERP **MS736Z2B060001**
 Remark: The default cam is S2C2400

Remark: Change the assembling position of the position device and cam to adjust the stop height, thickness of position device is 1.5mm, change the fitting direction of position device to realize RH or LH application

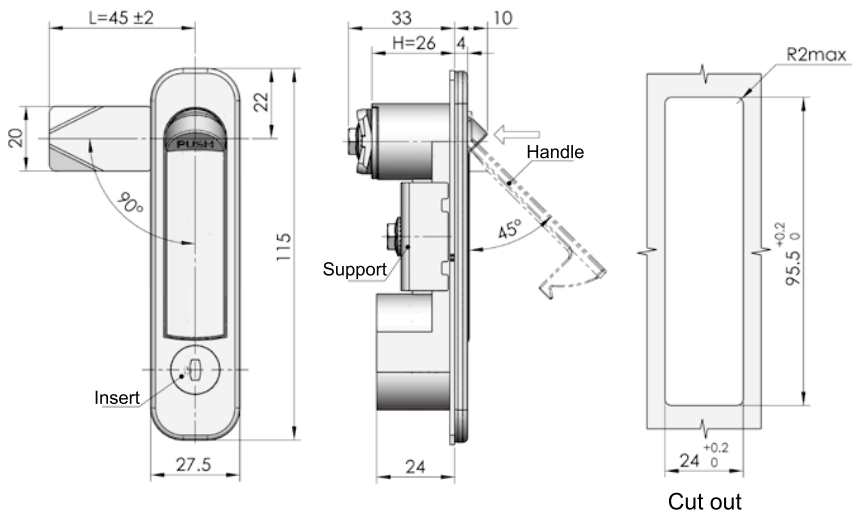
MS737



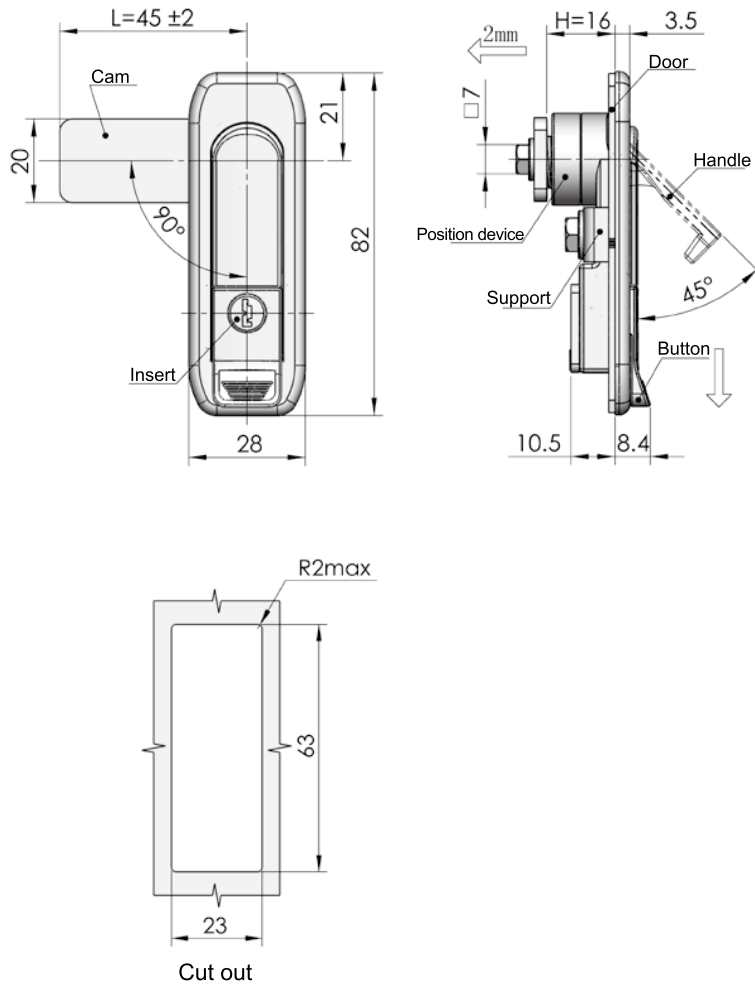
RL

Main material and finish: Nanometer painted ZDC housing and handle, ZDC insert, white zinc plated steel support and cam
 Application: Quick-open, easy assembling. One-point locking or three-point locking function will be achieved with different cam mounted on.
 Remark: Default key k110
 Default cam: S1B45Y00002

Performance parameter:
 Handle load tension capability: $\phi 340N$
 Handle load torque capability: $\phi 11N.m$
 Maximum static load: 270N



ERP **MS737Z2B110001**
 Remark: The default cam is S1B4500(Option 8*8cam)



MS738



Main material and finish: Nanometer painted ZDC housing, handle and button, ZDC insert, white zinc plated steel support and cam

Application: Quick-open, easy assembling. One-point locking or three-point locking function will be achieved with different cam mounted on

Remark: Default key k113

Default cam: S1A45Y00004

Performance parameter:

Handle load tension capability: $\phi 250N$

Handle load torque capability: $\phi 14N.m$

Maximum static load: 270N

Remark: Change the fitting direction of position device and cam to realize RH or LH application

Specification	Model	ERP
With insert	MS738-1	MS738Z2B110009
Without insert	MS738-2	MS738Z2B000002

Remark: The default cam is S1A4500

Accessories

Electronic lock

Handle lock

Cylinder lock

Plane lock

Rod control lock

Panel lock

Toggle and hook

Handleless

Door stop

Hinge

Seal gasket

Accessories

Electronic lock

Handle lock

Cylinder lock

Plane lock

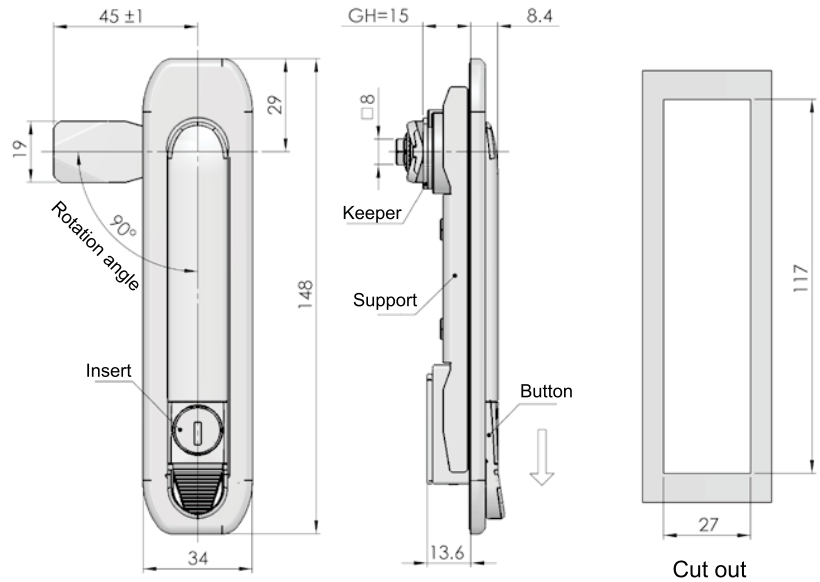
Rod control lock

MS738-1A

Material: Zamak housing, handle, cylinder Q235 support, cam
 Finish: Nanometer painted housing, handle, button, white zinc plated support cam
 Structure : Quick-open, easy assembling. One-point locking and three-point locking function will be achieved with different cam mounted on.
 Remark: The default key of it is K020

Default cam: S1B45Y00005

Performance parameter:
 Handle load tension capability: $\phi 690N$
 Handle load torque capability: $\phi 40N.m$
 Maximum static load: 270N



Remark: Change the fitting position of the position device and cam can be adjusted the GH, the thickness of the position device is 1.5mm. Change the location of the position device can realize the LH or RH application

ERP MS738Z2B020002

Panel lock

Toggle and hook

Handles

Door stop

Hinge

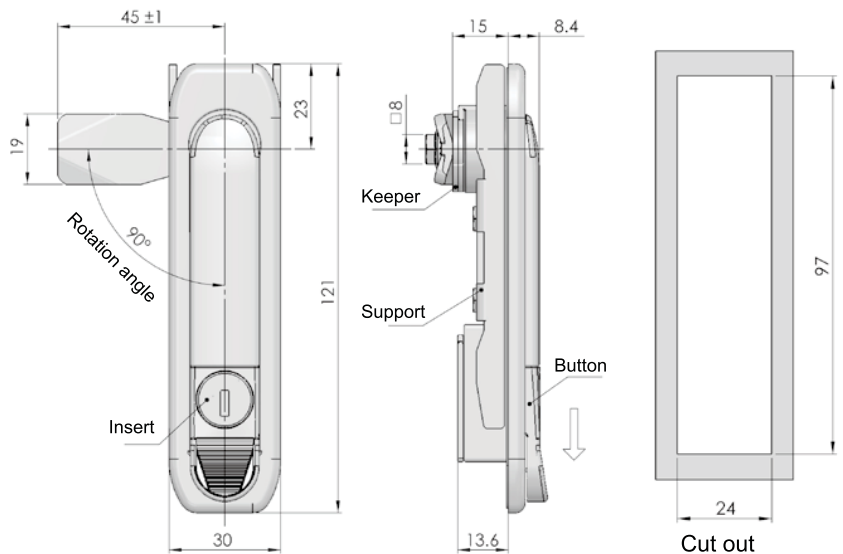
Seal gasket

MS738-2A

Material: Zamak housing, handle, cylinder Q235 support, cam
 Finish: Nanometer painted housing handle, white zinc plated support cam
 Structure : Quick-open, easy assembling. One-point locking and three-point locking function will be achieved with different cam mounted on.
 Remark: The default key of it is K020

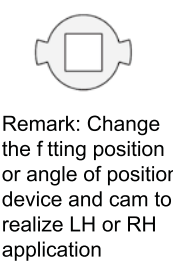
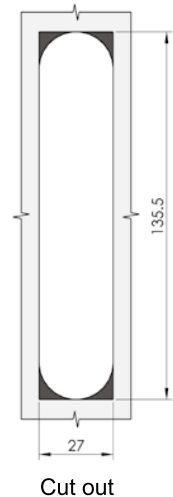
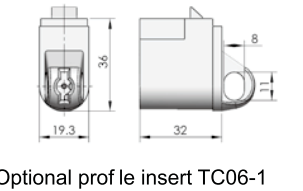
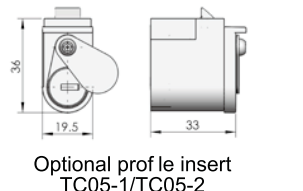
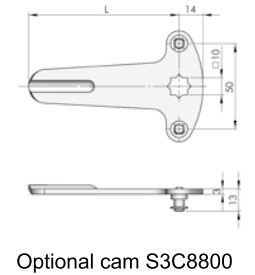
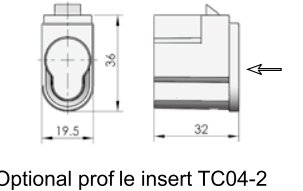
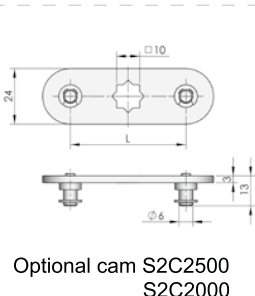
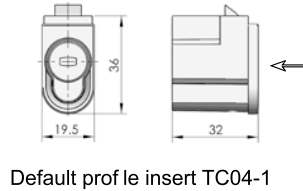
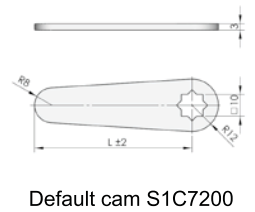
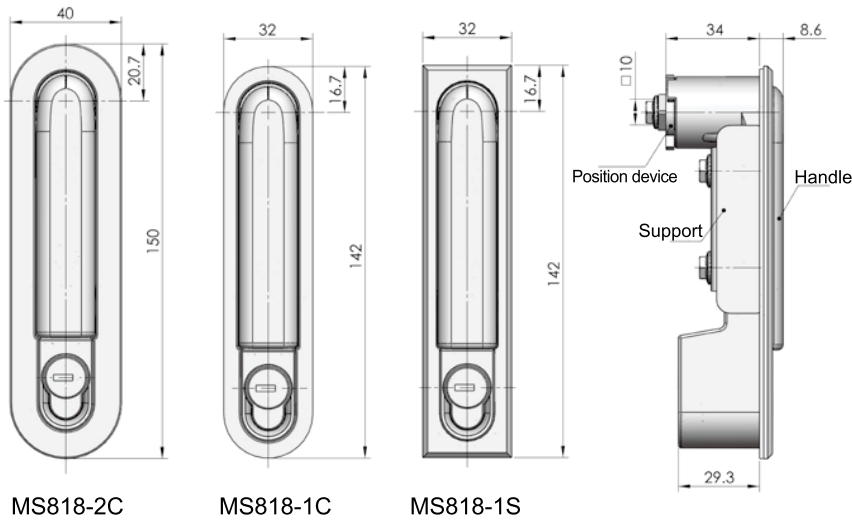
Default cam: S1B45Y00005

Performance parameter:
 Handle load tension capability: $\phi 510N$
 Handle load torque capability: $\phi 40N.m$
 Maximum static load: 270N

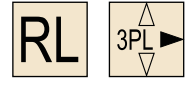


Remark: Change the fitting position of the position device and cam can be adjusted the GH, the thickness of the position device is 1.5mm. Change the location of the position device can realize the LH or RH application

ERP MS738Z2B020001



MS818



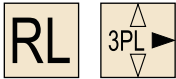
Main material and finish: Black powder coated aluminium-alloy housing and ZDC handle, bright chrome plated ZDC profile insert, white zinc plated steel support and cam
 Application: Quick-open, easy assembling. one-point locking or three-point locking function will be achieved with different cam mounted on
 Remark : Default profile insert TC04-1, Default key K040
 Default cam: S1C72Y00002
 Performance parameter:
 MS818-1S:
 Handle load tension capability: $\phi 250N$
 Handle load torque capability: $\phi 30N.m$
 MS818-1C/2C:
 Handle load tension capability: $\phi 430N$
 Handle load torque capability: $\phi 25N.m$
 Max static load : 300N

- Accessories
- Electronic lock
- Handle lock
- Cylinder lock
- Plane lock**
- Rod control lock
- Panel lock
- Toggle and hook
- Handles
- Door stop
- Hinge
- Seal gasket

Program	ERP	
	Black powder coated	Nanometer painted
MS818-1C	MS818Z1A040001	MS818A2B040001
MS818-2C	MS818A1A040003	MS818A2B040003
MS818-1S	MS818Z1A040003	MS818Z2B040003

- Accessories
- Electronic lock
- Handle lock
- Cylinder lock
- Plane lock**
- Rod control lock
- Panel lock
- Toggle and hook
- Handles
- Door stop
- Hinge
- Seal gasket

MS818-3B



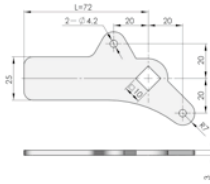
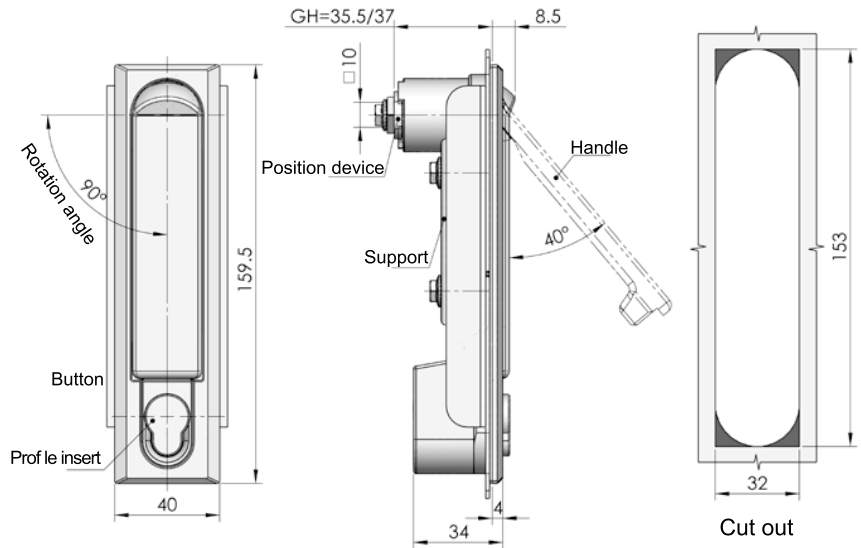
Main material and finish: Nanometer painted housing, handle, bright chrome-plated ZDC profile insert, white zinc-plated steel support and cam

Application: Quick-open, easy assembling, change cam to have one-point or three point locking function

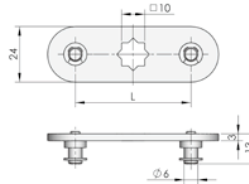
Remark: Default profile insert TC04-2, default key K040

Default cam: S3C72Y00002

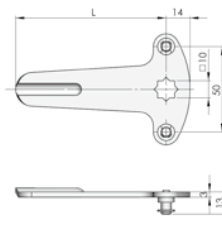
Performance parameter:
 Handle load tension capability: $\phi 500N$
 Handle load torque capability: $\phi 28N.m$
 Maximum static load: 300N



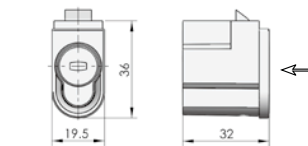
Default cam S3C7200



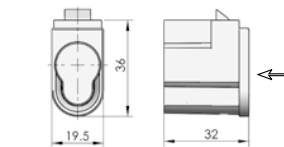
Optional cam S2C2500
S2C2000



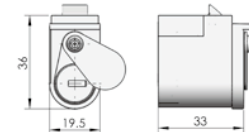
Optional cam S3C8800



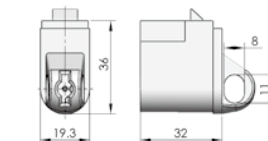
Default profile insert TC04-1



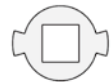
Optional profile insert TC04-2



Optional profile insert TC05-1/TC05-2

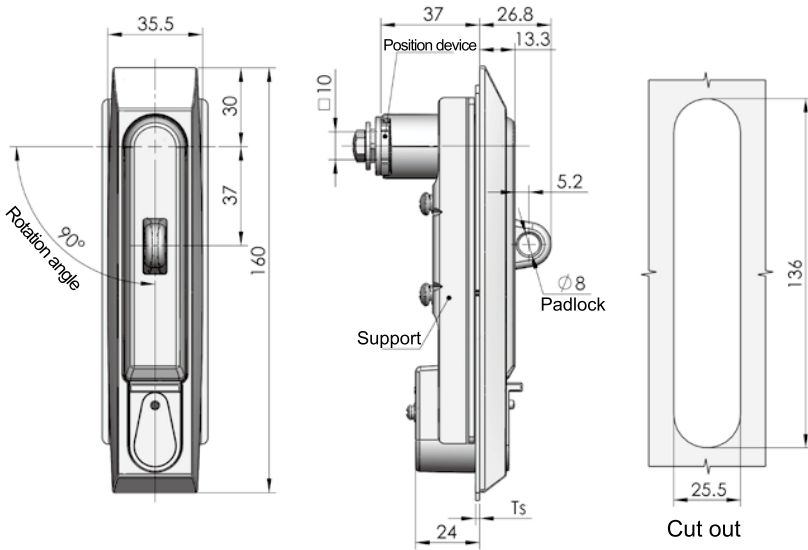


Optional profile insert TC06-1



Remark: Change the fitting position or angle of position device and cam to suit LH or RH application

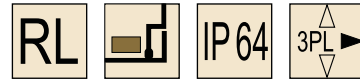
ERP MS818Z2B000002
 Remark: Default cam S3C7200



	MS834-5-P with padlock	MS834-5 without padlock
ERP	MS834Z1A043001	MS834Z1A043003

Remark : ERP excludes cam (optional 10*10) Optional cam S3C5000

MS834-5



Main material and finish: Black powder coated ZDC housing and handle, bright chrome-plated ZDC profile insert, stainless steel support

Application: Open the handle upward, quarter-turn opening or closing, padlockable

Remark: Default key K043

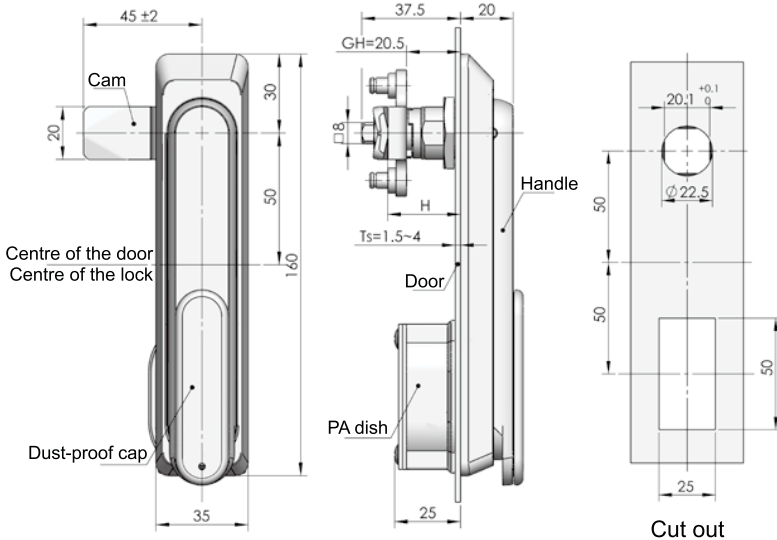
Performance parameter:

Handle load tension capability: $\phi 310N$

Handle load torque capability: $\phi 33N.m$

Tips: Tighten the lock cover is helpful to protect the insert

Max static load : 300N



Remark: Default cam S3B4510, H=20.5+10, default profile insert TC01. Cam cutout square 8mm, optional cam, three-point, two-point or one-point cam, see cam list on P007

ERP	MS874S4BE03001
-----	----------------

Remark: Default cam S3B4510

MS874



Main material and finish: Stainless steel lock-body and cam, PA dish

Application: Open the handle upward, quarter-turn opening or closing

Remark: Default profile insert TC01

Default cam: 2882451002

Performance parameter:

Handle load tension capability: $\phi 485N$

Handle load torque capability: $\phi 25N.m$

Maximum static load: 300N

- Accessories
- Electronic lock
- Handle lock
- Cylinder lock
- Plane lock
- Rod control lock
- Panel lock
- Toggle and hook
- Handles
- Door stop
- Hinge
- Seal gasket

Accessories

Electronic lock

Handle lock

Cylinder lock

Plane lock

Rod control lock

Panel lock

Toggle and hook

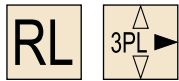
Handles

Door stop

Hinge

Seal gasket

MS839



Main material and finish: Pocked black powder coated handle and housing, bright chrome-plated profile insert, white zinc-plated steel support and cam

Application: Lead sealable, stop height is variable according to the adjusting nut on cam

Remark: Default TC01 profile insert, default key K140

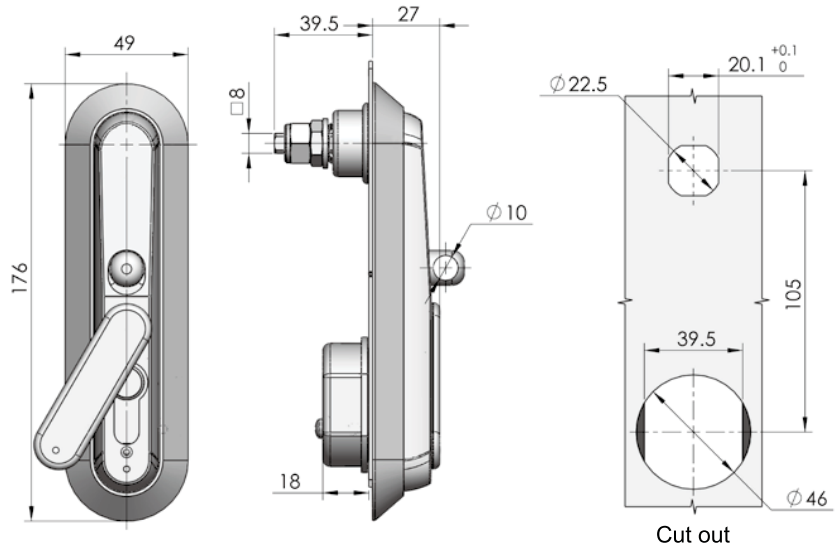
Default Cam: 2888390001

Performance parameter:

Handle load tension capability: $\phi 700N$

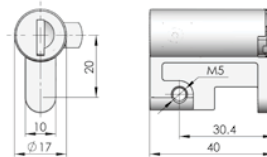
Handle load torque capability: $\phi 40N.m$

Maximum static load: 300N

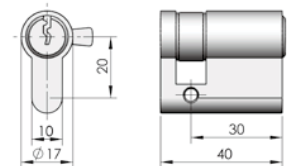


Remark: 8*8 cam series for option

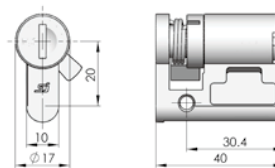
TC01(Default)



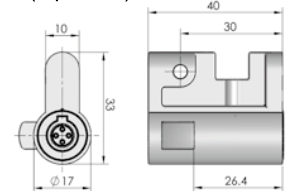
TC03-1(Optional)



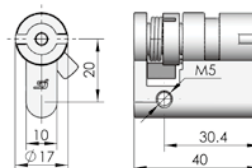
TC01-2(Optional)



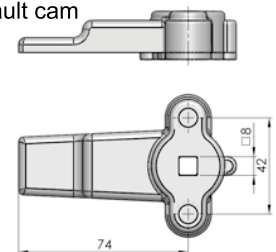
TC18(Optional)—P128



TC02-1(Optional)



Default cam



Specification	Model	ERP
ZDC handle and housing (Without padlock)	MS839-1	MS839Z1B031003
ZDC handle and housing (With padlock)	MS839-1-P	MS839Z1B140002
ZDC handle and PA housing (Without padlock)	MS839-1F	MS839N00140008
ZDC handle and PA housing (With padlock)	MS839-1F-P	MS839N00140002

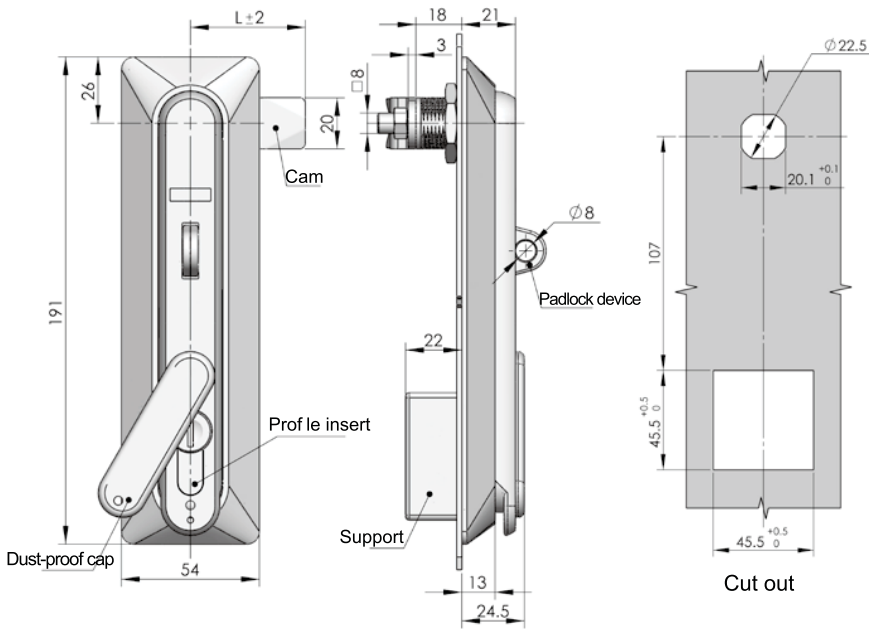
Remark: Default cam S3B7400

MS839-5



Main material and finish: PA housing, black powder coated ZDC handle, white zinc-plated steel cam
 Application: 360 degree handle rotation, padlockable, profile insert adjustable
 Remark: Default profile insert TC01, default key K140

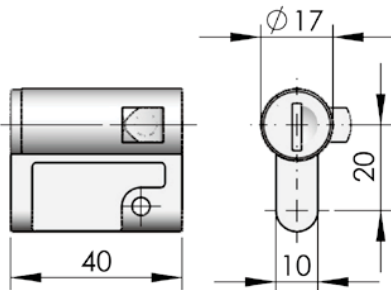
Performance parameter:
 Handle load tension capability: $\phi 630N$
 Handle load torque capability: $\phi 38N.m$
 Maximum static load: 300N



	MS839-5-1 Without padlock	MS839-5-1P With padlock
ERP	MS839N00140007	MS839N00140010

Remark: The default cam is S3B4507 (Option 8*8cam)

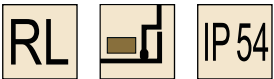
TC01 (Default)



- Accessories
- Electronic lock
- Handle lock
- Cylinder lock
- Plane lock
- Rod control lock
- Panel lock
- Toggle and hook
- Handles
- Door stop
- Hinge
- Seal gasket

- Accessories
- Electronic lock
- Handle lock
- Cylinder lock
- Plane lock**
- Rod control lock
- Panel lock
- Toggle and hook
- Handles
- Door stop
- Hinge
- Seal gasket

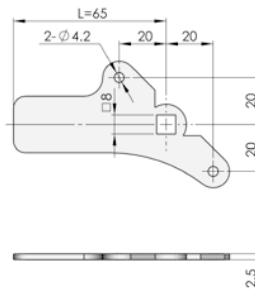
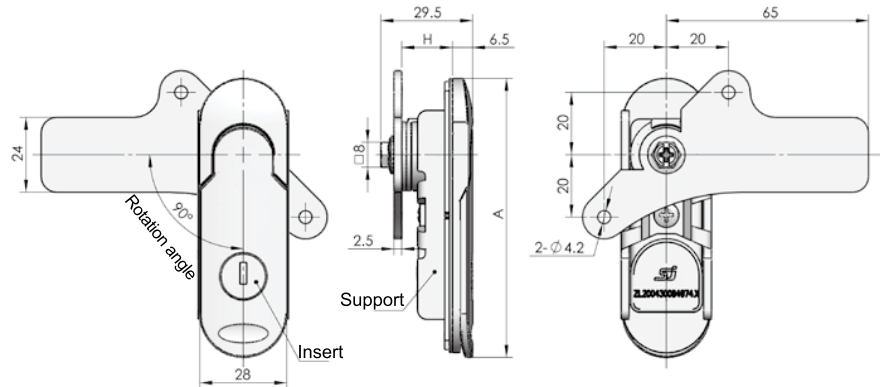
MS843



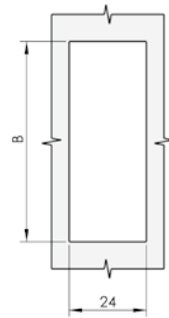
Main material and finish: Nanometer painted ZDC handle and housing, white zinc-plated steel support and cam
 Application: Open the handle upward, with cam 90° rotation opening
 Remark: Default key K080

Default cam: S3B65Y00002

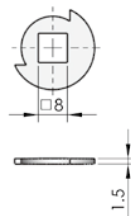
Performance parameter:
 Handle load tension capability: $\phi 180N$
 Handle load torque capability: $\phi 14N.m$
 Maximum static load: 190N



Default cam S3B6500

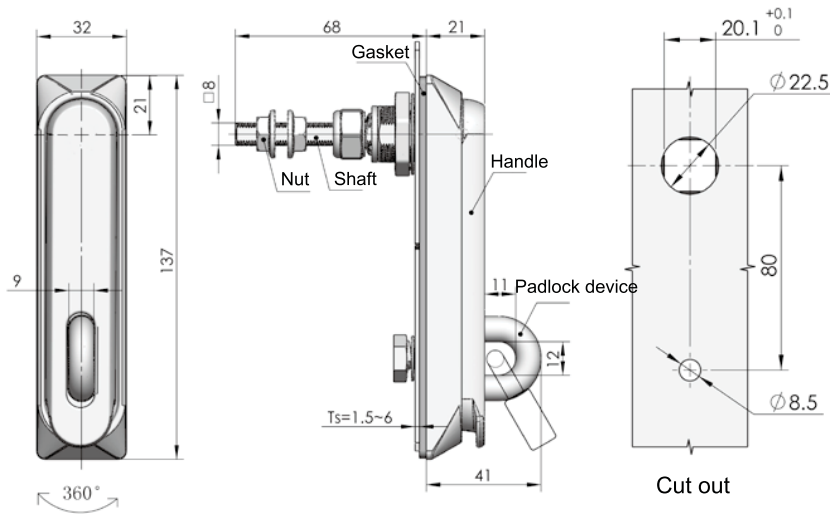


Cut out

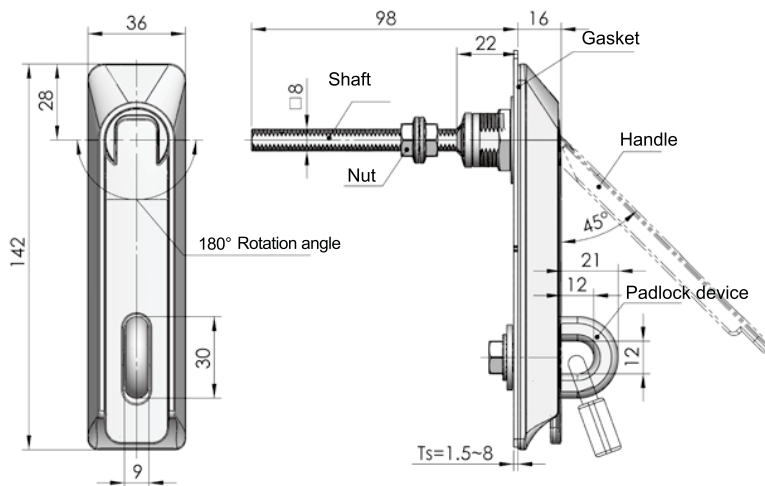


Remark: Change the fitting position of the position device and cam to adjust the stop height, change the fitting direction to suit RH or LH application

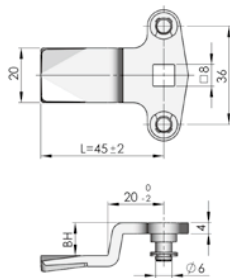
Specification	With insert		Without insert	
	Model	ERP	Model	ERP
A=89 B=63	MS843-1	MS843Z2B080013	MS843-1A	MS843Z2B000011
A=107 B=80	MS843-2	MS843Z2B080016	MS843-2A	MS843Z2B000012
A=123 B=96	MS843-3	MS843Z2B080020	MS843-3A	MS843Z2B000005



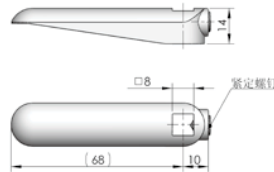
MS860-1



MS860-2



Default cam S3B4500



Optional cam S1B6800X

Model	ERP	Material & Finish
MS860-1	MS860S4B000001	Stainless steel(Brushed polish)
MS860-2	MS860Z3G000001	Yellow nickel plated zinc alloy

MS860



Structure: The H dimension can be adjusted by nut, padlock available

Default cam: 2882450007(Stainless steel)
2882450002(White zinc plated steel)

Performance parameter:

Handle load tension capability: $\phi 280N$
Handle load torque capability: $\phi 42N.m$
Maximum static load: 300N

Accessories

Electronic lock

Handle lock

Cylinder lock

Plane lock

Rod control lock

Panel lock

Toggle and hook

Handles

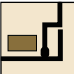
Door stop

Hinge

Seal gasket

MS861




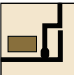
RL  **IP54**

Main material and finish: Pocked black power coated ZDC housing and handle, white zinc-plated steel cam, stainless steel shaft
 Application: Open the handle upward quarter-turn opening, adding electronic shielding part to have function of shielding
 Remark: Default key K140
 Default cam: S3C44Y13005(Right)
 S3C44Y13002(Left)

Performance parameter:
 Handle load tension capability: $\phi 570N$
 Handle load torque capability: $\phi 14N.m$
 Maximum static load: 300N

MS861-2

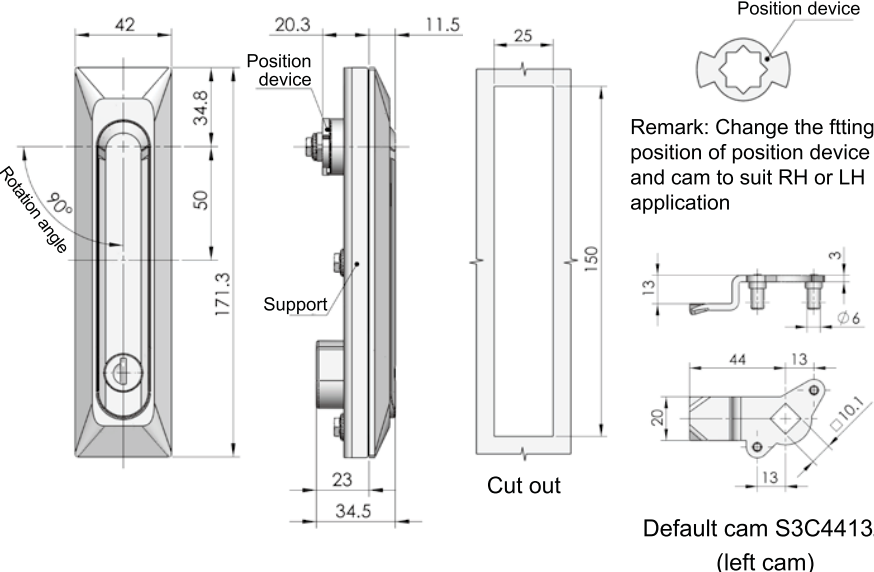


RL  **IP54**

Main material and finish: ZDC housing, handle and shaft, white zinc-plated steel cam
 Application: Open the handle upward, quarter-turn rotation opening
 Remark: Default K140 key

Default cam: 2882451002

Performance parameter:
 Handle load tension capability: $\phi 390N$
 Handle load torque capability: $\phi 12N.m$
 Maximum static load: 300N



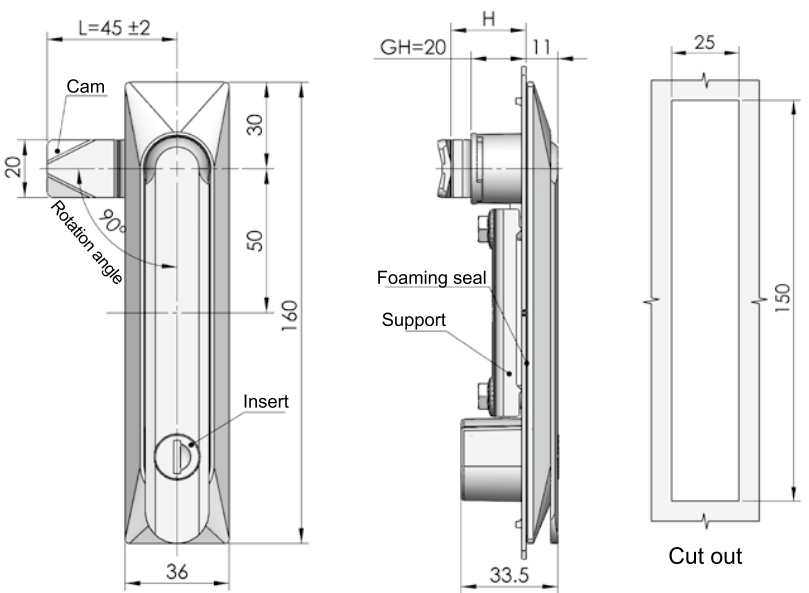
Position device

Remark: Change the fitting position of position device and cam to suit RH or LH application

Default cam S3C4413Z (left cam)

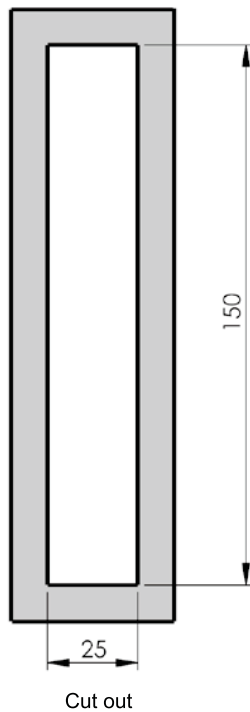
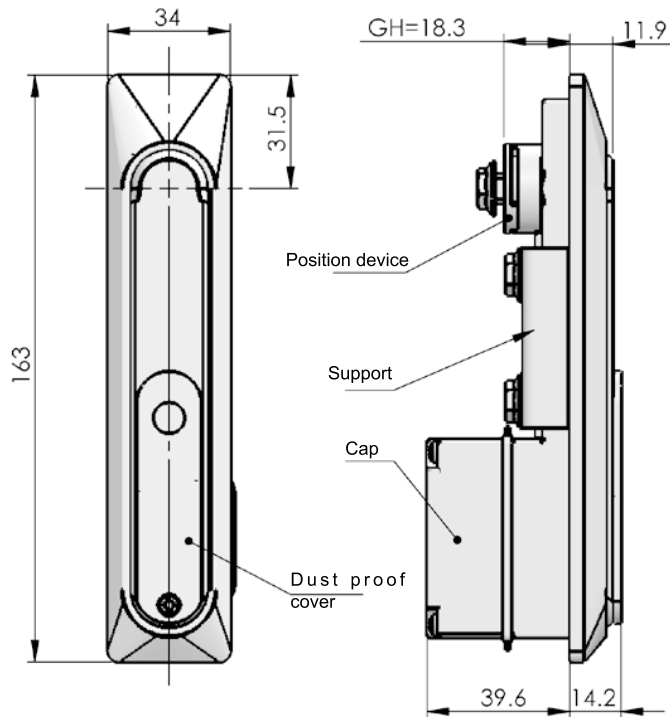
ERP	MS861Z1B140021
-----	----------------

Remark: Default cam S3C4413Z (cut size 10*10)

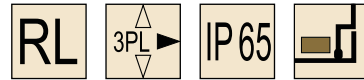


ERP	Pocked black powder coated housing and handle	Nanometer painted housing and handle
ERP	MS861Z1B140017	MS861Z2B140003

Remark: Default cam S3B4510 (cut size 8*8)



MS861-2G



Main material and finish: ZDC housing , handle and shaft, steel support;
Application: Open the handle upward quarter-turn opening, position device direction to suit RH or LH application;
Remark: Default TC01 profile cylinder, K140 key. cam is optional, can be used for MS861-2

Performance parameter:

Handle load tension capability: $\phi 390N$
Handle load torque capability: $\phi 12N.m$
Maximum static load: 300N

ERP

MS861ZXX140001

Accessories

Electronic lock

Handle lock

Cylinder lock

Plane lock

Rod control lock

Panel lock

Toggle and hook

Handles

Door stop

Hinge

Seal gasket

- Accessories
- Electronic lock
- Handle lock
- Cylinder lock
- Plane lock**
- Rod control lock
- Panel lock
- Toggle and hook
- Handles
- Door stop
- Hinge
- Seal gasket

MS861-2H

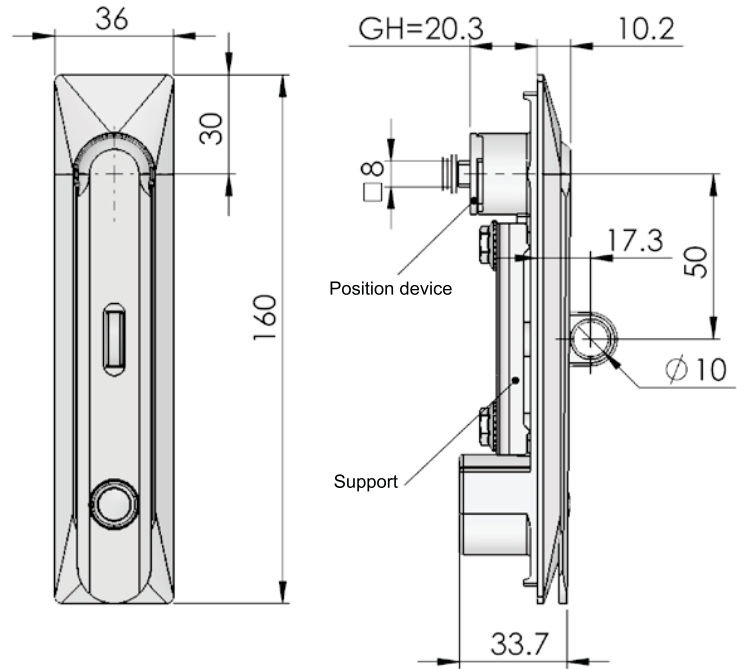


NEW



Main material and finish: ZDC housing , handle and shaft;
 Application: Open the handle upward quarter-turn opening,
 Remark: SUS304 screw,cam can be S1B series or S3B series

Performance parameter:
 Handle load tension capability: $\phi 390N$
 Handle load torque capability: $\phi 12N.m$
 Maximum static load: 300N

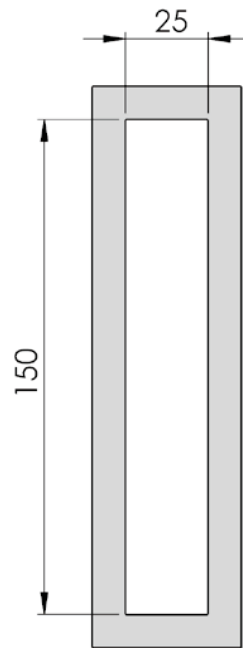


MS861-2H Brass padlock

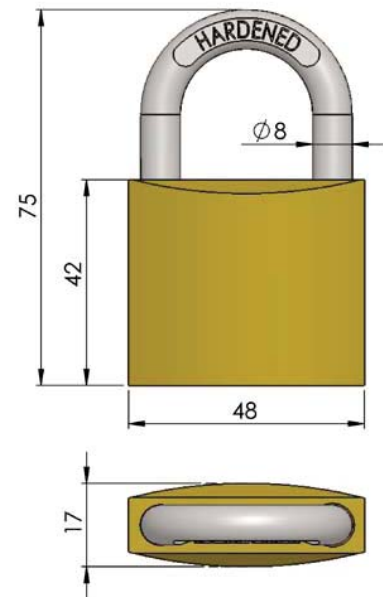


NEW

Main material and surface: Spraying essential oil after polishing on HPB59-1 lock shell,chrome plated steel lock hook;
 Remark: S-shape profile cylinder, default key K72-3, Key alike only, with padlock.

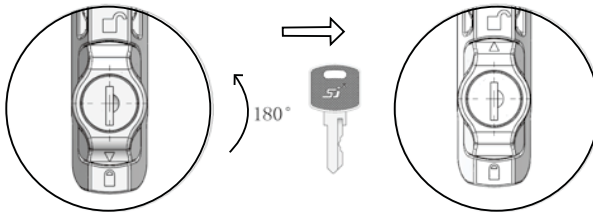
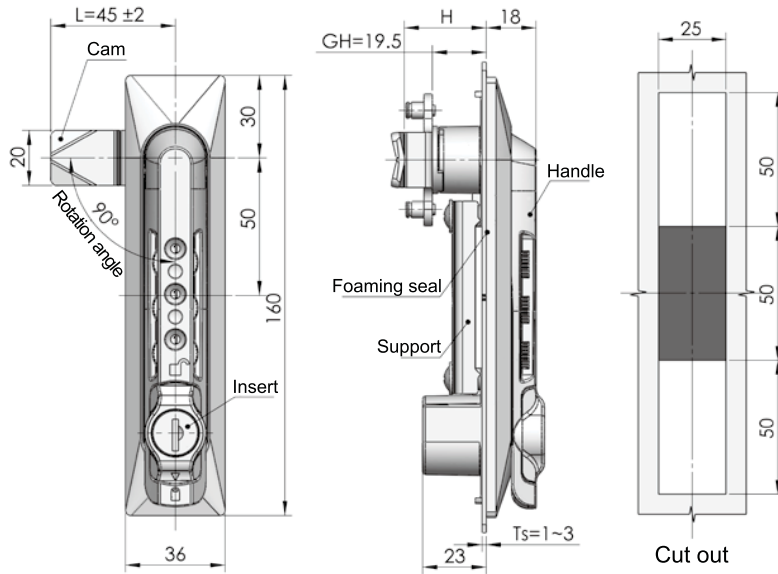


Cut out

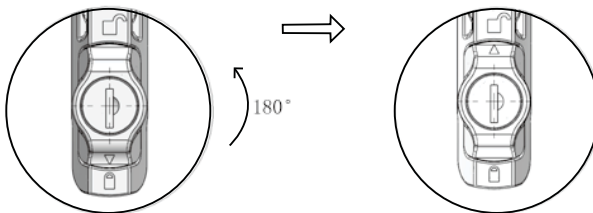


ERP	Description
1118610001	with key
1118610002	without key

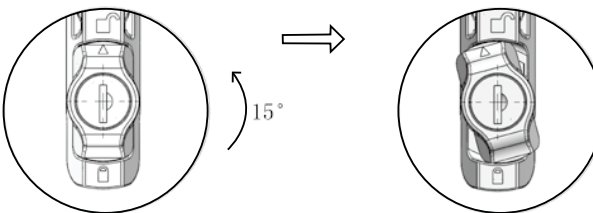
ERP MS861ZXX000001



Use key to open the lock, without password



Enter password to open the lock, open lock with password instead of key, original password: "0,0,0"



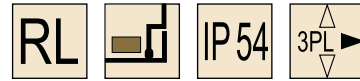
Change the password (when it is correct), when knob indicates opening position, anti-clockwise rotation 15 degree to change the password

ERP

MS861N00140001

Remark: Default cam S3B4510 (Optional cam 8*8)

MS861-2A



Main material and finish: Black PA housing, handle and knob, white zinc-plated steel cam and support

Application: Refer to instruction along with product

Remark: Default key K140

Default cam: 2882451017

Performance parameter:

Handle load tension capability: $\phi 60N$

Handle load torque capability: $\phi 5N.m$

Maximum static load: 300N

Accessories

Electronic lock

Handle lock

Cylinder lock

Plane lock

Rod control lock

Panel lock

Toggle and hook

Handles

Door stop

Hinge

Seal gasket

- Accessories
- Electronic lock
- Handle lock
- Cylinder lock
- Plane lock**
- Rod control lock
- Panel lock
- Toggle and hook
- Handles
- Door stop
- Hinge
- Seal gasket

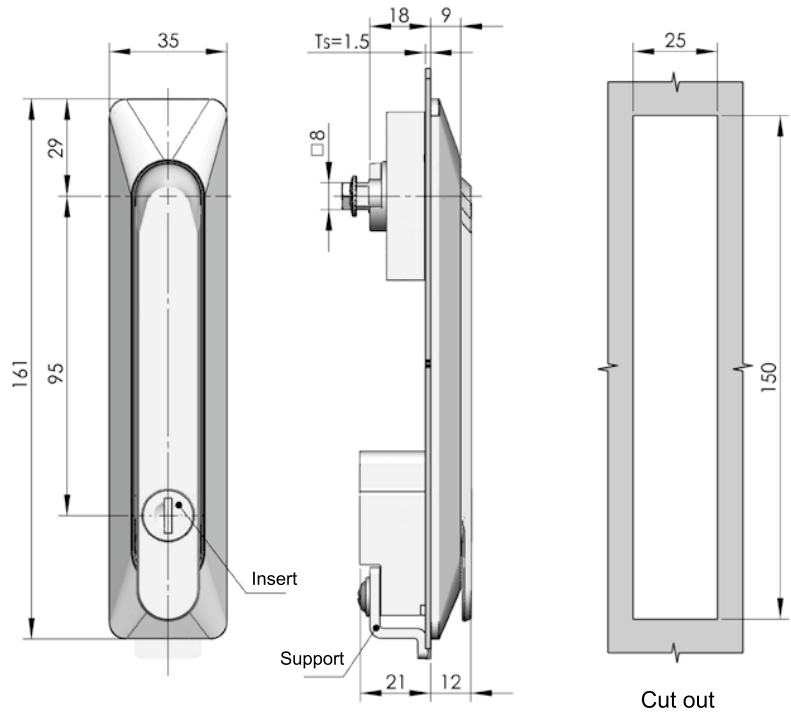
MS861-3



Main material and finish: PA handle, housing, drive box
 Application: Quarter-turn opening and close, position device direction to suit RH or LH application;
 Remark: Default key K193

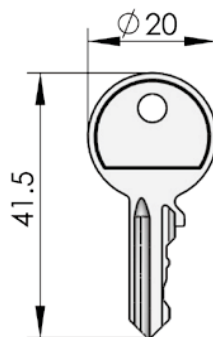
Default cam: S1B45Y00002

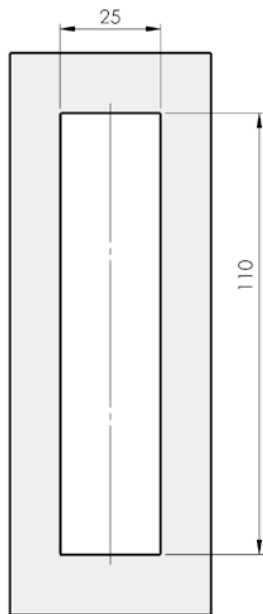
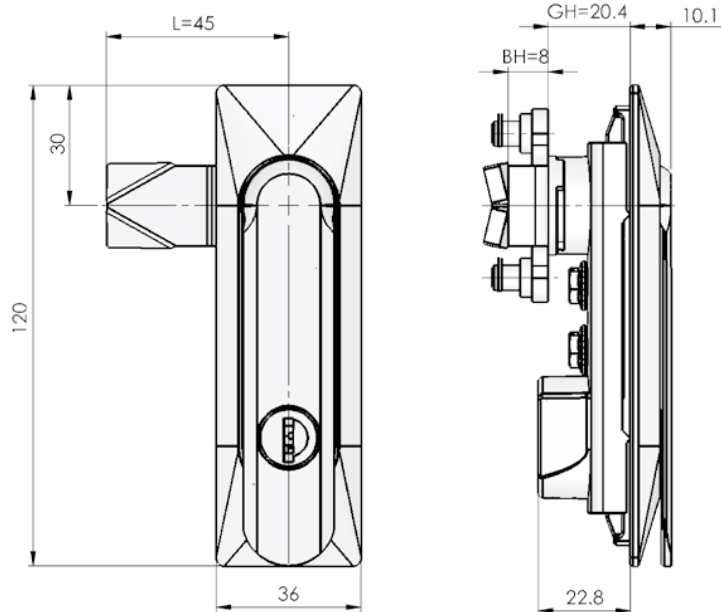
Performance parameter:
 Handle load tension capability: $\phi 115N$
 Handle load torque capability: $\phi 10N.m$
 Maximum static load: 220N



ERP MS861N00193004
 Remark: default cam S1B4500 (optional cam 8*8)

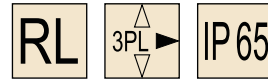
Default key





Cut out

MS861-4



Main material and finish: Black painting or silvery nanometer painting ZDC handle, housing, zinc plated steel cam and support;

Application: Quarter-turn opening and close, RH or LH application;

Remark: Default key K140

Default cam: S1B45Y00002

Performance parameter :

Handle tension capability: $\phi 350N$

Handle torque capability: $\phi 25N.m$

Life test: 5000 times open and close, the function is good

Accessories

Electronic lock

Handle lock

Cylinder lock

Plane lock

Rod control lock

Panel lock

Toggle and hook

Handles

Door stop

Hinge

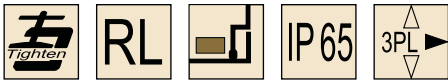
Seal gasket

ERP

MS861Z1B140062

- Accessories
- Electronic lock
- Handle lock
- Cylinder lock
- Plane lock**
- Rod control lock
- Panel lock
- Toggle and hook
- Handles
- Door stop
- Hinge
- Seal gasket

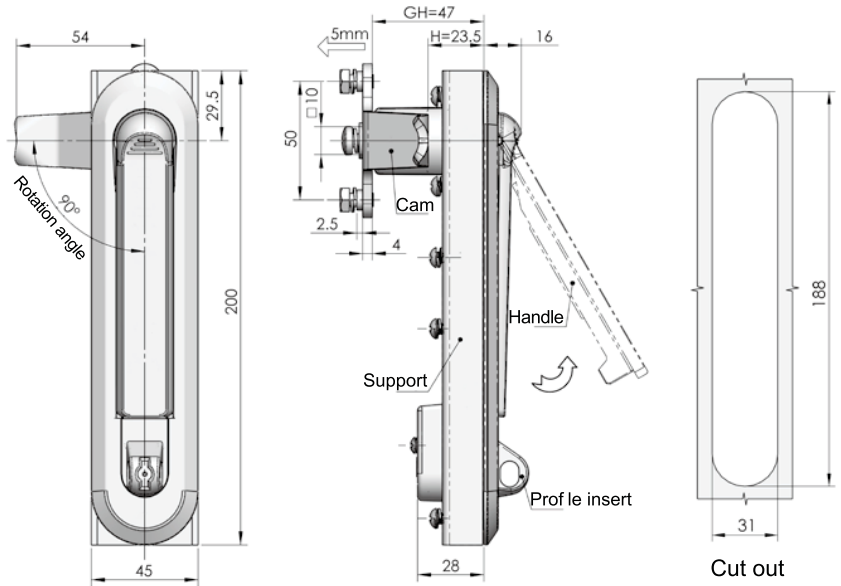
MS864-3



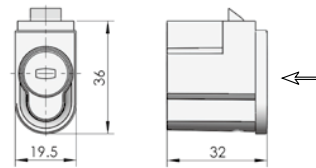
Main material and finish: Black powder coated ZDC housing and handle, stainless steel shaft, white zinc-plated steel cam
 Application: Open the handle upward, quarter-turn rotation opening, with function of locking, padlockable
 Remark: Default profile insert TC06-1

Default cam: 2888643001

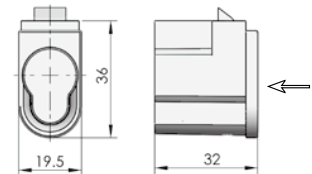
Performance parameter:
 Handle load tension capability: $\phi 485N$
 Handle load torque capability: $\phi 25N.m$
 Maximum static load: 600N



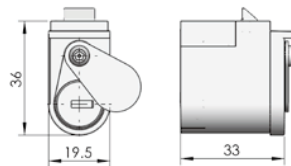
TC04-1(Optional)



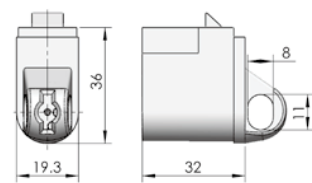
TC04-2(Optional)



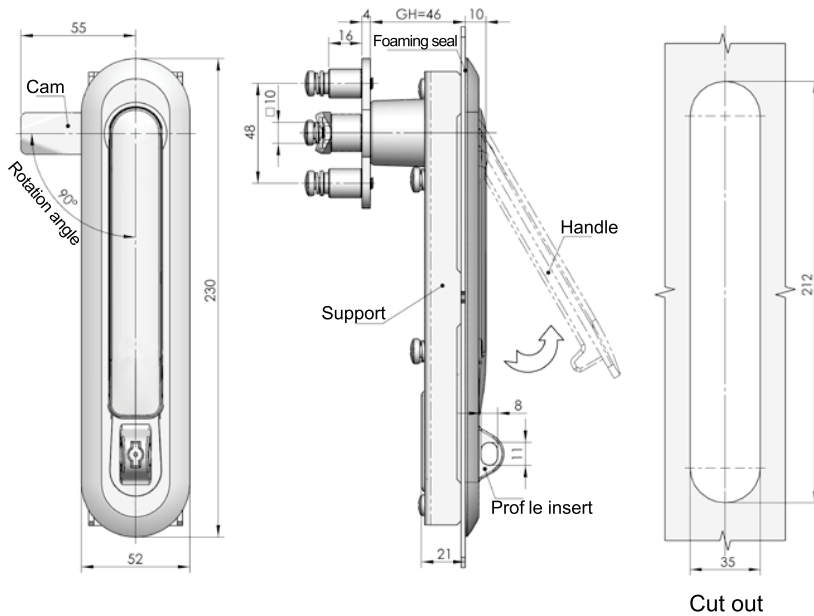
TC05-1(Optional)



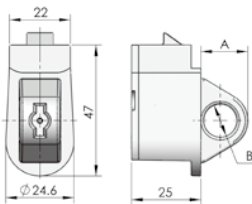
TC06-1(Default)



ERP MS864Z1A290027
 Remark: Default cam S3C5424



TC06-2(Optional)



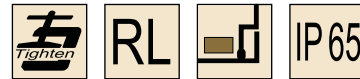
Profile insert	A	B
TC06-2	17	∅12
TC06-3	26.5	∅14
Default TC06-4	12	∅8x11

ERP

MS864Z1A290015

Remark: Default cam S1C5500

MS864-3A



Main material and finish: Black powder coated ZDC housing and handle, stainless steel shaft, white zinc-plated steel cam
 Application: Open the handle upward, quarter-turn opening, with function of locking, padlockable
 Remark: Default profile insert TC06-4

Default cam: S1C55Y00001

Performance parameter:
 Handle load tension capability: $\varnothing 550N$
 Handle load torque capability: $\varnothing 45N.m$
 Maximum static load: 600N

Accessories

Electronic lock

Handle lock

Cylinder lock

Plane lock

Rod control lock

Panel lock

Toggle and hook

Handles

Door stop

Hinge

Seal gasket

- Accessories
- Electronic lock
- Handle lock
- Cylinder lock
- Plane lock**
- Rod control lock
- Panel lock
- Toggle and hook
- Handles
- Door stop
- Hinge
- Seal gasket

MS864-4



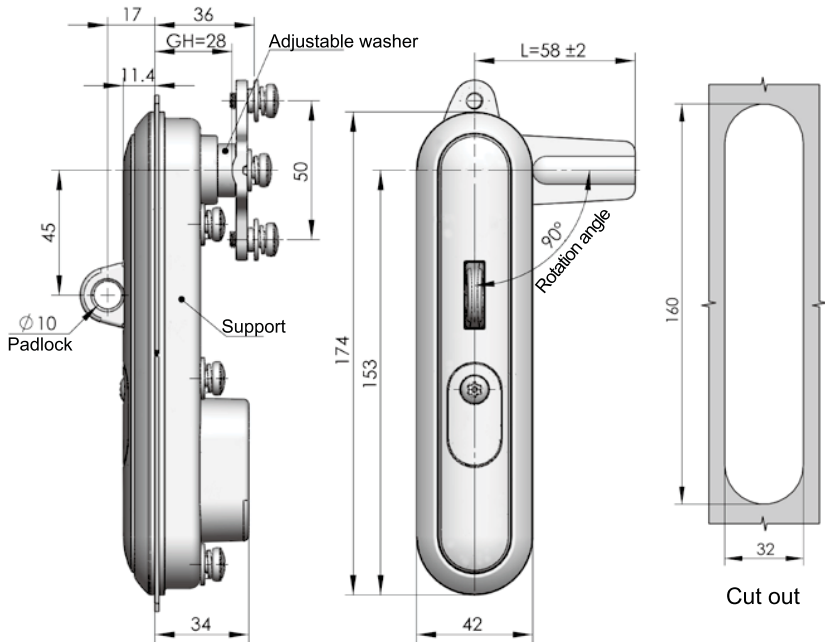
RL IP64

Main material and finish: Black painted ZDC housing and handle (high salt mist resistance)

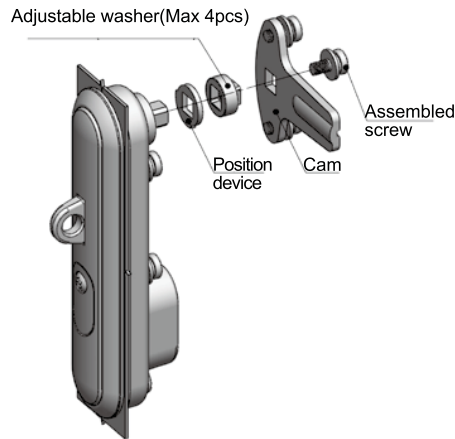
Application: Quarter-turn opening or closing, position device direction to suit RH or LH application, padlockable
 Remark: Default profile insert TC03-5

Default cam: 2888648002

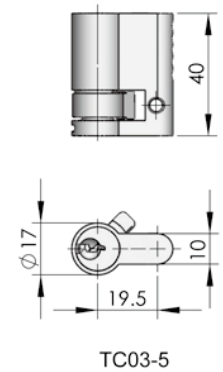
Performance parameter:
 Handle tension capability: $\phi 2500N$
 Handle torque capability: $\phi 21N.m$
 Remark: The tighten cap is good for protecting the cylinder
 Maximum static load : 600N



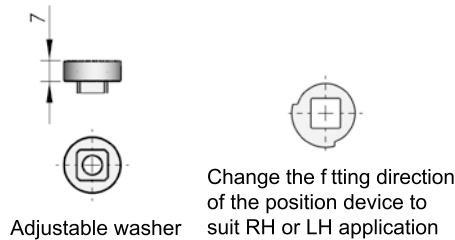
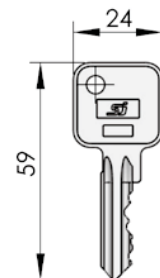
Exploded sketch



Default profile insert

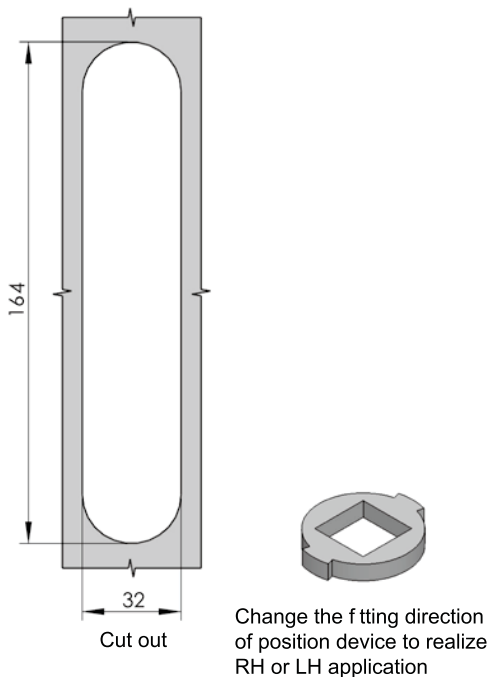
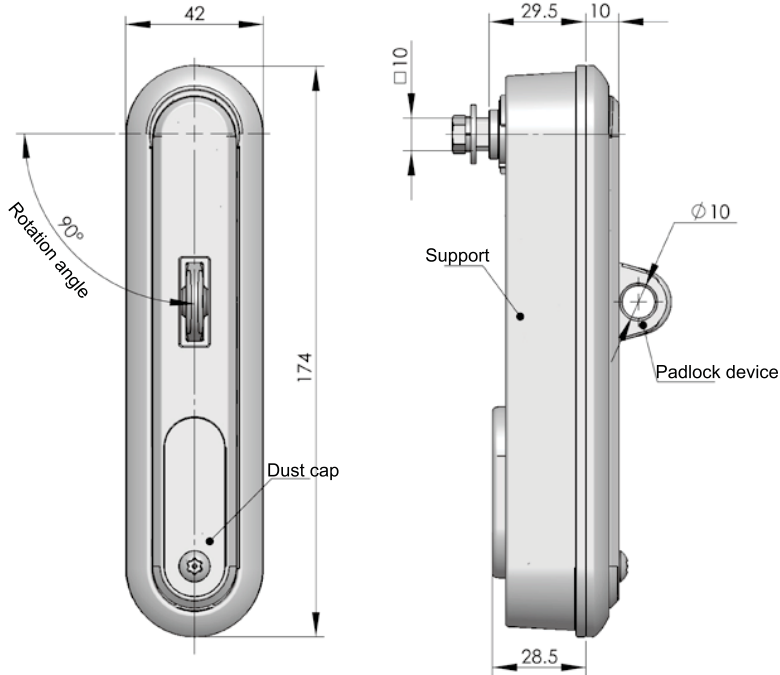


Default key

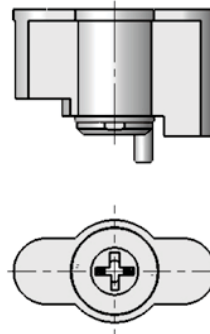


	MS864-4-3D with padlock	MS864-4-3D-P without padlock
ERP	MS864Z2E142001	MS864Z2EE03003

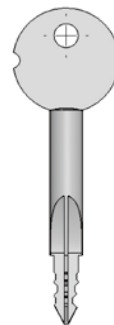
Remark: Default key S3C58Y00 (Optional 10*10 cam)



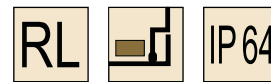
Default profile



Default Key



MS892-1A



Main material and finish: Matt black powder coated ZDC housing and handle
 Application: 90° rotation to open or close, position device direction to suit RH or LH application, padlockable

Performance parameter:
 Handle tension capability: $\phi 690N$
 Handle torque capability: $\phi 45N.m$
 Remark: The tighten cap is good for protecting the cylinder
 Maximum static load : 600N

Accessories

Electronic lock

Handle lock

Cylinder lock

Plane lock

Rod control lock

Panel lock

Toggle and hook

Handles

Door stop

Hinge

Seal gasket

ERP

MS892Z1AE02001

Remark: ERP excludes Cam (Optional cam 10*10)