



ETERNA  
SOLUTIONS

ELECTRONIC LOCKS



WWW.ITISETERNA.COM

# ELECTRONIC LOCK SERIES

## Active electronic lock series



Cylinder lock

## Passive electronic lock series(New product)



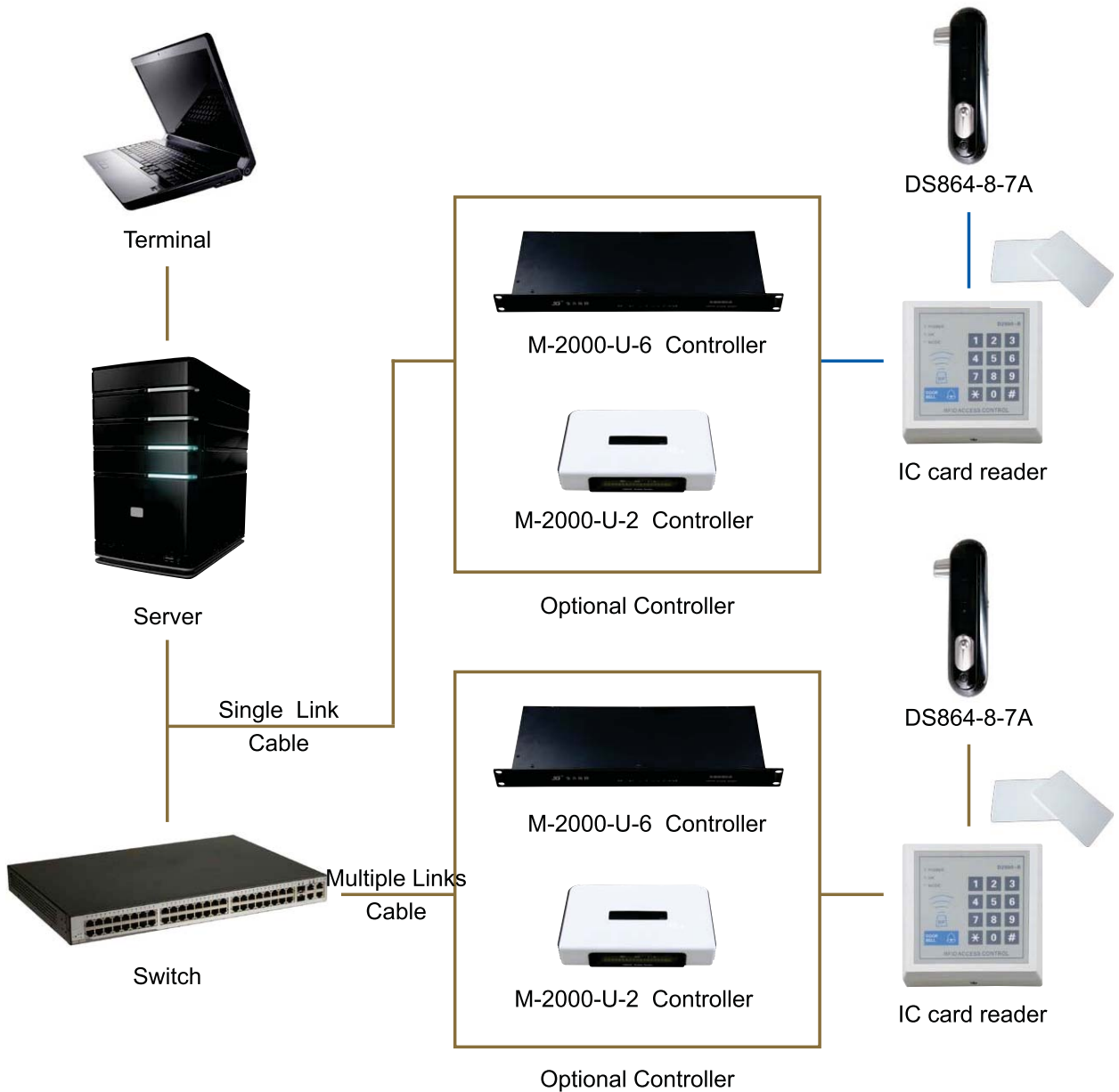
These locks above can be chosen to use electronic lock cylinder, the installation hole size refer to the mechanical lock, please consult the technical department before ordering.

# DS864-8-7A Control System Principle

## Single Control Mode



## Network Control Mode



Accessories

Electronic lock

Handle lock

Cylinder lock

Plane lock

Rod control lock

Panel lock

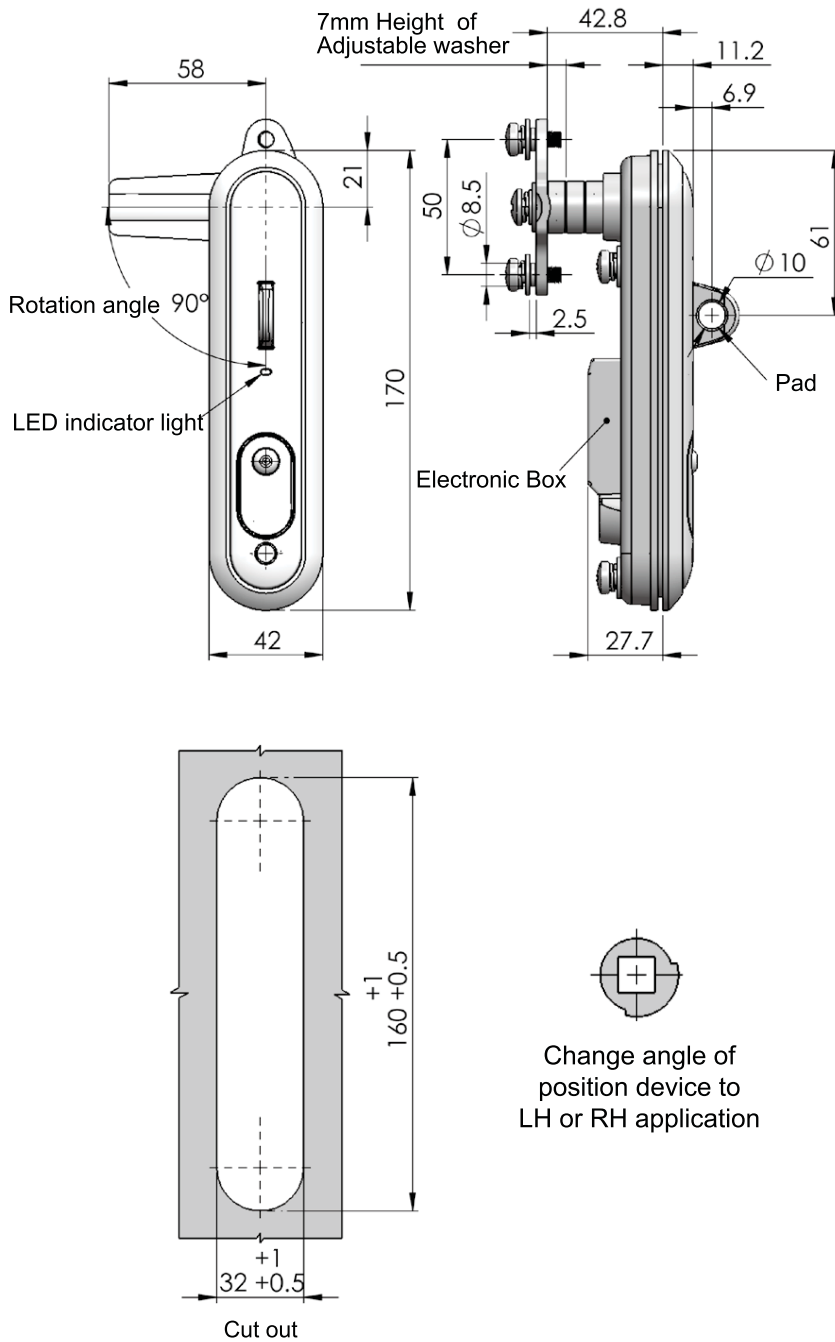
Toggle and hook

Handles

Door stop

Hinge

Seal gasket



DS864-8-7A



RL IP65 RoHS

Main material and finish : Black painted ( high salt mist resistant ) ZDC housing, handle, stainless steel cam. Plastic electronic box/plastic box.

Application : Active electronic lock.

Rated voltage: DC 12V

Rated current:  $\phi$ 0.3A

Consumption Power:  $\phi$  3.6W

Remark: Optional mechanical insert and electronic insert

This product is used for indoor.

Please read operating introduction in advance and operate according to introduction.

Performance Parameter

Handle load tension capability:  $\phi$ 600N

Handle load torque capability:  $\phi$ 30N.m

Working Environment

Temperature: -40 ~ +65

Humidity: 5 ~ 90%

Altitude: -60m~4000m

ERP	Specification
DS864Z2E723004	Mechanical insert, switch control, without padlock
DS864Z2E723005	Mechanical insert, switch control, with padlock
DS864Z2E723006	Mechanical insert, DO control, without padlock
DS864Z2EE06001	Electronic insert, DO control, without padlock

Remark: Default cam is S3C5800

Accessories

Electronic lock

Handle lock

Cylinder lock

Plane lock

Rod control lock

Panel lock

Toggle and hook

Handles

Door stop

Hinge

Seal gasket



# DS899 Control System Principle

## Single Control Mode



12V Power Adapter

External 12V Power  
Power Line



DS899, Swiping to open



Card sender

## Network Control Mode



Terminal



Card sender



Swiping to open



Server



M-2000-U-6 Controller

M-2000-U-2 Controller

Optional Controller



DS899



Switch

Single Link  
Cable

Multiple Links  
Cable



M-2000-U-6 Controller

M-2000-U-2 Controller

Optional Controller



Swiping to open



DS899

Accessories

Electronic lock

Handle lock

Cylinder lock

Plane lock

Rod control lock

Panel lock

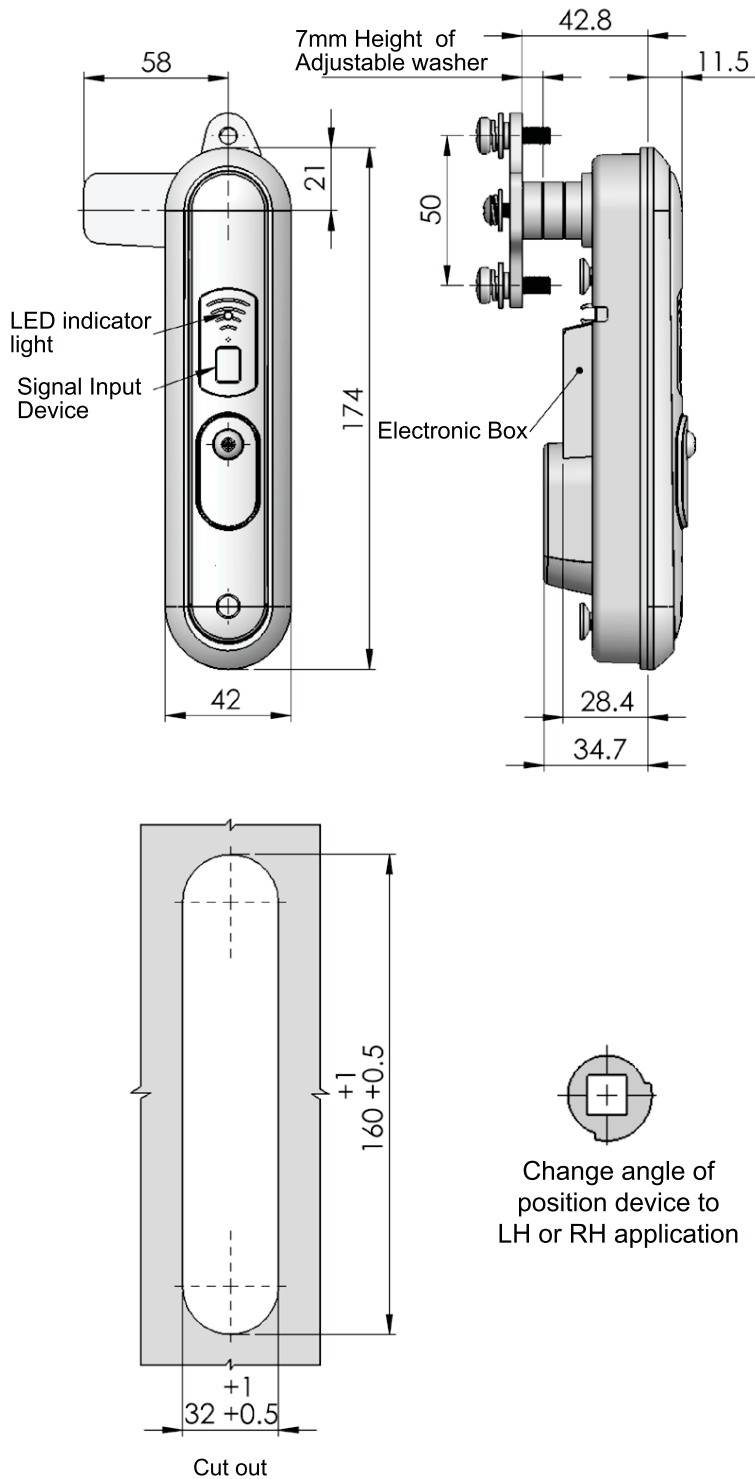
Toggle and hook

Handles

Door stop

Hinge

Seal gasket



DS899



**RL IP65 RoHS**

Main material and finish : Black painted ( high salt mist resistant ) ZDC housing, handle, stainless steel cam. Plastic electronic box/plastic box.

Application : Active electronic lock.

Rated voltage: DC 12V

Rated current:  $\phi 0.25A$

Consumption Power:  $\phi 3.6W$

Remark : Default head face pin tumbler insert.

This product is used for indoor.

Please read operating introduction in advance and operate according to introduction.

Performance Parameter

Handle load tension capability:  $\phi 600N$

Handle load torque capability:  $\phi 30N.m$

Working Environment

Temperature: -40 ~ +65

Humidity: 5 ~ 90%

Altitude: -60m~4000m

ERP

DS899Z2EE03001

Remark: Default cam is S3C5800

Accessories

Electronic lock

Handle lock

Cylinder lock

Plane lock

Rod control lock

Panel lock

Toggle and hook

Handles

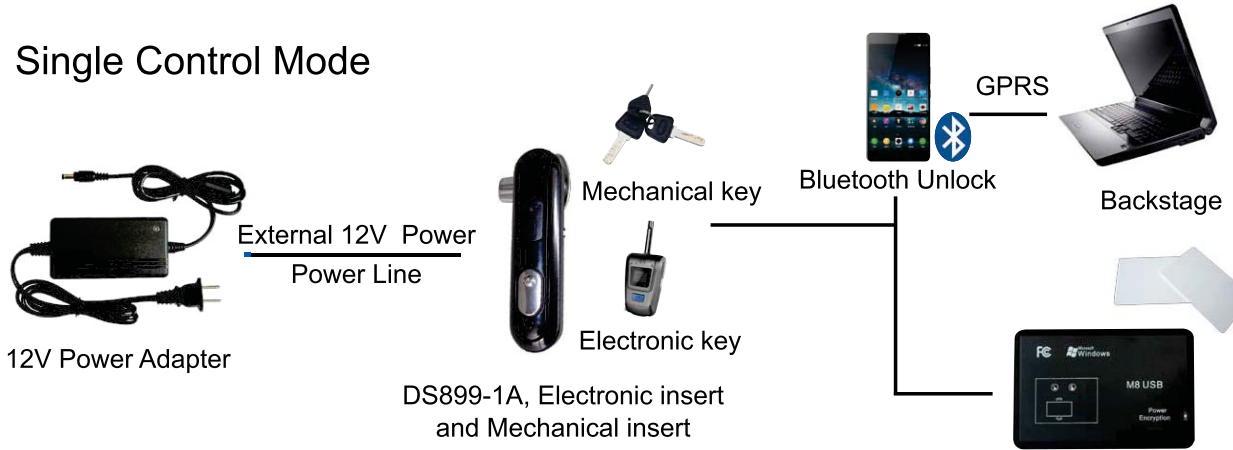
Door stop

Hinge

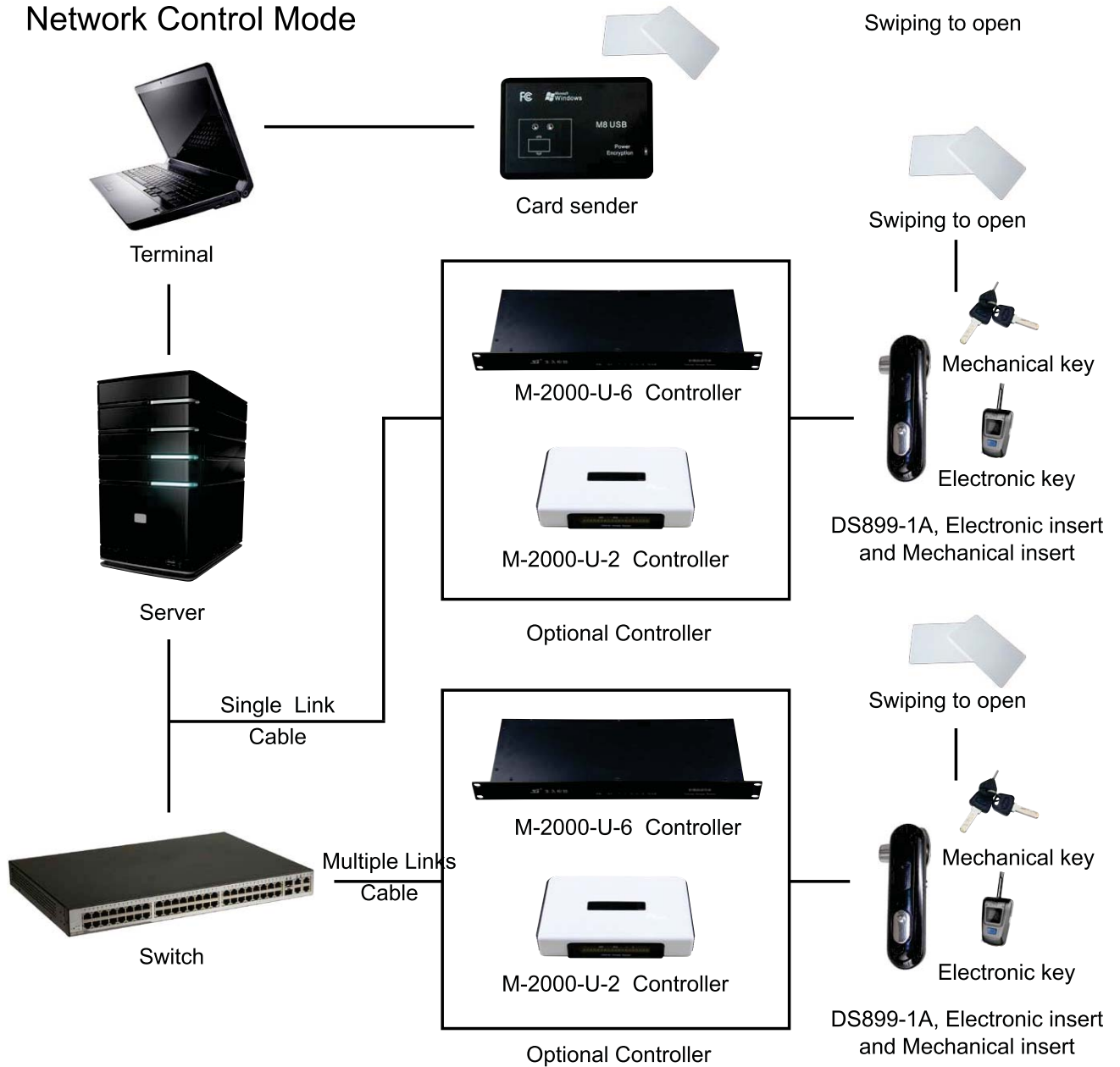
Seal gasket

# DS899-1A Control System Principle

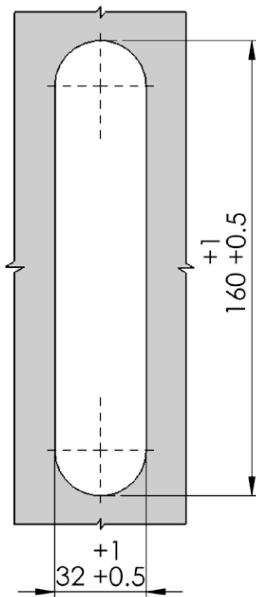
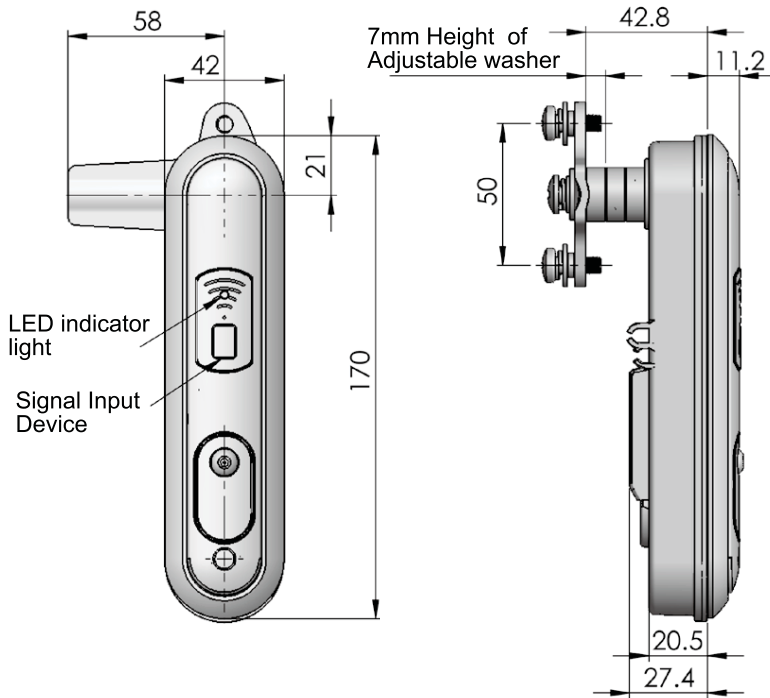
## Single Control Mode



## Network Control Mode



- Accessories
- Electronic lock
- Handle lock
- Cylinder lock
- Plane lock
- Rod control lock
- Panel lock
- Toggle and hook
- Handles
- Door stop
- Hinge
- Seal gasket



Cut out



Change angle of position device to LH or RH application

DS899-1A



RL IP65 RoHS

Main material and finish : Black painted ( high salt mist resistant ) ZDC housing, handle, stainless steel cam. Plastic electronic box/plastic box.

Application : Active electronic lock.

Rated voltage: DC 12V

Rated current:  $\phi$ 0.25A

Consumption Power:  $\phi$  3.6W

Remark : Default head face pin tumbler insert.

This product is used for indoor. Please read operating introduction in advance and operate according to introduction.

Performance Parameter

Handle load tension capability:  $\phi$ 600N

Handle load torque capability:  $\phi$ 30N.m

Working Environment

Temperature: -40 ~ +65

Humidity: 5 ~ 90%

Altitude: -60m~4000m

ERP	Specification
DS899Z2E723001	Swiping Card Control
DS899Z2E723002	Bluetooth Control
DS899Z2EE06001	Swiping Card Control + Electronic cylinder Control

Remark: Default cam is S3C5800

Accessories

Electronic lock

Handle lock

Cylinder lock

Plane lock

Rod control lock

Panel lock

Toggle and hook

Handles

Door stop

Hinge

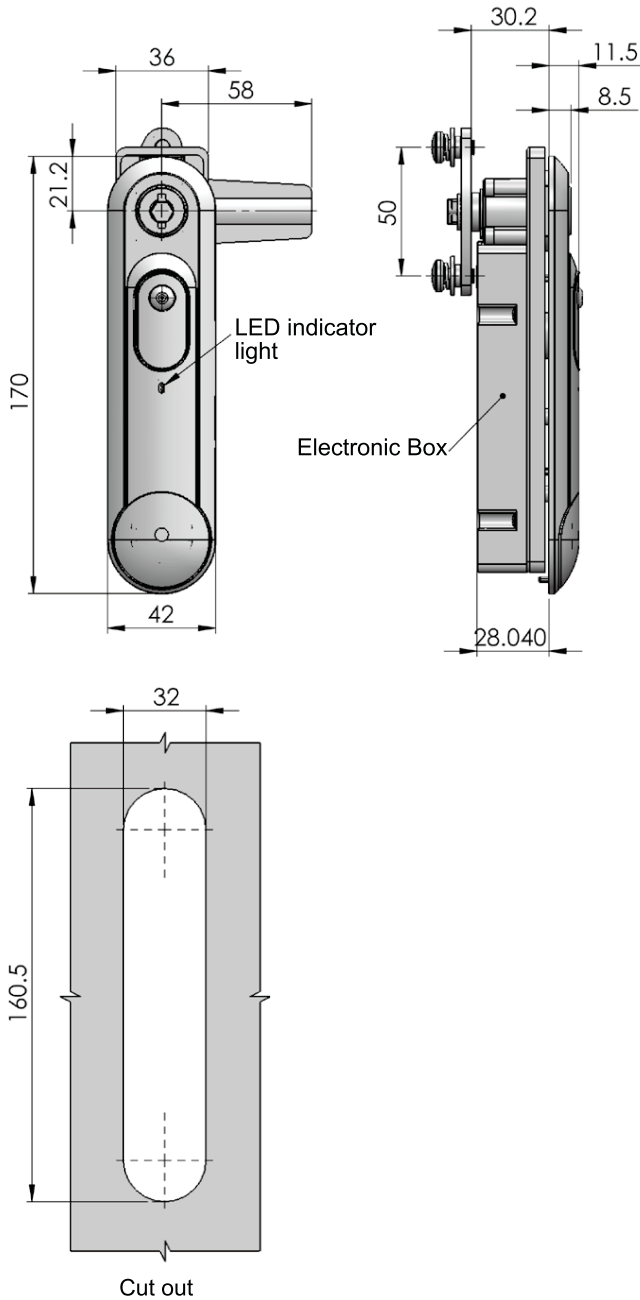
Seal gasket



# DS912 DS913 Control System Principle



- Accessories
- Electronic lock**
- Handle lock
- Cylinder lock
- Plane lock
- Rod control lock
- Panel lock
- Toggle and hook
- Handles
- Door stop
- Hinge
- Seal gasket



DS912



RL IP65 RoHS

Handling: High salt spray resistance  
 Application : Active electronic lock (idle)  
 Rated voltage: DC 12V  
 Rated current: Unlock condition  $\phi$ 0.25A  
 Standby mode  $\phi$ 0.05A  
 Remark : This product is suitable used for outdoor.  
 Read the operating instructions carefully before usage and operate according to the instructions.

**Working Environment**

Temperature: -40 ~ +65  
 Humidity: 5 ~ 90%  
 Altitude: -60m~4000m

ERP DS912Z2E723001

- Accessories
- Electronic lock**
- Handle lock
- Cylinder lock
- Plane lock
- Rod control lock
- Panel lock
- Toggle and hook
- Handles
- Door stop
- Hinge
- Seal gasket

Accessories

Electronic lock

Handle lock

Cylinder lock

Plane lock

Rod control lock

Panel lock

Toggle and hook

Handles

Door stop

Hinge

Seal gasket

DS913



IP 65 RoHS

Handling: Zinc alloy housing, panel, plastic electronic box.

Handling: High salt spray resistance

Application : Active electronic lock

Rated voltage: DC 12V

Rated current:  $\phi$ 0.25A

Consumption Power:  $\phi$ 3W

Remark : This product is suitable used for outdoor.

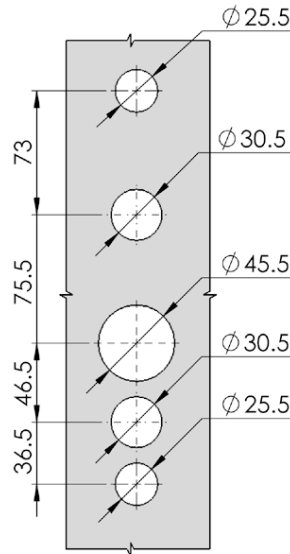
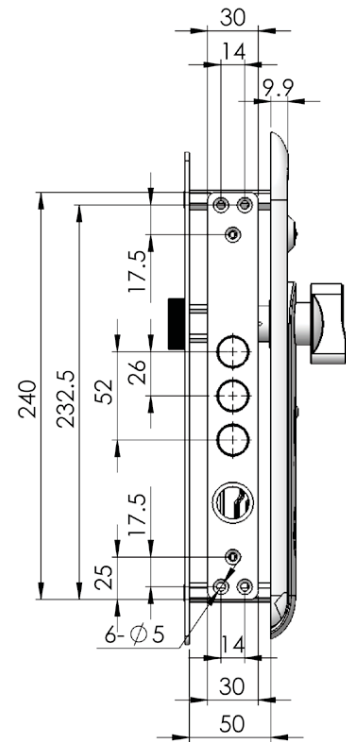
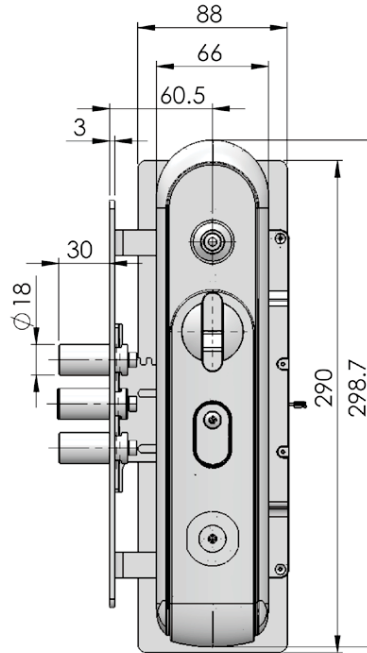
Read the operating instructions carefully before usage, operation according to the instructions.

Working Environment

Temperature: -40 ~ +65

Humidity: 5 ~ 90%

Altitude: -60m~4000m



Cut out

ERP

DS913Z2E723001

Optional functions	Optional accessories
Rotation handle	Unlock tool keys
Mechanical cylinder	Bluetooth electronic key
Electronic cylinder	10 core cable(meter)
Insert controlled	Mobile APP Software
Built-in bluetooth	PC Management Platform
RS485 Protocol communication function	

The default basic functions: remote door opening and signal sensing (no rotating handle) matching function and accessories need to be noted in the order.

Remark:Default cam S3C5800