



ETERNA
SOLUTIONS

































































CYLINDER CABINET LOCK

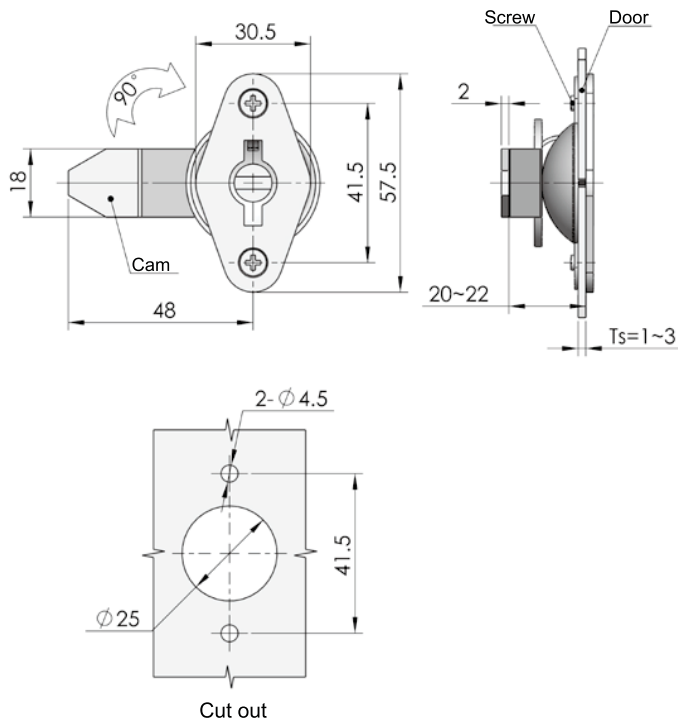


WWW.ITISETERNA.COM



CYLINDER LOCK SERIES

 MS705	 MS705-3A	 MS705-3C	 MS705-3E	 MS705-3U	 MS705-K01	 MS714-2	 MS714-3
 MS714-4	 MS715	 MS722	 MS763	 MS734	 MS761	 MS735	 MS739
 MS813	 MS704-1	 MS837	 MS844	 MS845	 MS750	 MS812	 MS801-1
 MS801-2	 MS803	 MS811-4	 MS811-5	 MS811-6	 MS816-1	 MS816-2	 MS816-3S
 MS817	 MS823	 MS816-4B	 MS822	 MS706	 MS809	 MS729	 MS733
 MS741	 MS742	 MS743	 MS744	 MS745-2	 MS748	 MS760	 MS802
 MS804	 MS806	 MS815-1	 MS815-2	 MS815-3	 MS824	 MS825	 MS826
 MS303	 MS330	 MS775	 MS735-4	 MS753	 MS754	 MS767	 MS772



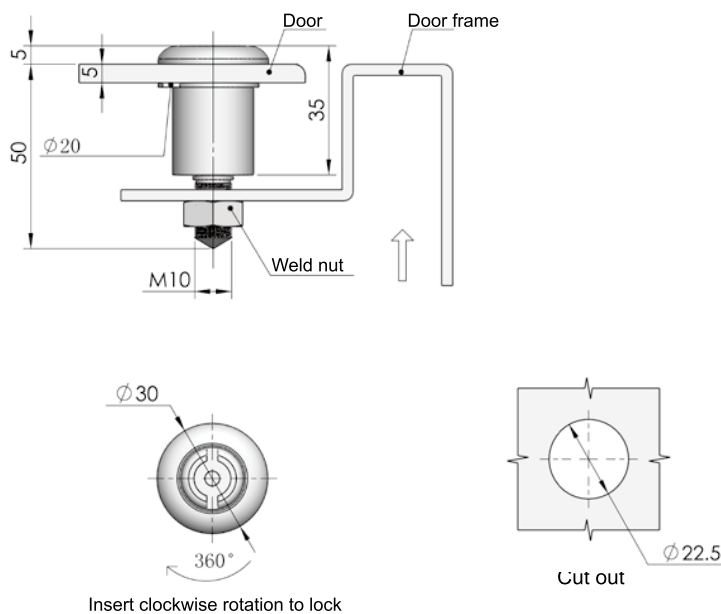
ERP MS330F3D000001

MS330



Main material and finish: White zinc-plated steel lock body, and steel cam
Application: Quarter-turn opening or closing

Performance parameter:
Maximum static load: 57N



ERP MS704F3AT02004

MS704-2



Main material and finish : Bright chrome-plated steel housing and insert
Application : 360 degree rotation opening or closing, with function of locking
Remark : Optional key K15-1

Performance parameter:
Maximum input torque: 10N.m

- Accessories
- Electronic lock
- Handle lock
- Cylinder lock**
- Plane lock
- Rod control lock
- Panel lock
- Toggle and hook
- Handles
- Door stop
- Hinge
- Seal gasket

- Accessories
- Electronic lock
- Handle lock
- Cylinder lock**
- Plane lock
- Rod control lock
- Panel lock
- Toggle and hook
- Handles
- Door stop
- Hinge
- Seal gasket



MS704-1

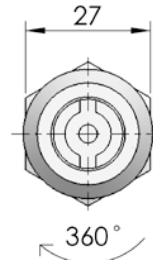
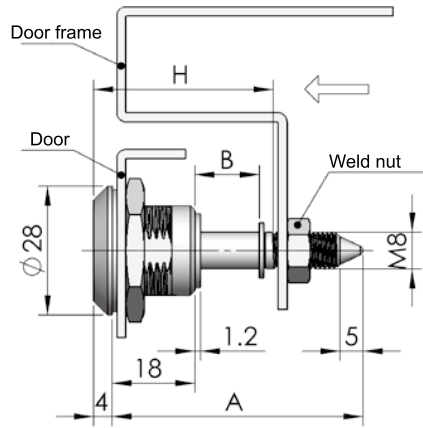


MS704-1A

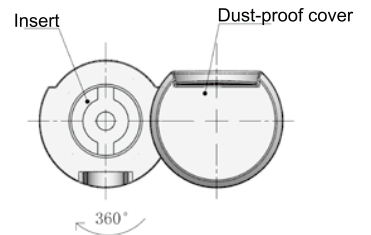
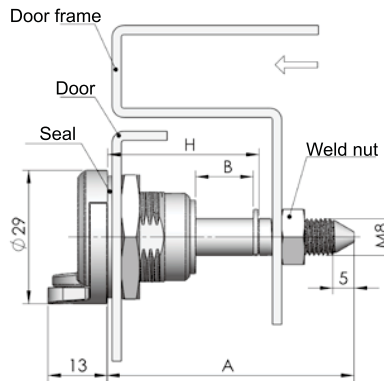


Main material and finish : Bright chrome-plated ZDC housing and steel insert
 Application : 360 degree opening or closing, with function of locking
 Remark : Optional key K15-1

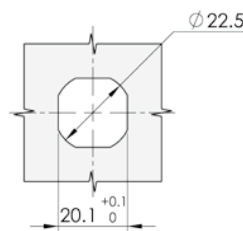
Performance parameter:
 Recommended nut tightening torque: 20N.m
 Maximum input torque: 9N.m



Insert clockwise rotation to lock



Insert clockwise rotation to lock



Cut out

Specifcation	ZDC housing		Lead sealable housing		PA housing	
	Model	ERP	Model	ERP	Model	ERP
A=40 B=2.5 H=23	MS704-1/23	MS704Z3AT02001	MS704-1A/23	MS704Z3HT02004	MS704-1F/23	MS704N00T02001
A=46 B=7.5 H=28	MS704-1/28	MS704Z3AT02002	MS704-1A/28	MS704Z3HT02005	MS704-1F/28	MS704N00T02002
A=54 B=13.5 H=34	MS704-1/34	MS704Z3AT02003	MS704-1A/34	MS704Z3HT02006	MS704-1F/34	MS704N00T02003

Summary listing of instrumental lock insert for MS705 Series

		Double bit 4mm pin			Hexagon 11mm
		Double bit 3mm pin			Thorn
		Hooked 4mm			Flat Cylinder
		Triangular 8mm			Triangular 7mm
		Square 8mm			Triangular 9mm
		Square 8mm with solt			Heptagon
		Square 6mm			Triangular 10mm with circle
		Square 7mm			Concave with solt
		Socket Hexagon 10mm			Hexagon female with pin
		Slot			

Accessories

Electronic lock

Handle lock

Cylinder lock

Plane lock

Rod control lock

Panel lock

Toggle and hook

Handles










Door stop

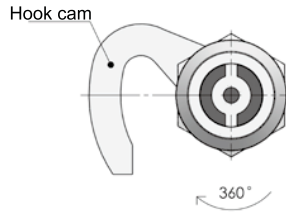
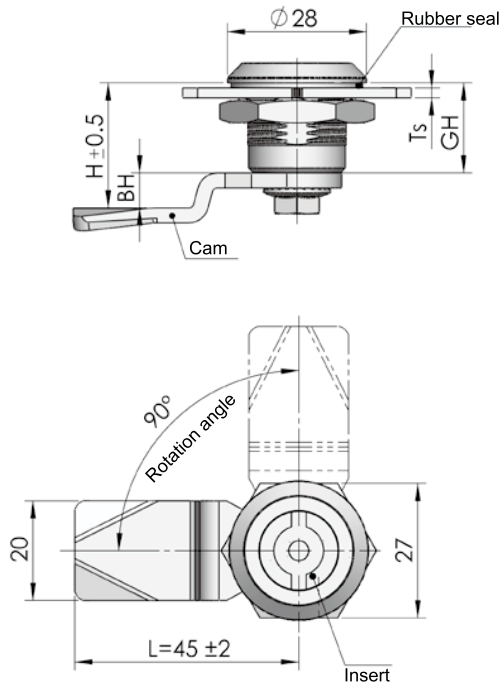
Hinge

Seal gasket

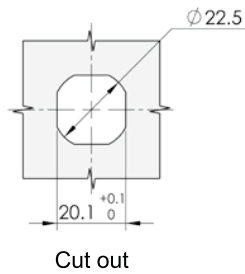
Summary listing of instrumental lock insert for MS816-1/MS816-1A series

Accessories			
Electronic lock			
Handle lock			
Cylinder lock			
Plane lock			
Rod control lock			
Panel lock			
Toggle and hook			
Handles			
Door stop			
Hinge			
Seal gasket			

- 
Triangular 8mm
- 
Hooked 4mm
- 
Socket Hexagon female 8mm
- 
Hexagon male 10mm
- 
Square 8mm
- 
Square 7mm
- 
Square 9mm
- 
Slot
- 
Triangular 7mm



Remark: Hooked cam, Ra=360°, suit for push-pull type cabinet doors



MS705



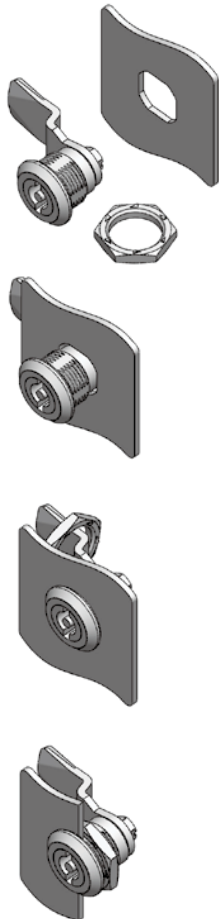
RL **IP54**

Application : Insert 90 degree quarter-turn opening or closing.

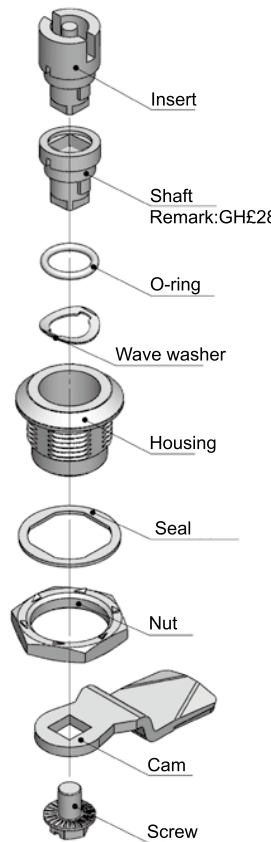
Default cam :S1B45Y07002 (ZDC)
S1B45Y07022 (SUS)

Performance parameter:
Maximum static load: 270N
Recommended nut tightening torque: 20N.m
Maximum input torque: 9N.m

Assembling sketch



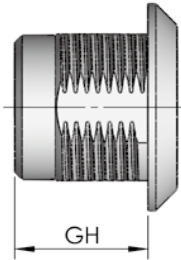
Exploded view



- Accessories
- Electronic lock
- Handle lock
- Cylinder lock
- Plane lock
- Rod control lock
- Panel lock
- Toggle and hook
- Handles
- Door stop
- Hinge
- Seal gasket



Housing



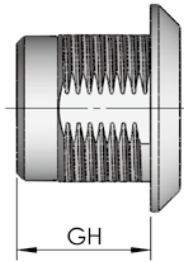
- Accessories
- Electronic lock
- Handle lock
- Cylinder lock
- Plane lock
- Rod control lock
- Panel lock
- Toggle and hook
- Handles
- Door stop
- Hinge
- Seal gasket

Specification	Housing GH=18					
	ZDC housing and bright chrome insert		SUS housing and insert		Black PA housing and bright chrome ZDC insert	
	Model	ERP	Model	ERP	Model	ERP
Double bit 4mm	MS705-1	MS705Z3AT02032	MS705-1B	MS705S00T02008	MS705-1S	MS705N00T02008
Double bit 3mm	MS705-1A	MS705Z3AT01007	MS705-1AB	MS705S00T01017	MS705-1AS	MS705N00T01014
Hooked 4mm	MS705-2	MS705Z3AT03034	MS705-2B	MS705S00T03005	MS705-2S	MS705N00T03001
Triangular 8mm	MS705-3	MS705Z3AT04041	MS705-3B	MS705S00T04008	MS705-3S	MS705N00T04017
Square 8mm	MS705-4	MS705Z3AT07021	MS705-4B	MS705S00T07007	MS705-4S	MS705N00T07001
square 8mm with solt	MS705-4A	MS705Z3AT08001	MS705-4AB	MS705S00T08005	MS705-4AS	MS705N00T08001
Square 6mm	MS705-5	MS705Z3AT05008			MS705-5S	MS705N00T05007
Square 7mm	MS705-6	MS705Z3AT06010			MS705-6S	MS705N00T06002
10mm Hexagon famale	MS705-7	MS705Z3AT09025	MS705-7B	MS705S00T09003	MS705-7S	MS705N00T09001
Slot	MS705-8	MS705Z3AT10012			MS705-8S	MS705N00T10012
11mm Hexagon male	MS705-9	MS705Z3AT11008			MS705-9S	MS705N00T11002
Thorn	MS705-10	MS705Z3AT12001			MS705-10S	MS705N00T12001
Flat Cylinder	MS705-11	MS705Z3AT13001			MS705-11S	MS705N00T13001
Triangular 7mm	MS705-12	MS705Z3AT14014			MS705-12S	MS705N00T14001
Triangular 9mm	MS705-13	MS705Z3AT15009			MS705-13S	MS705N00T15001
Heptagon male	MS705-14	MS705Z3AT16001			MS705-14S	MS705N00T16001
Triangular 10mm	MS705-15	MS705Z3AT17017			MS705-15S	MS705N00T17002
Concave with solt	MS705-16	MS705Z3AT18005			MS705-16S	MS705N00T18002
Inside hexagon with pin	MS705-18	MS705Z3AT24001				

Speci fication	Housing GH=28		Housing GH=36			
	ZDC housing, bright chrome insert		ZDC housing, bright chrome insert		Black PA housing, bright chrome ZDC insert	
	Model	ERP	Model	ERP	Model	ERP
Double bit 4mm	MS705-2M-1	MS705Z3AT02088	MS705-3M-1	MS705Z3AT02077	MS705-3M-1S	MS705N00T03003
Double bit 3mm	MS705-2M-1A	MS705Z3AT01026	MS705-3M-1A	MS705Z3AT01027	MS705-3M-1AS	MS705N00T01003
Hooked 4mm	MS705-2M-2	MS705Z3AT03022	MS705-3M-2	MS705Z3AT03015	MS705-3M-2S	MS705N00T03005
Triangular 8mm	MS705-2M-3	MS705Z3AT04027	MS705-3M-3	MS705Z3AT04096	MS705-3M-3S	MS705N00T04018
Square 8mm	MS705-2M-4	MS705Z3AT07017	MS705-3M-4	MS705Z3AT07035	MS705-3M-4S	MS705N00T07003
square 8mm with solt	MS705-2M-4A	MS705Z3AT08002	MS705-3M-4A	MS705Z3AT08025	MS705-3M-4AS	MS705N00T08003
Square 6mm	MS705-2M-5	MS705Z3AT05011	MS705-3M-5	MS705Z3AT05003	MS705-3M-5S	MS705N00T05003
Square 7mm	MS705-2M-6	MS705Z3AT06009	MS705-3M-6	MS705Z3AT06015	MS705-3M-6S	MS705N00T06003
10mm Hexagon famale	MS705-2M-7	MS705Z3AT09026	MS705-3M-7	MS705Z3AT09027	MS705-3M-7S	MS705N00T09003
Slot	MS705-2M-8	MS705Z3AT10002	MS705-3M-8	MS705Z3AT10031	MS705-3M-8S	MS705N00T10003
11mm Hexagon male	MS705-2M-9	MS705Z3AT11010	MS705-3M-9	MS705Z3AT11003	MS705-3M-9S	MS705N00T11003
Thorn	MS705-2M-10	MS705Z3AT12002	MS705-3M-10	MS705Z3AT12003	MS705-3M-10S	MS705N00T12003
Flat Cylinder	MS705-2M-11	MS705Z3AT13002	MS705-3M-11	MS705Z3AT13003	MS705-3M-11S	MS705N00T13003
Triangular 7mm	MS705-2M-12	MS705Z3AT14002	MS705-3M-12	MS705Z3AT14003	MS705-3M-12S	MS705N00T14003
Triangular 9mm	MS705-2M-13	MS705Z3AT15002	MS705-3M-13	MS705Z3AT15003	MS705-3M-13S	MS705N00T15003
Heptagon male	MS705-2M-14	MS705Z3AT16002	MS705-3M-14	MS705Z3AT16003	MS705-3M-14S	MS705N00T16003
Triangular 10mm	MS705-2M-15	MS705Z3AT17002	MS705-3M-15	MS705Z3AT17003	MS705-3M-15S	MS705N00T17003
Concave with solt	MS705-2M-16	MS705Z3AT18002	MS705-3M-16	MS705Z3AT18003	MS705-3M-16S	MS705N00T18003

Remark: For ERP no. above, default cam S1B4507 (cutout 8x8)

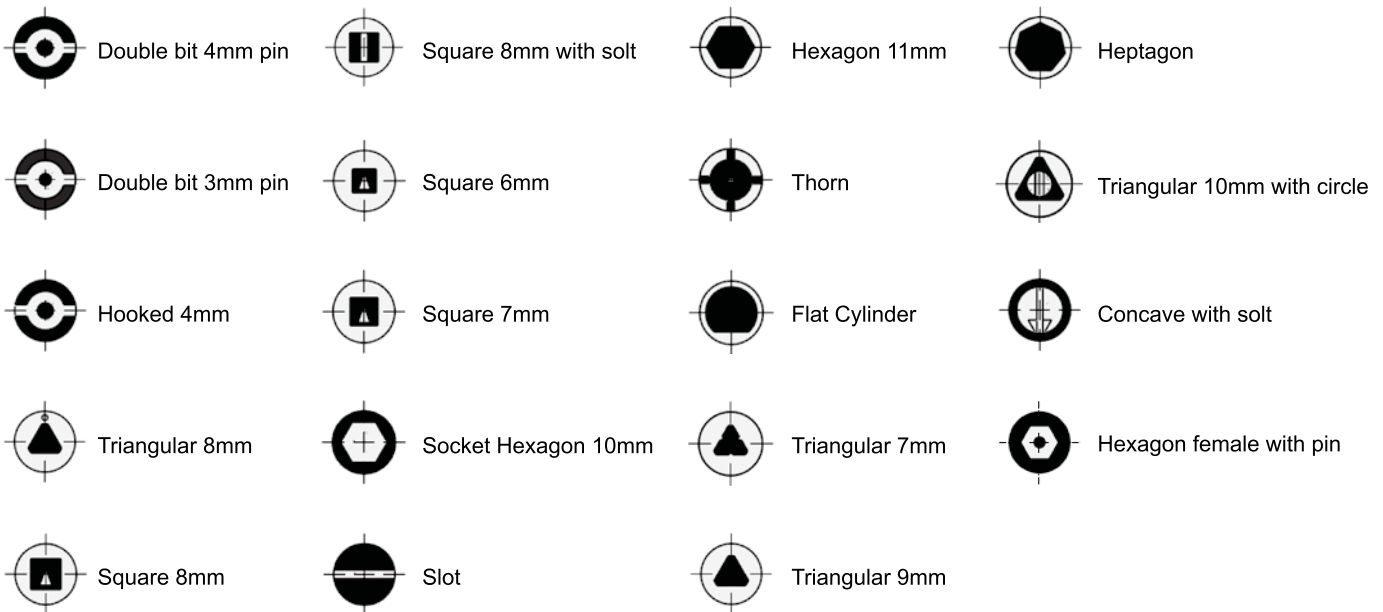
Housing



Specif cation	Housing GH=62			
	ZDC housing and bright chrome insert		housing and bright chrome ZDC insert	
	Model	ERP	Model	ERP
Double bit 4mm	MS705-H62-1	MS705Z3AT02070	MS705-H62-1S	MS705N00T02004
Double bit 3mm	MS705-H62-1A	MS705Z3AT01004	MS705-H62-1AS	MS705N00T01004
Hooked 4mm	MS705-H62-2	MS705Z3AT03073	MS705-H62-2S	MS705N00T03004
Triangular 8mm	MS705-H62-3	MS705Z3AT04099	MS705-H62-3S	MS705N00T04004
Square 8mm	MS705-H62-4	MS705Z3AT07015	MS705-H62-4S	MS705N00T07004
square 8mm with solt	MS705-H62-4A	MS705Z3AT08054	MS705-H62-4AS	MS705N00T08004
Square 6mm	MS705-H62-5	MS705Z3AT05004	MS705-H62-5S	MS705N00T05004
Square 7mm	MS705-H62-6	MS705Z3AT06004	MS705-H62-6S	MS705N00T06004
10mm Hexagon famale	MS705-H62-7	MS705Z3AT09028	MS705-H62-7S	MS705N00T09004
Slot	MS705-H62-8	MS705Z3AT10032	MS705-H62-8S	MS705N00T10004
11mm Hexagon male	MS705-H62-9	MS705Z3AT11004	MS705-H62-9S	MS705N00T11004
Thorn	MS705-H62-10	MS705Z3AT12004	MS705-H62-10S	MS705N00T12004
Flat Cylinder	MS705-H62-11	MS705Z3AT13004	MS705-H62-11S	MS705N00T13004
Triangular 7mm	MS705-H62-12	MS705Z3AT14004	MS705-H62-12S	MS705N00T14004
Triangular 9mm	MS705-H62-13	MS705Z3AT15004	MS705-H62-13S	MS705N00T15004
Heptagon male	MS705-H62-14	MS705Z3AT16004	MS705-H62-14S	MS705N00T16004
Triangular 10mm	MS705-H62-15	MS705Z3AT17004	MS705-H62-15S	MS705N00T17004
Concave with solt	MS705-H62-16	MS705Z3AT18004	MS705-H62-16S	MS705N00T18004

Remark: For ERP no. above, default cam S1B4507 (cutout 8x8)

Speci fcation



Accessories

Electronic lock

Handle lock

Cylinder lock

Plane lock

Rod control lock

Panel lock

Toggle and hook

Handles

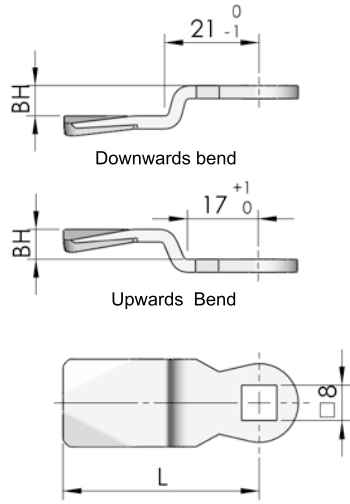
Door stop

Hinge

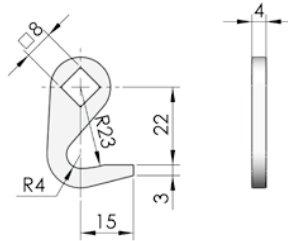
Seal gasket

Accessories
Electronic lock
Handle lock
Cylinder lock
Plane lock
Rod control lock
Panel lock
Toggle and hook
Handles
Door stop
Hinge
Seal gasket

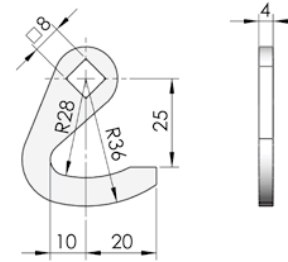
Cams (Optional)



Remark : See S1B cam series on P007

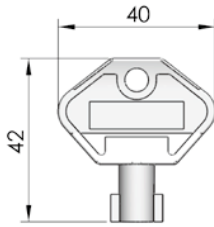


SIB2328H (Hooked cam)

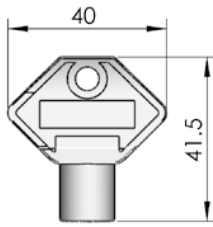


SIB2836H (Hooked cam)

Keys for selection

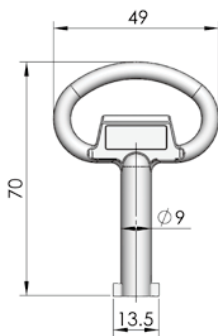


K15-1F

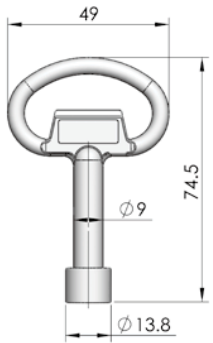


K15- F Series

Remark: Material is plastic, " " stands for the model variable.

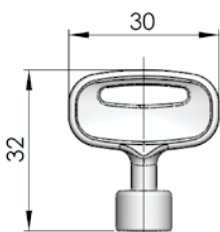


K15-1

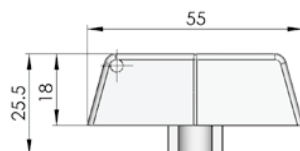


K15- Series

Remark: Material is ZDC, " " stands for the model variable.



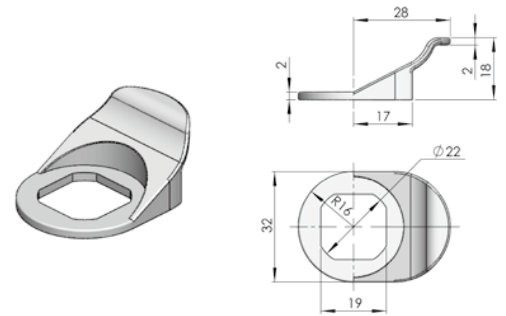
K15-05E



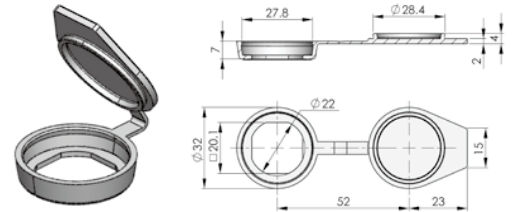
K15-01D

Remark: Material is ZDC, " " stands for the model variable.

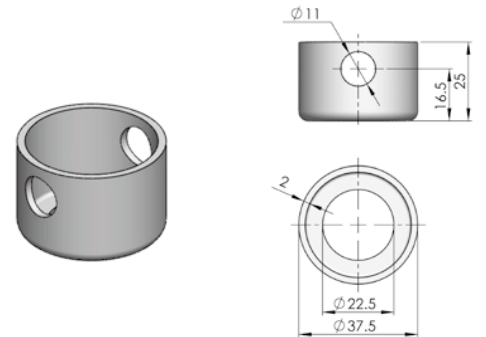
HP001 Handle pull (Optional)



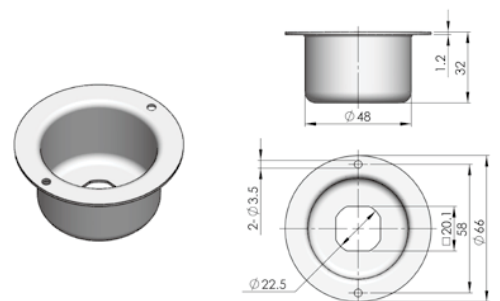
WP002 Water-proof cap (Optional)

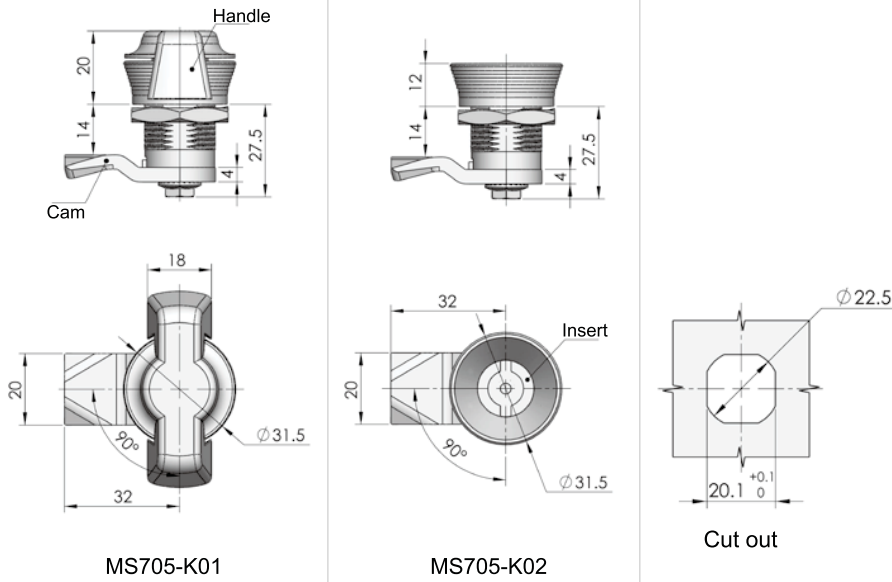


A3001 Stainless steel lock tube (Optional)



A3002 Carbon steel seat cover (Optional)





MS705-K01

MS705-K02

Specification	Model	ERP
Handles	MS705-K01	MS705Z1F000015
Double bit	MS705-K02	MS705Z1FT01001

Remark: Default cam DS1B32N04,T=4

MS705-K



RL IP54

Main material and finish : Green powder coated ZDC handle, housing and insert, white zinc-plated steel cam
 Application: Quarter-turn opening or closing
 Remark : Optional key K15-01C

Default cam : S1B32N04002

Performance parameter:

Maximum static load: 210N

Recommended nut tightening torque: 20N.m

Maximum input torque: 15N.m

Accessories

Electronic lock

Handle lock

Cylinder lock

Plane lock

Rod control lock

Panel lock

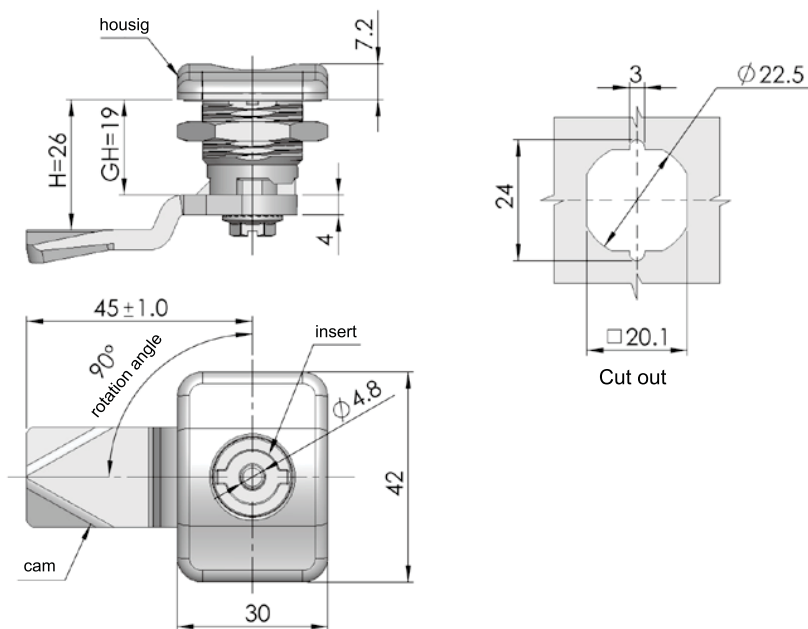
Toggle and hook

Handles

Door stop

Hinge

Seal gasket



ERP

MS705Z2AT20003

MS705-Q



RL IP54

Main material and finish : Black painted ZDC housing, Bright chrome plated insert, white zinc-plated cam and screw.
 Remark: Default key K15-1

Performance parameter:

Maximum static load: 270N

Recommended nut tightening torque :20N.m

Maximum input torque: 9N.m

Accessories

Electronic lock

Handle lock

Cylinder lock

Plane lock

Rod control lock

Panel lock

Toggle and hook

Handles

Door stop

Hinge

Seal gasket

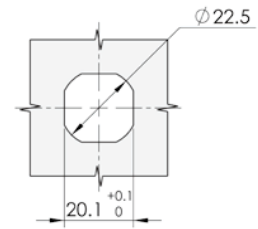
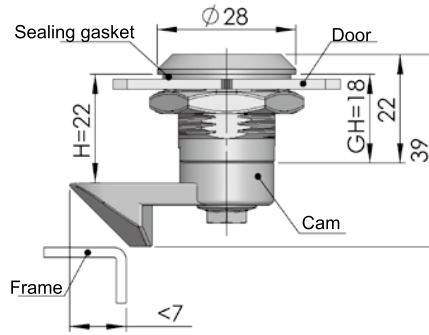
MS705-1W-2D



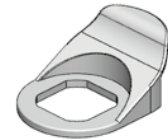
R **L**

Main material and finish: Bright chrome ZDC housing, insert and cam
 Application: Quarter turn opening or closing, auto locking function
 Remark: Optional key K15 series

Performance parameter:
 Maximum static load: 270N
 Recommended nut tightening torque: 20N.m
 Maximum input torque: 9N.m



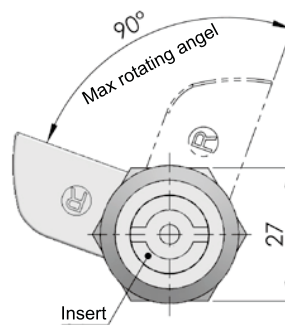
Cut out



Handle pull (optional)



Water proof cap (optional)



	MS705-1W-2D Left hand cam	MS705-1W-2DRight hand cam
ERP	MS705Z3AT02020	MS705Z3AT02018

Panel lock

Toggle and hook

Handles

Door stop

Hinge

Seal gasket

MS705-3C

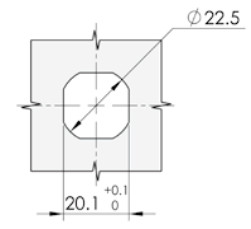
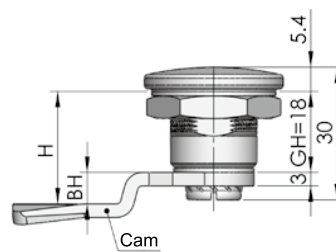


RL

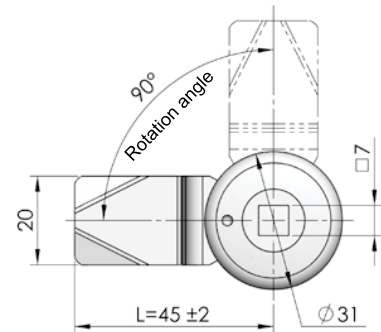
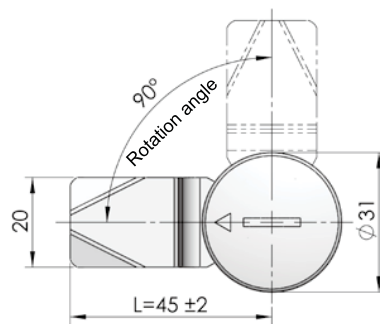
Main material and finish: Sand-spray, and bright chrome-plated ZDC housing, white zinc-plated steel cam
 Application: Quarter-turn opening or closing

Default cam: S1B45Y02002

Performance parameter:
 Maximum static load: 270N
 Recommended nut tightening torque: 20N.m
 Maximum input torque: 6N.m

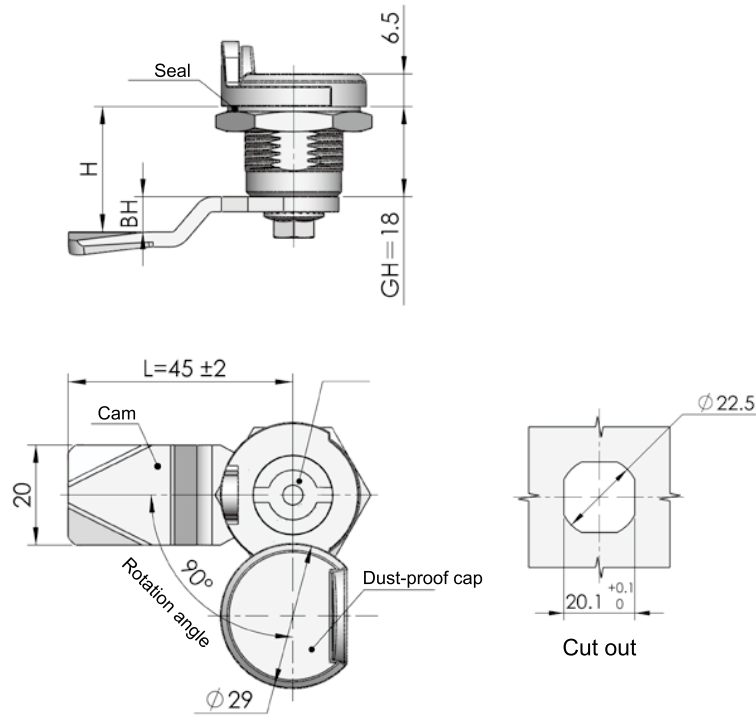


Cut out



Specification	Model	ERP
Slot	MS705-3C-1	MS705Z1B000002
Square 7x7	MS705-3C-2	MS705Z3HT06001

Remark: default cam S1B4502 (Cut out 8x8 cam)



MS705-3A



RL

Main material and finish : Sand-spray and bright chrome-plated ZDC housing, insert and dust-proof cap, white zinc-plated steel cam

Application : Quarter-turn opening or closing

Remark: Optional key K15 series

Default cam : S1B45Y07002

Performance parameter:

Maximum static load: 270N

Recommended nut tightening torque: 20N.m

Maximum input torque: 9N.m

ERP	Model	Insert range	Optional key
MS705Z3HT02009	MS705-3A-1	Double bit 4mm	K15-1/K15-1F/K15-1A
MS705Z3HT01008	MS705-3A-1A	Double bit 3mm	K15-1/K15-1F/K15-1A
MS705Z3HT03008	MS705-3A-2	Hooked 4mm	K15-1
MS705Z3HT04010	MS705-3A-3	Triangular 8mm	K15-3/K15-3F
MS705Z3HT07007	MS705-3A-4	Square 8mm	K15-4/K15-4F
MS705Z3HT08005	MS705-3A-4A	square 8mm with solt	K15-4/K15-4F
MS705Z3HT05005	MS705-3A-5	Square 6mm	K15-5/K15-5F/K15-5A
MS705Z3HT06005	MS705-3A-6	Square 7mm	K15-6/K15-6F
MS705Z3HT09001	MS705-3A-7	10mm Hexagon female	K15-7/K15-7F
MS705Z3HT10007	MS705-3A-8	Slot	
MS705Z3HT11005	MS705-3A-9	11mm Hexagon male	K15-9/K15-9F
MS705Z3HT12005	MS705-3A-10	Thorn	K15-10
MS705Z3HT13005	MS705-3A-11	Flat Cylinder	K15-11
MS705Z3HT14007	MS705-3A-12	Triangular 7mm	K15-3/K15-3F
MS705Z3HT15005	MS705-3A-13	Triangular 9mm	
MS705Z3HT16005	MS705-3A-14	Heptagon male	
MS705Z3HT17005	MS705-3A-15	Triangular 10mm	
MS705Z3HT18005	MS705-3A-16	Concave with solt	

Remark: For ERP no. above, default cam S1B4507 (cut out 8x8)

Accessories

Electronic lock

Handle lock

Cylinder lock

Plane lock

Rod control lock

Panel lock


Toggle and hook

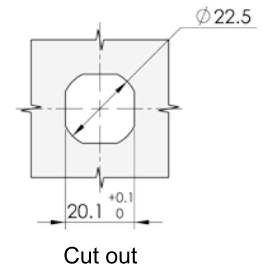
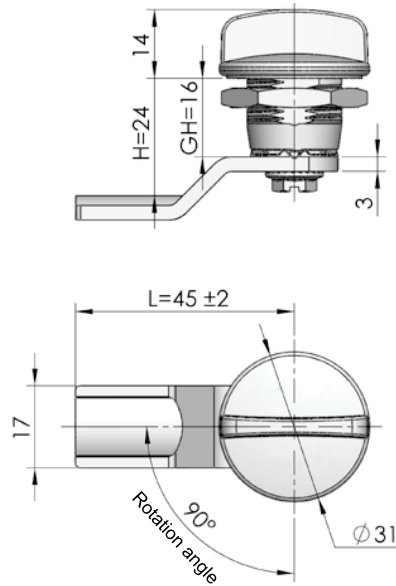
Handles

Door stop

Hinge


Seal gasket

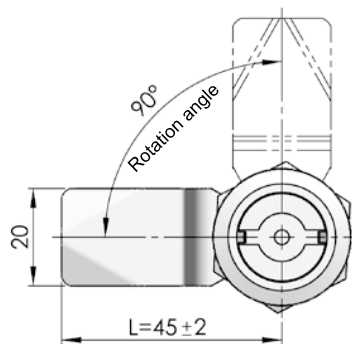
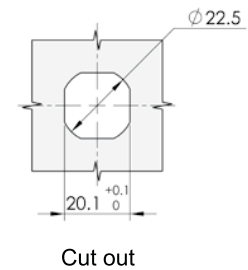
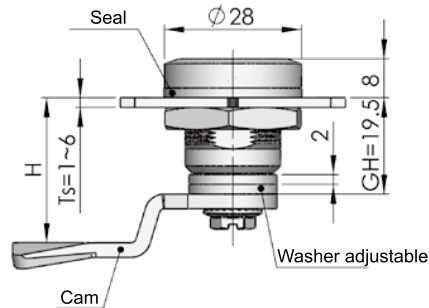
Accessories	 <p>MS705-3C-4</p>
Electronic lock	
Handle lock	
Cylinder lock	
Plane lock	
Rod control lock	<p>RL</p> <p>Main material and finish: Bright chrome ZDC housing, black powder coated handle Application : Quarter-turn opening or closing</p> <p>Default cam : S1V45Y08001</p> <p>Performance parameter: Maximum static load: 270N Recommended nut tightening torque: 20N.m Maximum input torque: 9N.m</p>



ERP MS705Z3A000009

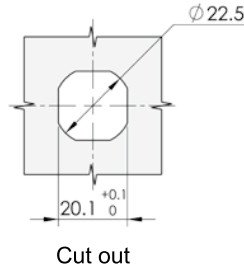
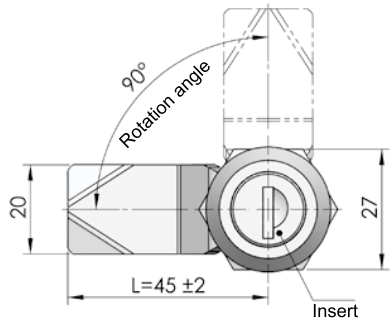
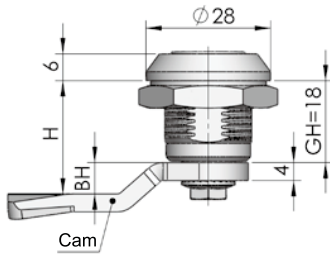
Remark : Default cam S1V4508

Panel lock	 <p>MS705-3D</p>
Toggle and hook	
Handles	
Door stop	
Hinge	
Seal gasket	<p>RL IP54</p> <p>Main material and finish : Black powder coated ZDC housing and insert, white zinc-plated steel cam Application : Quarter-turn opening or closing Remark : Optional key K15-1A</p> <p>Performance parameter: Maximum static load: 270N Recommended nut tightening torque: 20N.m Maximum input torque: 9N.m</p>



ERP MS705Z2AT01018

Default cam: S1B4507 (cut out 8x8)



Specification	Model	ERP
ZDC housing,insert(RH-rotation)	MS705-3E	MS705Z1A140026
ZDC housing,insert(LH-rotation)	MS705-3E-2	MS705Z3A140011
PA housing,insert(RH-rotation)	MS705-3E-F	MS705N00140007

Default cam: S1B4507 T=4 (cut out 8x8)

MS705-3E



RL

Main material and finish : Black powder coated ZDC housing, white zinc-plated steel cam

Application : Quarter-turn opening or closing

Remark: Default key K140

Performance parameter:

Maximum static load: 220N

Recommended nut tightening torque: 20N.m

Accessories

Electronic lock

Handle lock

Cylinder lock

Plane lock

Rod control lock

Panel lock

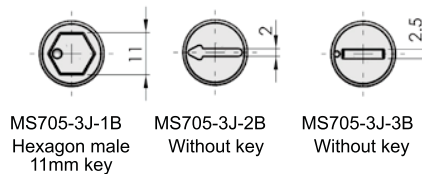
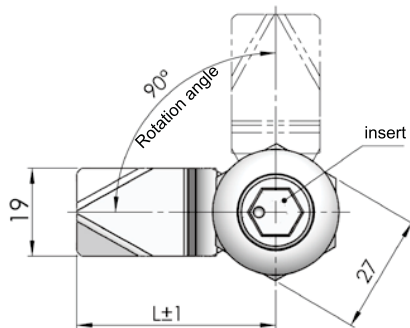
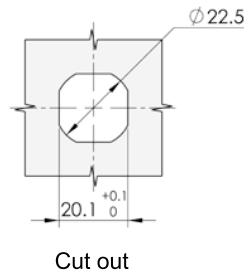
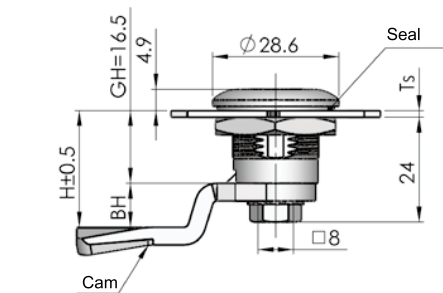
Toggle and hook

Handles

Door stop

Hinge

Seal gasket



	MS705-3J-1B	MS705-3J-2B	MS705-3J-3B
ERP	MS705S4AT09001	MS705S4AT32004	MS705S4AT32003

Remark:Default cam S1B4507,T=4 (Optional cam8x8)

MS705-3J



IP 55

Main material and finish : Stainless steel housing,insert,nut,screw,cam.

Application: Quarter-turn opening or closing

Remark: Optional three types of insert.

ERP of Cam:S1B45Y07002


Performance parameter:

Maximum static load: 270N

Recommended nut tightening torque: 20N.m

Maximum input torque: 9N.m

MS705-3U




RL IP54

Main material and finish : Black powder coated ZDC housing, or black PA housing, white zinc-plated steel cam
 Application : Quarter-turn opening or closing

Default cam : S1B45Y07002

Performance parameter:
 Maximum static load: 220N
 Recommended nut tightening torque: 20N.m
 Maximum input torque: 20N.m

MS705-8G

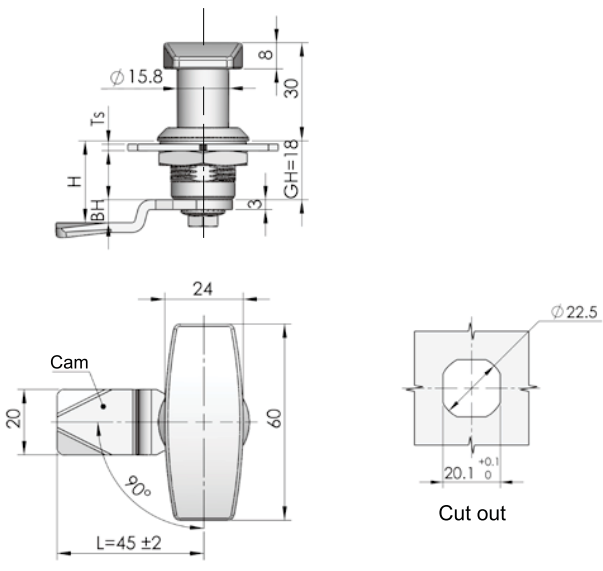


IP55

Material: ZDC housing, insert, nut and steel cam.
 Finish: bright chrome housing and insert; white plated cam.
 Construction: Quarter turn opening or closing

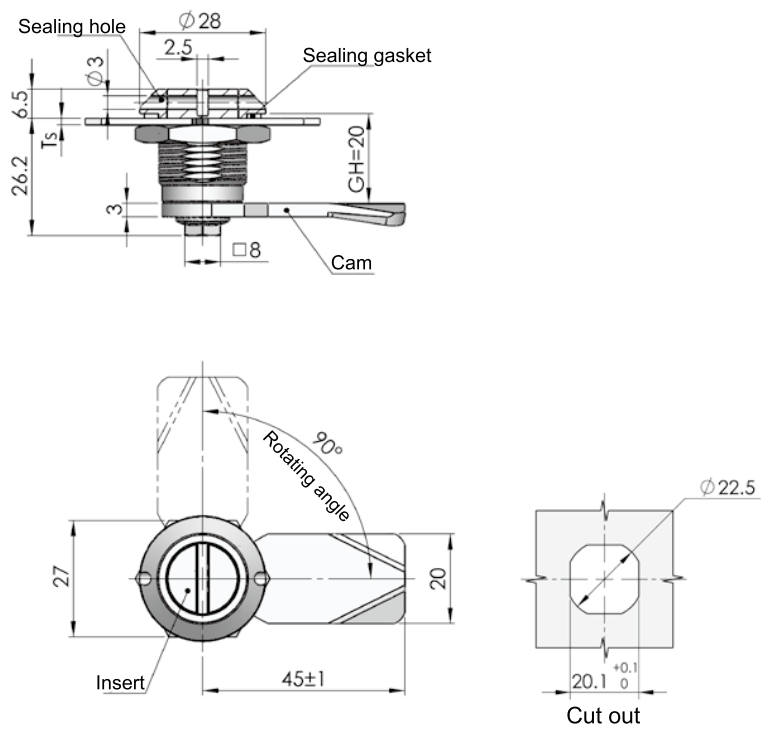
Default cam : S1B45Y00002

Performance parameter:
 Maximum static load: 270N
 Recommended nut tightening torque: 20N.m
 Maximum input torque: 9N.m

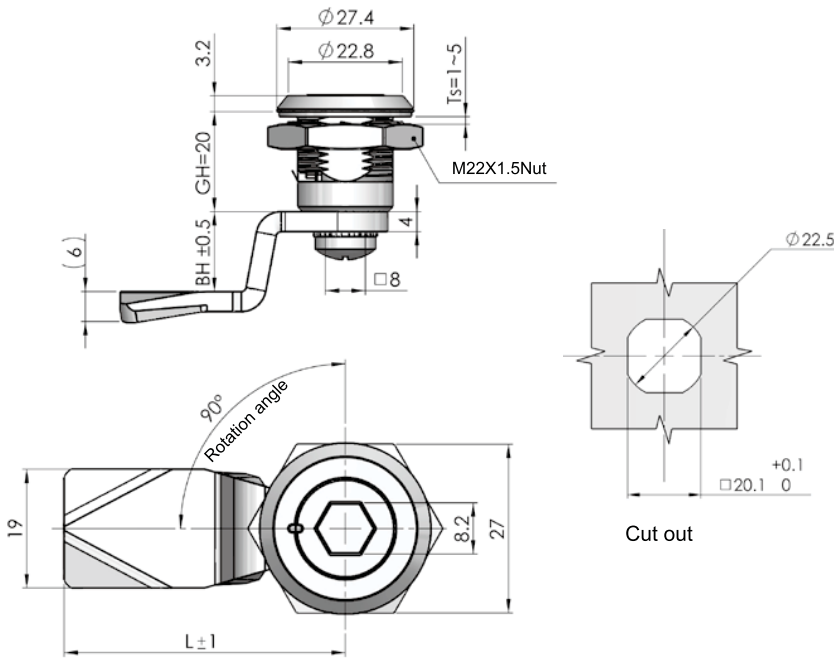


Specification	ZDC housing and handle		PA housing, ZDC handle	
	Model	ERP	Model	ERP
GH=18	MS705-3U-1	MS705Z1A000028	MS705-3U-1F	MS705N00000009
GH=28	MS705-3U-2	MS705Z1A000047	MS705-3U-2F	MS705N00000008
GH=36	MS705-3U-3	MS705Z1A000048	MS705-3U-3F	MS705N00000007
GH=62	MS705-3U-4	MS705Z1A000049	MS705-3U-4F	MS705N00000010

Remark : Default cam S1B4507 (cut out 8x8)



ERP	MS705Z3AT10030
Remark: Default cam S1B4500 (Cutout 8x8)	



ERP MS705Z2AT24005

MS705-24G

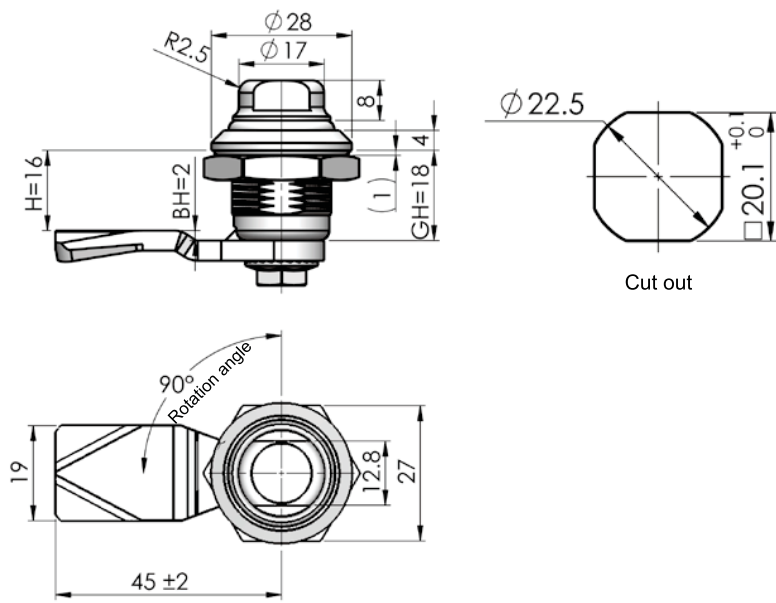


IP 54

Main material and finish : Black painted ZDC housing,insert,nut,black zinc plated steel cam
 Application: Quarter-turn opening or closing,with damping.

Performance parameter:
 Maximum static load: 270N
 Recommended nut tightening torque: 20N.m
 Maximum input torque: 9N.m

New product,Please consult technical department when ordering.



ERP MS705S00T13001

MS705-27



IP 65

Main material and finish : Stainless steel 316 housing,insert,cam,screw.Cam electrolysis
 Application: Quarter-turn opening or closing
 Remark: Cam is optional.

Performance parameter:
 Insert rotation torque: 0.5N.m-2.5N.m
 Cam load capability: 300N.
 Maximum input torque: 9N.m
 Recommended nut tightening torque: 20N.m

- Accessories
- Electronic lock
- Handle lock
- Cylinder lock
- Plane lock
- Rod control lock
- Panel lock
- Toggle and hook
- Handles
- Door stop
- Hinge
- Seal gasket

Accessories

Electronic lock

Handle lock

Cylinder lock

Plane lock

Rod control lock

Panel lock

Toggle and hook

Handles

Door stop

Hinge

Seal gasket

MS706



Main material and finish: Bright chrome plated ZDC housing and insert, white zinc plated steel cam

Application: Cam 180 degree rotation to open or lock

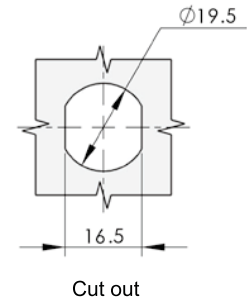
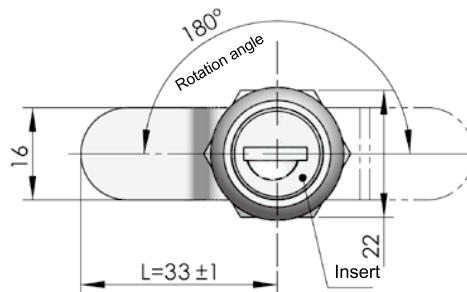
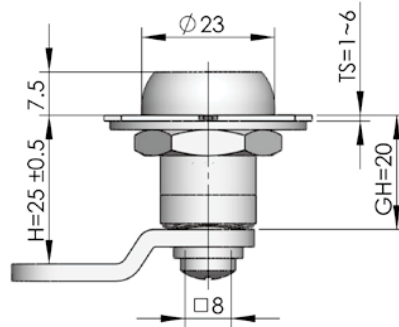
Remark: Default key K130

Default cam : S1B33Y06002

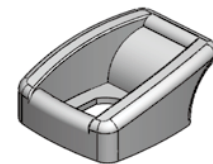
Performance parameter:

Maximum static load: 100N

Recommended nut tightening torque: 20N.m



WP003



HP002



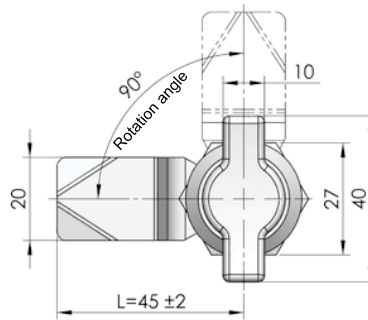
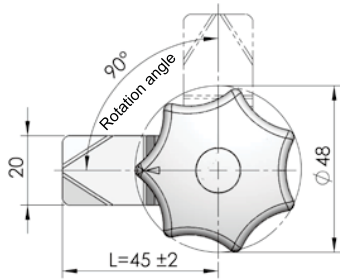
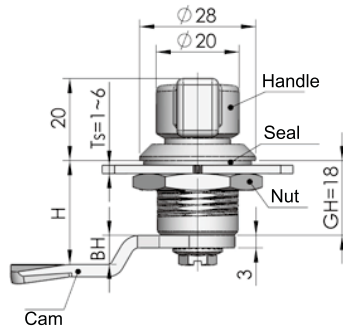
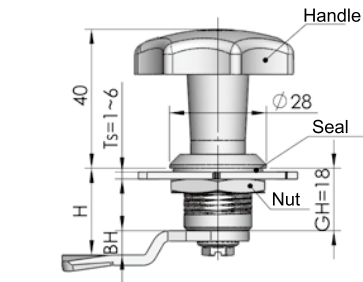
HP003



DP001

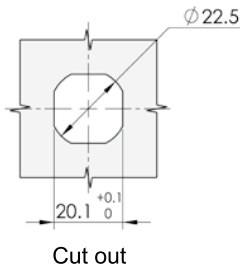
Model	ERP
MS706-1	MS706Z3A130001
MS706-2	MS706Z3A130012
MS706-3	MS706Z3A130004

Remark : Default cam S1B3306



MS714-1 Series

MS714-2 Series



Cut out

MS714-1



MS714-2



RL **IP54**

Main material and finish : Black powder coated ZDC housing or PA housing, PA handle, white zinc plated steel cam
Application : Quarter-turn opening or closing

MS714-2 Performance parameter:
Maximum static load: 220N
Recommended nut tightening torque: 20N.m
Maximum input torque: 9N.m

Specification	Knob			
	black powder coated ZDC housing, PA handle		PA housing and handle	
	Model	ERP	Model	ERP
GH=18	MS714-1-1	MS714Z1A000020	MS714-1A-1	MS714N00000001
GH=28	MS714-1-2	MS714Z1A000002	MS714-1A-2	MS714N00000002
GH=36	MS714-1-3	MS714Z1A000003	MS714-1A-3	MS714N00000003
GH=62	MS714-1-4	MS714Z1A000004	MS714-1A-4	MS714N00000004

Specification	Handle			
	black powder coated ZDC housing, PA handle		PA housing and handle	
	Model	ERP	Model	ERP
GH=18	MS714-2-1	MS714Z1A000040	MS714-2A-1	MS714N00000014
GH=28	MS714-2-2	MS714Z1A000053	MS714-2A-2	MS714N00000006
GH=36	MS714-2-3	MS714Z1A000054	MS714-2A-3	MS714N00000007
GH=62	MS714-2-4	MS714Z1A000008	MS714-2A-4	MS714N00000008

Remark: Default cam S1B4507 (cut out 8x8)

Accessories

Electronic lock

Handle lock

Cylinder lock

Plane lock

Rod control lock

Panel lock

Toggle and hook

Handles

Door stop

Hinge


Seal gasket

Accessories

Electronic lock

Handle lock

MS714-3



RL IP54

Main material and finish : Pocked black powder coated ZDC housing and handle, white zinc-plated steel cam

Application : Handle 90 degree quarter-turn opening or closing

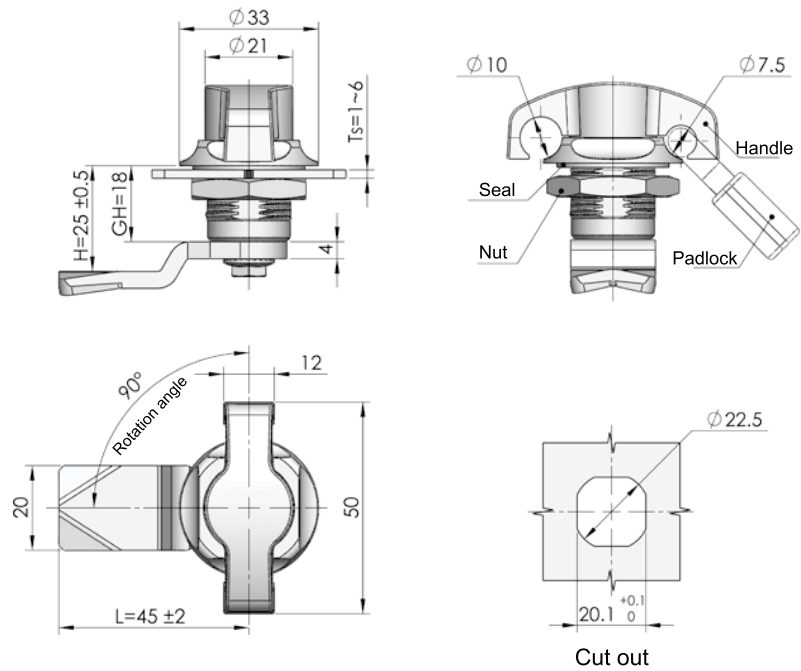
Cylinder lock

Plane lock

Default cam : S1B45Y07005

Performance parameter:
 Maximum static load: 250N
 Recommended nut tightening torque: 20N.m
 Maximum input torque: 18N.m

Rod control lock




ERP MS714Z1B000007

Remark: Default cam S1B4507, T=4 (cut out 8x8)

Panel lock

Toggle and hook

MS714-4



RL IP54

Main material and finish : Pocked black powder coated ZDC housing, PA handle, white zinc-plated steel cam

Application : Handle 90 degree quarter-turn opening or closing

Handles

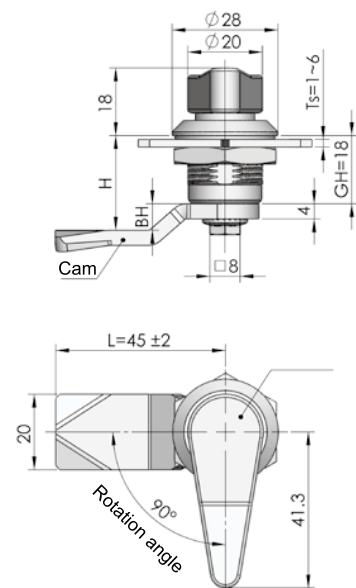
Door stop

Default cam : S1B45Y07005

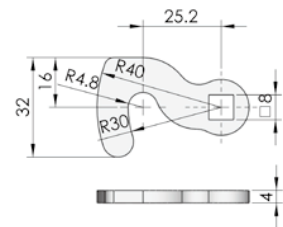
Performance parameter:
 Maximum static load: 250N
 Recommended nut tightening torque: 20N.m
 Maximum input torque: 18N.m

Hinge

Seal gasket



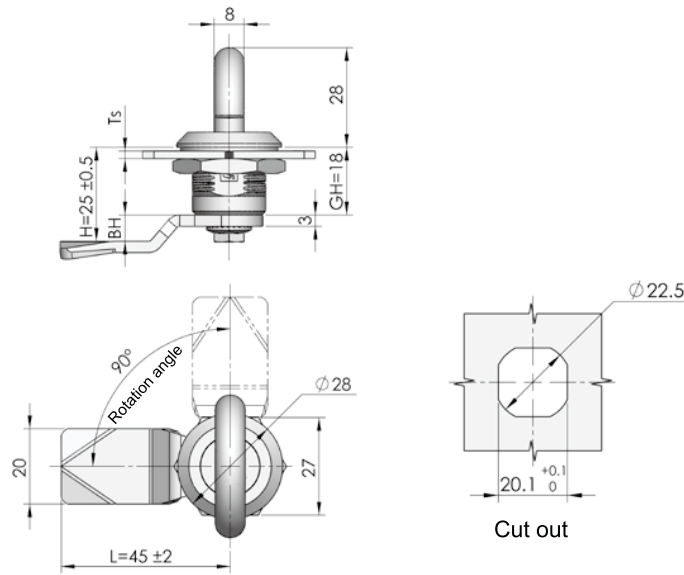
Cams (Optional)



ERP S1B30Y40001

Specifcation	ZDC housing, PA handle		PA housing and handle	
	Model	ERP	Model	ERP
GH=18	MS714-4-1	MS714Z1A000061	MS714-4A-1	MS714N00000009
GH=28	MS714-4-2	MS714Z1A000013	MS714-4A-2	MS714N000000010
GH=36	MS714-4-3	MS714Z1A000014	MS714-4A-3	MS714N000000011
GH=62	MS714-4-4	MS714Z1A000015	MS714-4A-4	MS714N000000012

Remark : Default cam S1B4507, T=4 (cut out 8x8)



Specification	ZDC housing, bright chrome handle	PA housing and ZDC handle
GH=18	MS715Z3A000001	MS715N00000001
GH=28	MS715Z3A000002	MS715N00000002
GH=36	MS715Z3A000003	MS715N00000003
GH=62	MS715Z3A000004	MS715N00000004

Remark: Default cam S1B4507, T=4 (cut out 8x8)

MS715



RL IP54

Main material and finish : Bright chrome-plated ZDC housing or PA housing, bright chrome plated ZDC handle, white zinc-plated steel cam

Application : Handle 90 degree quarter-turn opening or closing

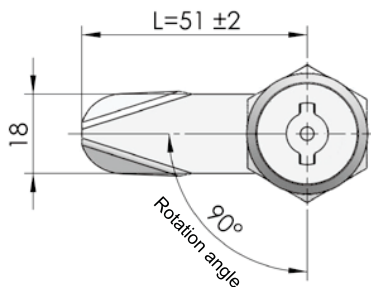
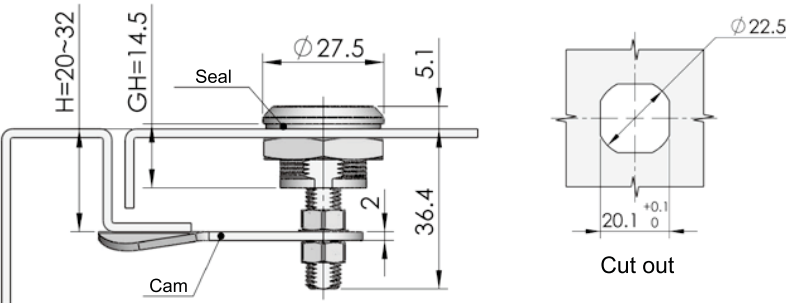
Default cam : S1B45Y07002

Performance parameter:

Maximum static load: 220N

Recommended nut tightening torque: 20N.m

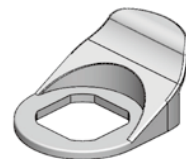
Maximum input torque: 11N.m



ERP

MS721Z3AT01001

Remark : Default cam S1W5100 (cut out Ø8x6)



HP001 Handle pull (Optional)



WP002 Water-proof cap (Optional)

MS721



Main material and finish: Bright chrome-plated ZDC housing and insert, steel cam

Application : Handle 120 degree quarter-turn opening or closing

Default cam : S1W51Y00001

Performance parameter:

Maximum static load: 220N

Recommended nut tightening torque: 20N.m

- Accessories
- Electronic lock
- Handle lock
- Cylinder lock**
- Plane lock
- Rod control lock
- Panel lock
- Toggle and hook
- Handles
- Door stop
- Hinge
- Seal gasket

Accessories
Electronic lock
Handle lock
Cylinder lock
Plane lock
Rod control lock
Panel lock
Toggle and hook
Handles
Door stop
Hinge
Seal gasket

MS722



RL **IP54**

Main material and finish: Bright chrome-plated ZDC housing, white zinc-plated steel cam and insert

Application : Quarter-turn opening or closing

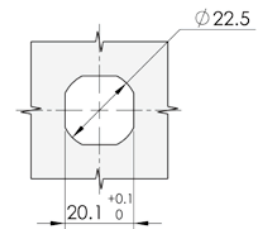
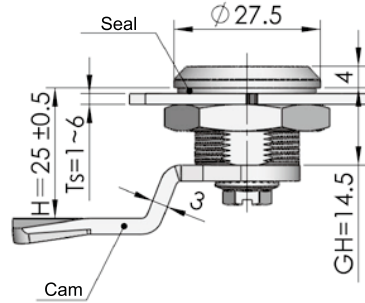
Remark : Optional key K15-1

Default cam : S1B45Y07002

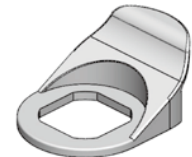
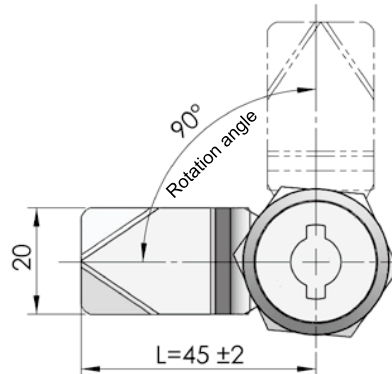
Performance parameter:

Maximum static load: 220N

Recommended nut tightening torque: 20N.m



Cut out



HP001 Handle pull (Optional)



WP002 Water-proof cap (Optional)

ERP

MS722Z3AT01009

Remark: Default cam S1B4507,T=4 (cut out 8x8)



MS729-1

MS729-2

MS729-3

RL

Main material and finish: Bright chrome plated ZDC housing and insert, white zinc plated steel cam

Application: Quarter-turn opening or closing

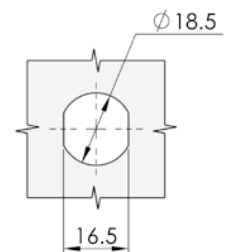
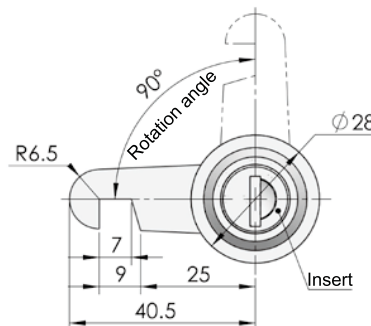
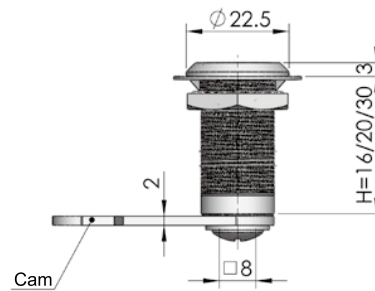
Remark: Default key K420

Default cam : S1B40Y00001

Performance parameter:

Maximum static load: 150N

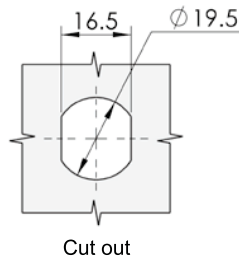
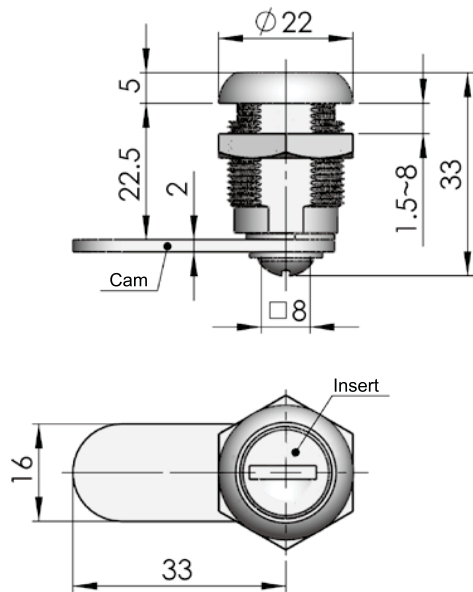
Recommended nut tightening torque: 20N.m



Cut out

	MS729-1	MS729-2	MS729-3
ERP	MS729Z3A420022	MS729Z3A420002	MS729Z3A420017

Remark : Default cam S1B4000



ERP MS733Z3A430009

Remark : Default cam S1B3300

MS733



RL

Main material and finish: Bright chrome-plated ZDC housing and insert, white zinc-plated steel cam

Application: Quarter-turn opening or closing

Remark: Default key K430

Default cam : S1B33Y00005

Performance parameter:

Maximum static load: 220N

Recommended nut tightening torque: 20N.m

Accessories

Electronic lock

Handle lock

Cylinder lock

Plane lock

Rod control lock

Panel lock

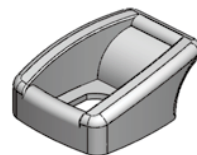
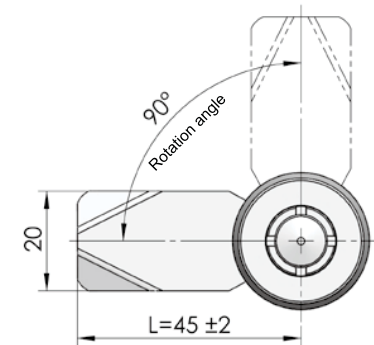
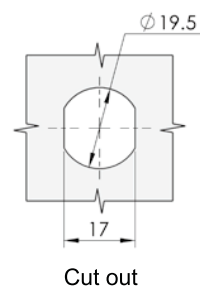
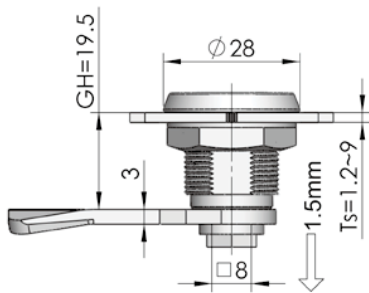
Toggle and hook

Handles

Door stop

Hinge

Seal gasket



HP002 (Optional)



HP003 (Optional)

ERP MS734Z3AT12001

Remark : Default cam S1B4500 (cut out 8x8)

MS734



RL

Main material and finish : Bright chrome-plated ZDC housing and insert, white zinc-plated steel cam

Application : Quarter-turn opening or closing, with function of locking

Remark : Optional key K15-10

Default cam : S1B45Y00002

Performance parameter:

Maximum static load: 270N

Recommended nut tightening torque: 20N.m

Maximum input torque: 8N.m

Accessories

MS735



Electronic lock

Handle lock



Cylinder lock

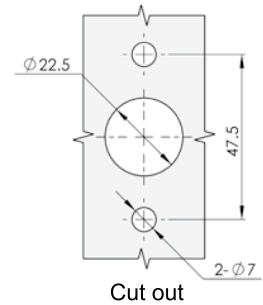
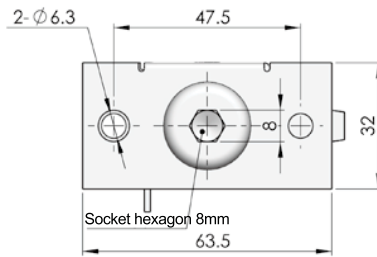
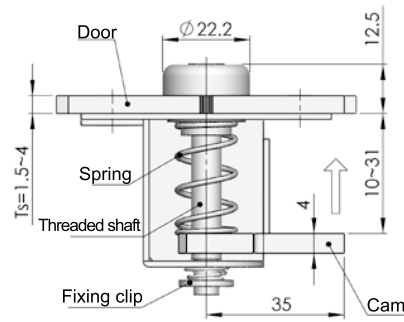
Main material and finish : White zinc-plated steel lock body.
Application : Quarter-turn opening or closing, with function of locking

Plane lock

Default cam : S1S35Y00001

Rod control lock

Performance parameter:
Maximum static load: 160N
Maximum input torque: 11N.m



ERP MS735F3D000002

Remark : Default cam S1S3500

Panel lock

MS735-2



Toggle and hook

Handles



Door stop

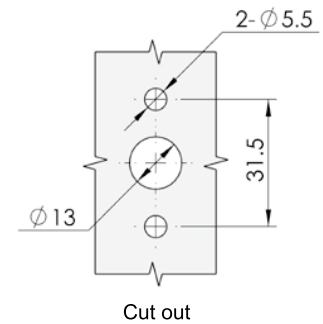
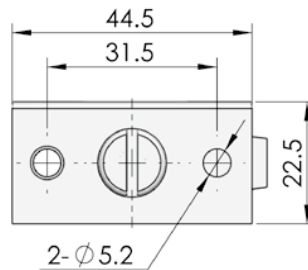
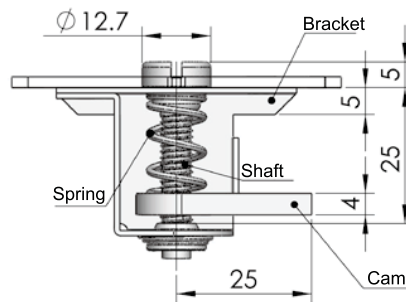
Main material and finish : Trivalent zinc-plated steel lock body.
Application : Quarter-turn opening or closing

Hinge

Default cam : S1S25Y00001

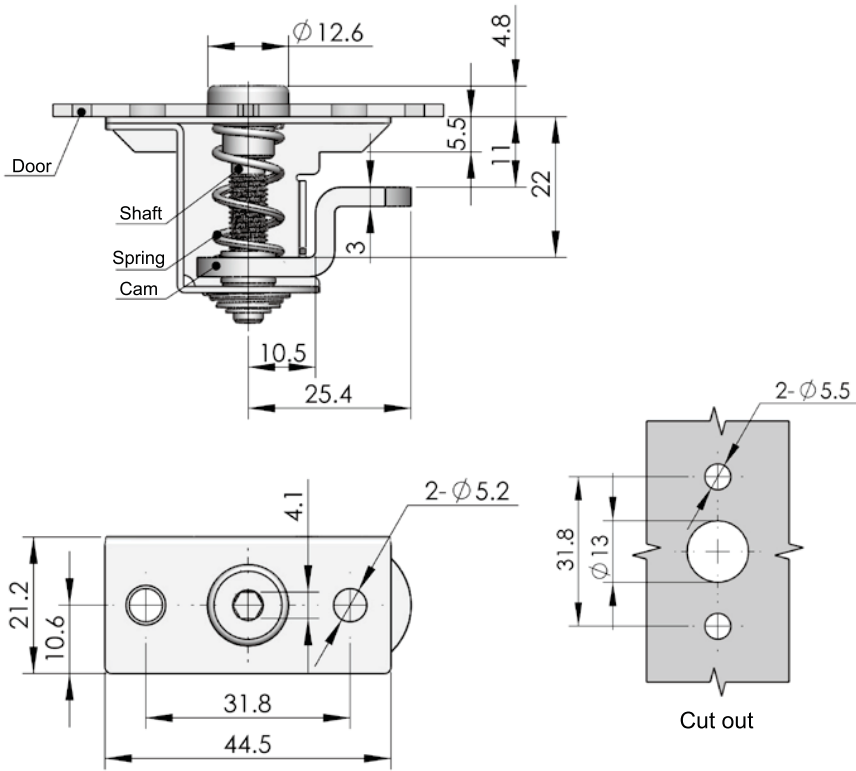
Seal gasket

Performance parameter:
Maximum static load: 160N
Maximum input torque: 11N.m

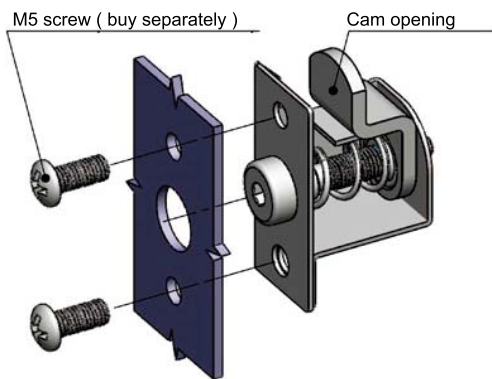


ERP MS735F3E000001

Remark : Default cam S1S2500



Example of assembling



MS735-4



Main material and finish: White zinc-plated steel lock body
 Application: Quarter-turn opening or closing, cam adjustable

Default cam : S1S25Y11001

Performance parameter:
 Maximum static load: 280N

ERP MS735F3D000001

Remark : Default cam S1S2511

- Accessories
- Electronic lock
- Handle lock
- Cylinder lock**
- Plane lock
- Rod control lock
- Panel lock
- Toggle and hook
- Handles
- Door stop
- Hinge
- Seal gasket

Accessories

Electronic lock

Handle lock

Cylinder lock

Plane lock

Rod control lock

Panel lock

Toggle and hook

Handles

Door stop

Hinge

Seal gasket

MS741



Main material and finish: Bright chrome-plated ZDC housing and insert, white zinc plated steel cam

Application: Quarter-turn opening or closing, with function of locking automatically

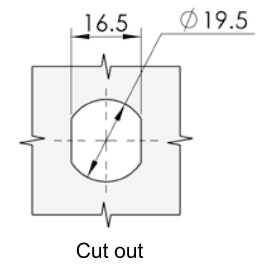
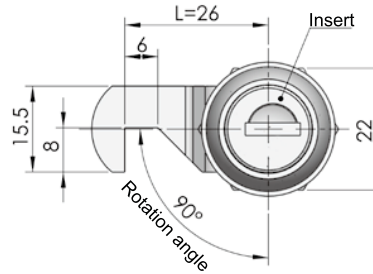
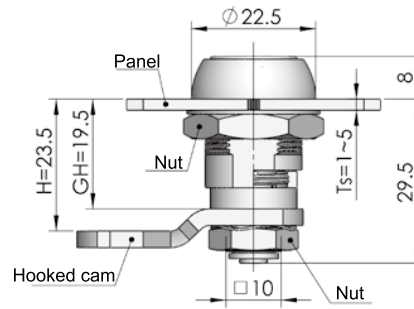
Remark: Default key K160

Default cam : S1C32Y04001

Performance parameter:

Maximum static load: 140N

Recommended nut tightening torque: 20N.m



ERP	MS741Z3A160001
-----	----------------

Remark : Default cam S1C3204

MS742



Main material and finish: White zinc-plated steel housing cam and shaft , PA cap

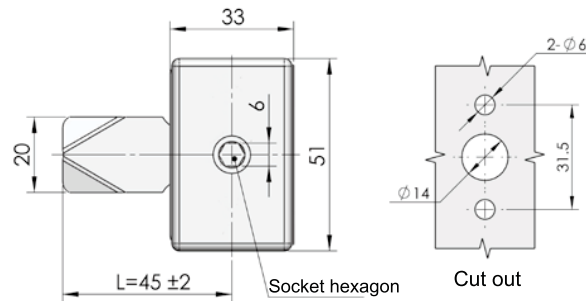
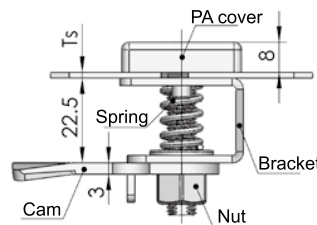
Application: Quarter-turn opening or closing

Default cam : S1K45Y00001

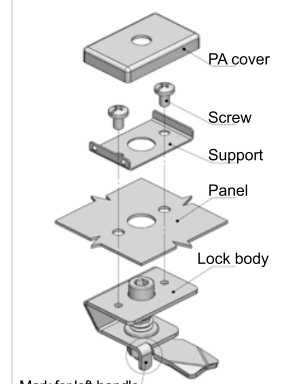
Performance parameter:

Maximum static load: 140N

Maximum input torque: 4N.m



Exploded view



Specification	Model	ERP
Close from left rotation	MS742-Z	MS742F3D000001
Close from right rotation	MS742-Y	MS742F3D000002

Remark : Default cam S1K4500

Accessories

Electronic lock

Handle lock

Cylinder lock

Plane lock

Rod control lock

Panel lock

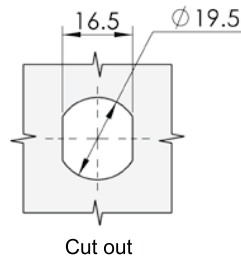
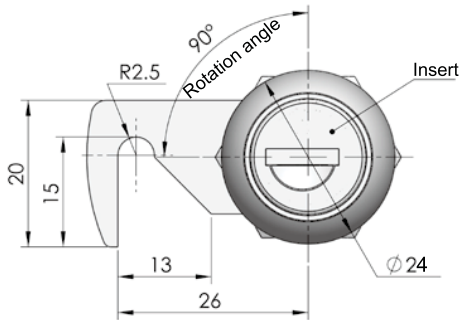
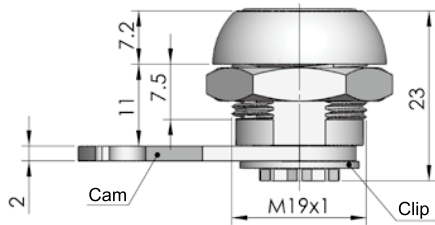
Toggle and hook

Handles

Door stop

Hinge

Seal gasket



ERP

MS743Z3A282001

Remark : Default cam S1B3000 (cut out 8x8)

MS743



IP40

Main material and finish: Bright chrome-plated ZDC housing, white zinc-plated steel cam

Application: Quarter-turn opening or closing

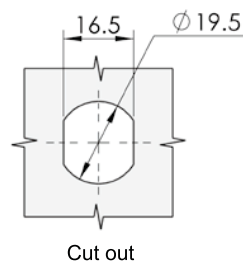
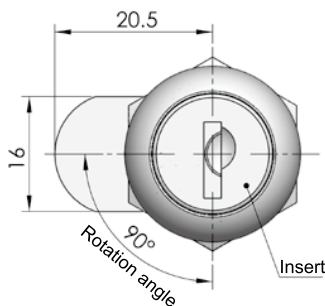
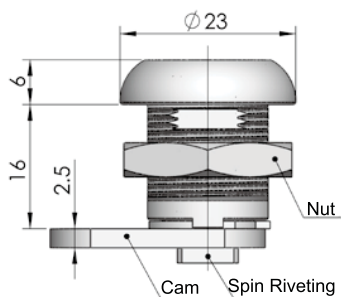
Remark: Default key K282

Default cam : S1B30Y00006

Performance parameter:

Maximum static load: 140N

Recommended nut tightening torque: 20N.m



ERP

MS744Z3D160002

Remark : Default cam S1B2000 (cut out 8x8)

MS744



RL IP40

Main material and finish: White zinc-plated ZDC housing and steel cam

Application: Quarter-turn opening or closing

Remark: Default key K160

Default cam : S1B20Y00001

Performance parameter:

Maximum static load: 130N

Recommended nut tightening torque: 20N.m

Accessories

Electronic lock

Handle lock

Cylinder lock

Plane lock

Rod control lock

Panel lock

Toggle and hook

Handles

Door stop

Hinge

Seal gasket

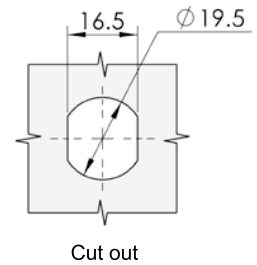
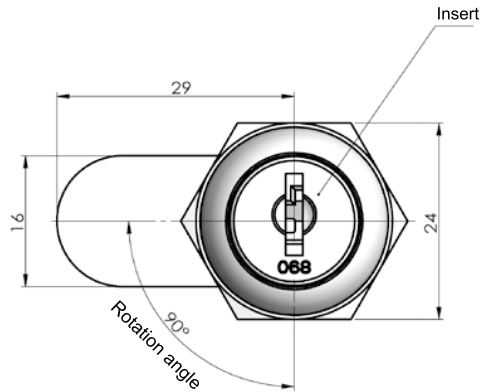
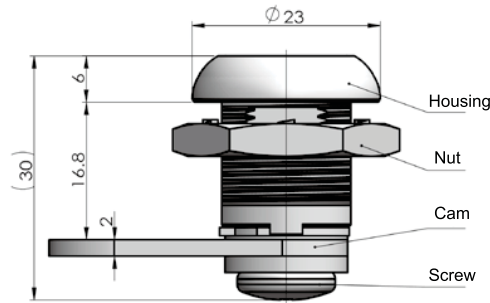
MS744-3



IP54

Main material and finish: ZDC housing, insert, white zinc plated steel cam
Application: Quarter-turn opening or closing
Remark: Default key K28-5

Performance parameter:
Maximum static load: 140N
Recommended nut tightening torque: 20N.m



ERP MS744Z3A280001

MS745-1

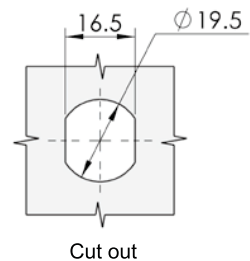
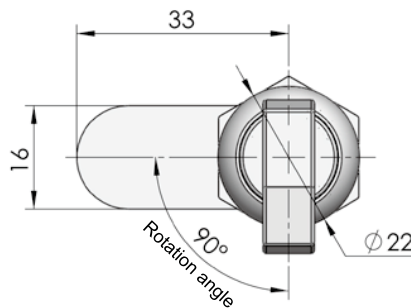
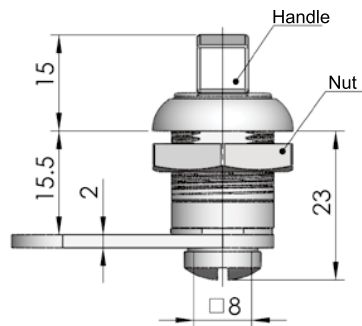


MS745-2

RL IP40

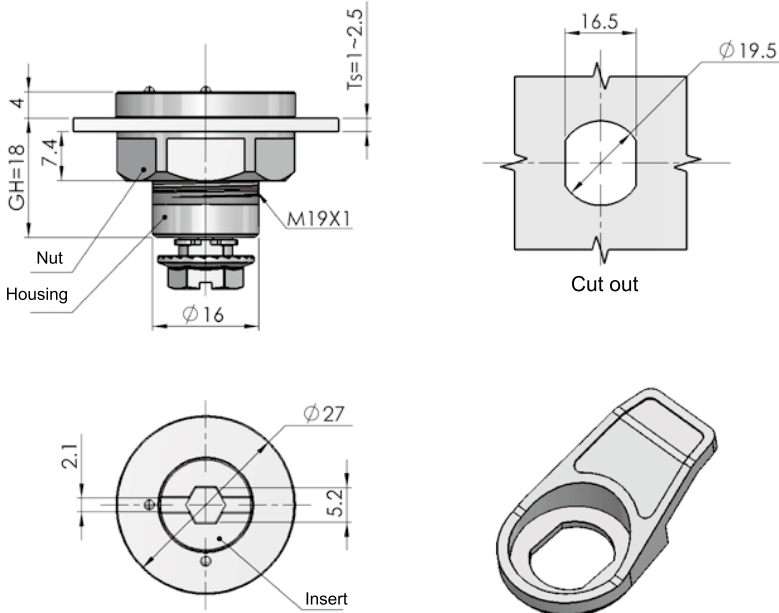
Main material and finish: Bright chrome-plated ZDC housing, white zinc-plated steel cam
Application: Quarter-turn opening or closing
Remark: Default key K080
Default cam : S1B33Y00005

Performance parameter:
Maximum static load: 160N
Recommended nut tightening torque: 20N.m
Maximum input torque: 40N.m(Rotation type)



Specification	Model	ERP
With insert	MS745-1	MS745Z3A080001
Knob	MS745-2	MS745Z3A000001

Remark : Default cam S1B3300



HP003Handle pull(optional)

	With insert	Without insert
ERP	MS745N00T10001	MS745N00T10002

MS745-4



IP54

Main material and finish: PA housing and nut, Wire-drawing polishing stainless steel insert, check ring, screw

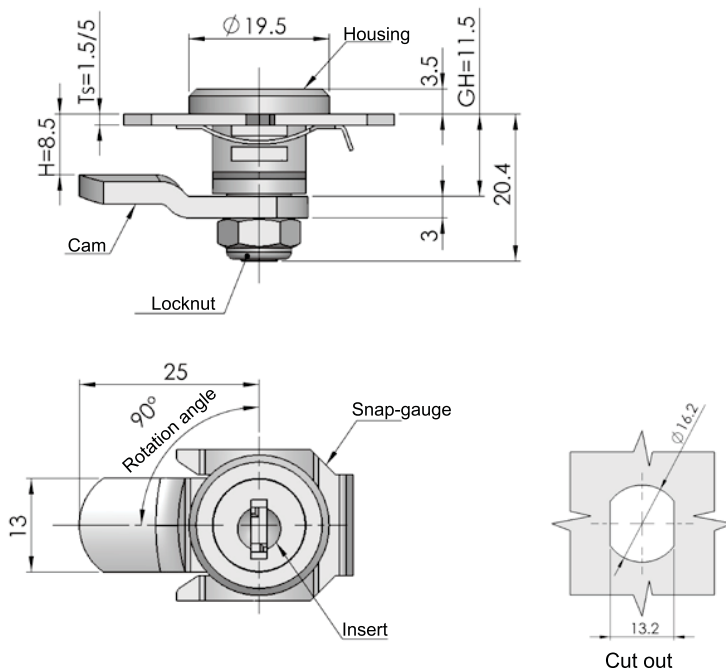
Application: Inner with positioning structure, 90° rotation, with damping.

Remark: Default key K170

Performance parameter:

Maximum static load : 100N

Recommended nut tightening torque: 20N.m



ERP	MS746Z1B400001
-----	----------------

MS746-2



Material and finish: Pocked black powder coated ZDC housing and insert, white zinc plated steel cam

Remark: Default key K40

Performance parameter:

Maximum static load: 140N

Recommended nut tightening torque: 20N.m

Accessories

Electronic lock

Handle lock

Cylinder lock

Plane lock

Rod control lock

Panel lock

Toggle and hook

Handles

Door stop

Hinge

Seal gasket

- Accessories
- Electronic lock
- Handle lock
- Cylinder lock
- Plane lock
- Rod control lock
- Panel lock
- Toggle and hook
- Handles
- Door stop
- Hinge
- Seal gasket

MS748

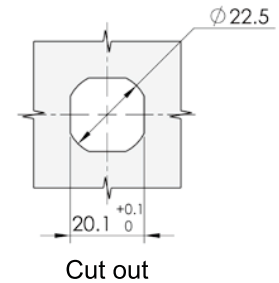
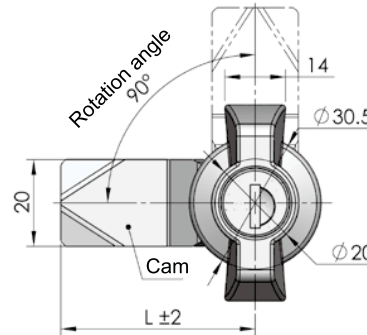
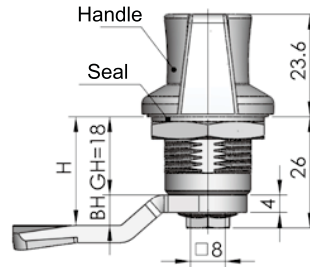


RL IP54

Main material and finish: Black powder-coated ZDC housing, handle and insert, white zinc plated steel cam
 Application: Quarter-turn opening or closing
 Remark: Default key K160

Default cam : S1B45Y07002

Performance parameter:
 Maximum static load: 270N
 Recommended nut tightening torque: 20N.m
 Maximum input torque: 30N.m



Black powder coated housing		Bright chrome-plated housing	
Model	ERP	Model	ERP
MS748-1	MS748Z1A040005	MS748-1	MS748Z3A160009
MS748-2	MS748Z1A160011	MS748-2	MS748Z3A160002

Remark : Default cam:S1B4500 (cut out 8x8)

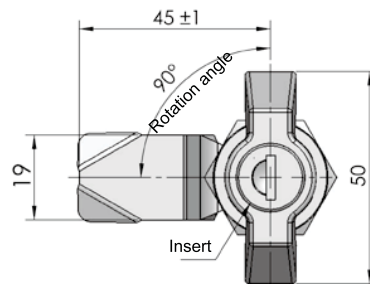
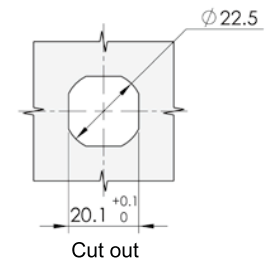
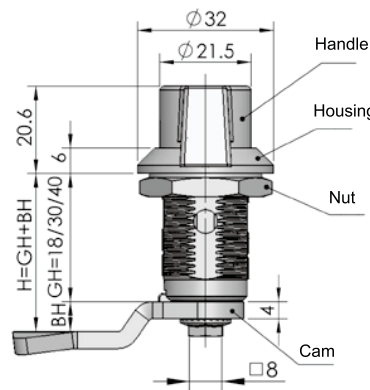
MS748-3/3A



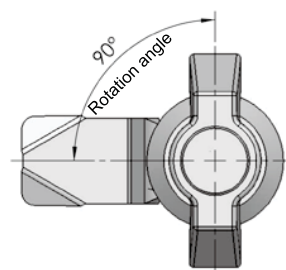
IP65

Main material and finish: Pocked black powder coated ZDC housing, PA handle, White zinc plated steel cam.
 Application: quarter-turn opening or closing
 Remark: Default key K190
 Default cam : S1B45Y07019(Default)

Performance parameter:
 Maximum static load: 270N
 Recommended nut tightening torque: 20N.m
 Maximum input torque: 30N.m



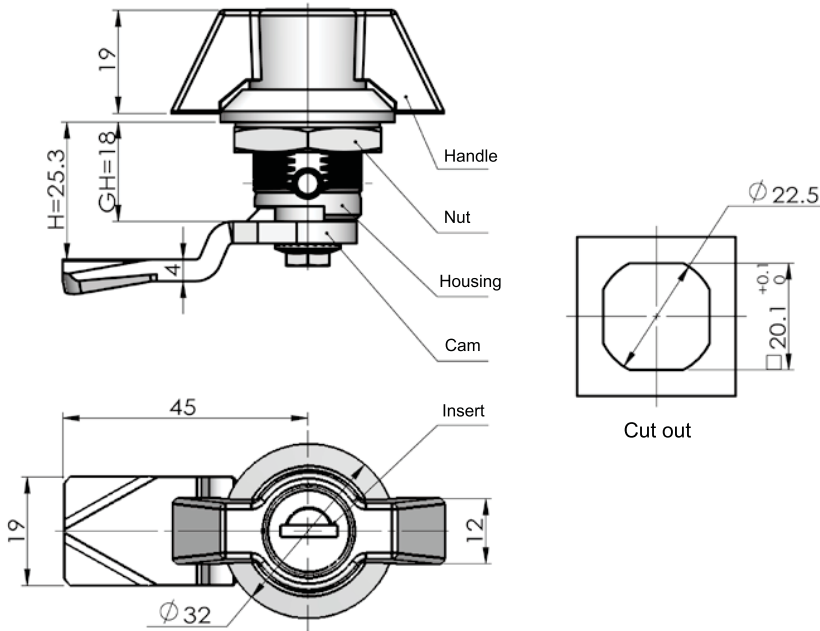
MS748-3



MS748-3A

	MS748-3	MS748-3A
ERP	MS748Z1B190002	MS748Z1B000006

Remark:Default cam DS1B4507 T=4 (Optional cam 8x8)



ERP MS748Z2C160001



MS748-3B

Main material and finish: Pocked black powder coated ZDC housing, insert, handle, stainless steel cam(Passivation +electrophoresis paint).

Application: Quarter-turn opening or closing

Remark: Default insert L1C0160,Key K16

Performance parameter:
 Maximum static load: 270N
 Recommended nut tightening torque: 20N.m
 Maximum input torque: 30N.m

Accessories

Electronic lock

Handle lock

Cylinder lock

Plane lock

Rod control lock

Panel lock

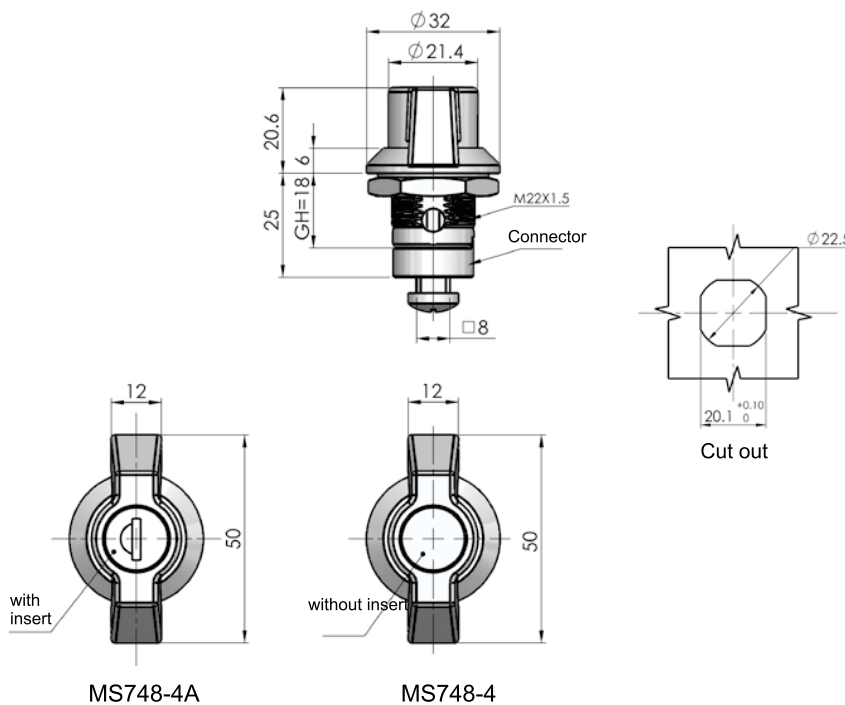
Toggle and hook

Handles

Door stop

Hinge

Seal gasket



MS748-4A MS748-4

ERP MS748Z2A000001



MS748-4

Main material and finish: Black painted ZDC housing,handle,white zinc plated nut.

Application: Without insert,quarter-turn opening or closing.Automatic return after release.

Remark: Default key K190

Performance parameter:
 Maximum static load: 270N
 Recommended nut tightening torque: 20N.m
 Maximum input torque: 30N.m



Accessories

Electronic lock

Handle lock

Cylinder lock

Plane lock

Rod control lock

Panel lock

Toggle and hook

Handles

Door stop

Hinge

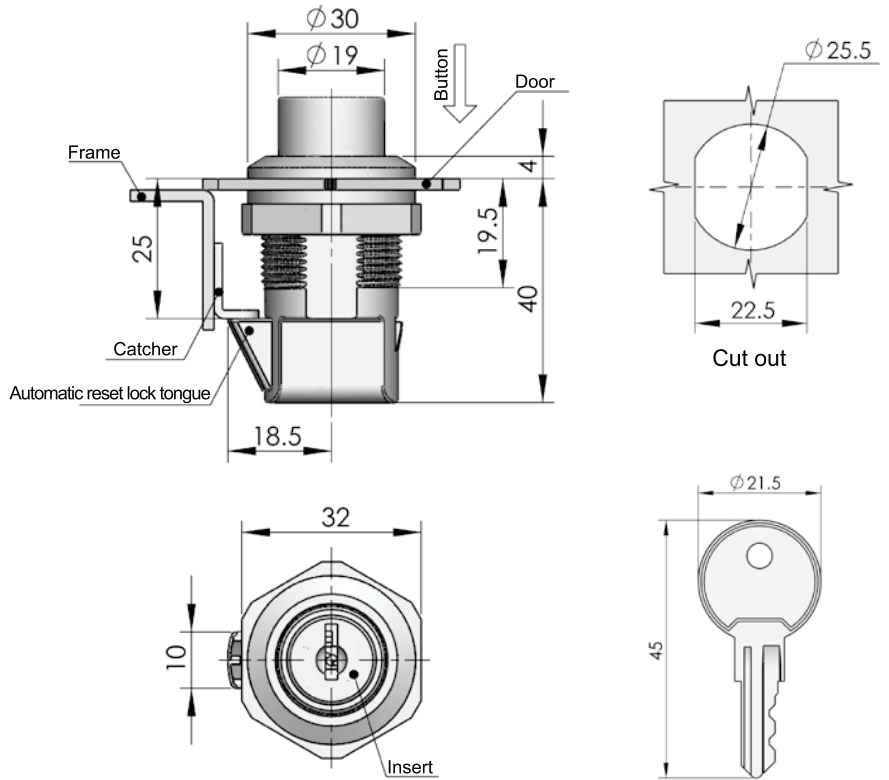
Seal gasket

MS753



Main material and finish: Black PC housing, insert, shaft pipe and lock tongue
 Application: Automatic locked push type
 Remark: Default key K160

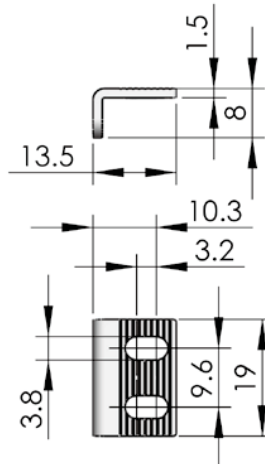
Performance parameter:
 Maximum static load: 240N



ERP

MS753N00160001

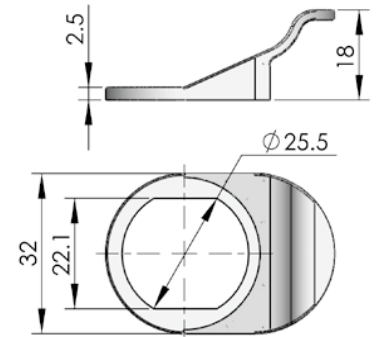
Catcher (Optional)



ERP

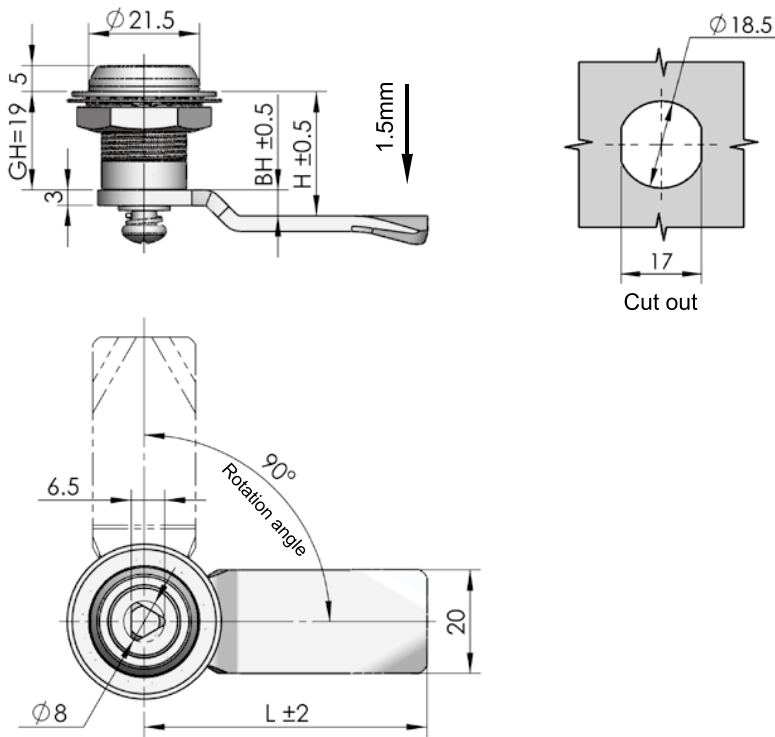
3658250001

Handle pull (Optional)



ERP

1150050002

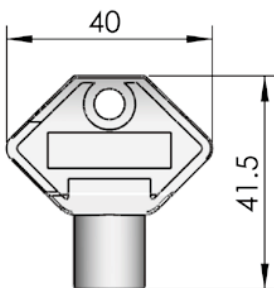


ERP

MS754Z3AT14001

Remark : Default cam S1B4502 (cut out 8x8)

Optional key



ERP

3290153005

MS754



Main material and finish: Bright chrome-plated ZDC housing, white zinc-plated ZDC insert and steel cam

Application: Automatic locked quarter-turn to open or close

Remark: Optional key K15-12F

Default cam : S1B45Y02005

Performance parameter:

Maximum static load: 270N

Recommended nut tightening torque: 20N.m

Maximum input torque: 10N.m

Accessories

Electronic lock

Handle lock

Cylinder lock

Plane lock

Rod control lock

Panel lock

Toggle and hook

Handles

Door stop

Hinge

Seal gasket

Accessories

Electronic lock

Handle lock

Cylinder lock

Plane lock

Rod control lock

Panel lock

Toggle and hook

Handles

Door stop

Hinge

Seal gasket

MS755



Main material and finish: Pocked black powder coated ZDC handle, housing, Color-zinc plated steel cam

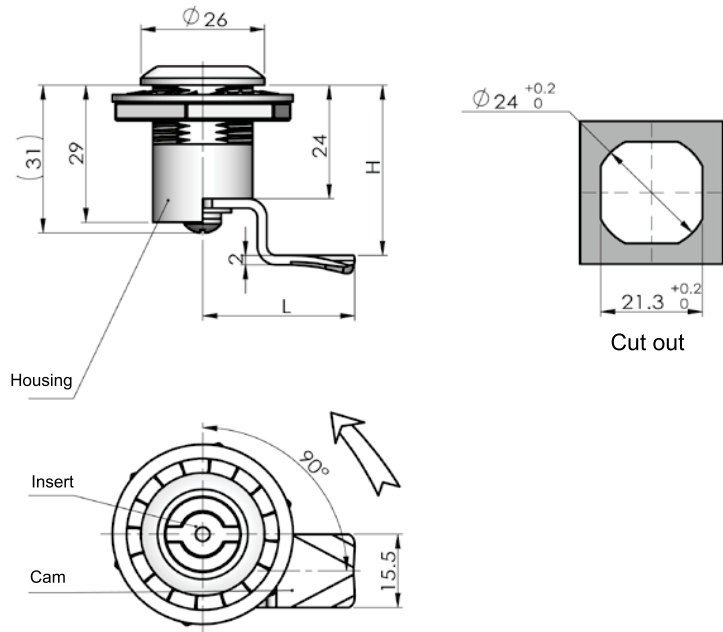
Application: Quarter-turn opening or closing

Performance parameter:

Maximum static load: 200N

Recommended nut tightening torque: 20N.m

Maximum input torque: 9N.m



Item	H	L	Cam ERP	ERP
2	36	32	S1A32Y12001	MS755Z1BT01001
1	43	34	S1A34Y19001	MS755Z1BT01004

MS756



RL IP54

Main material and finish: Bright chrome plated ZDC housing, insert and cam

Application: Insert rotated 270° to open.

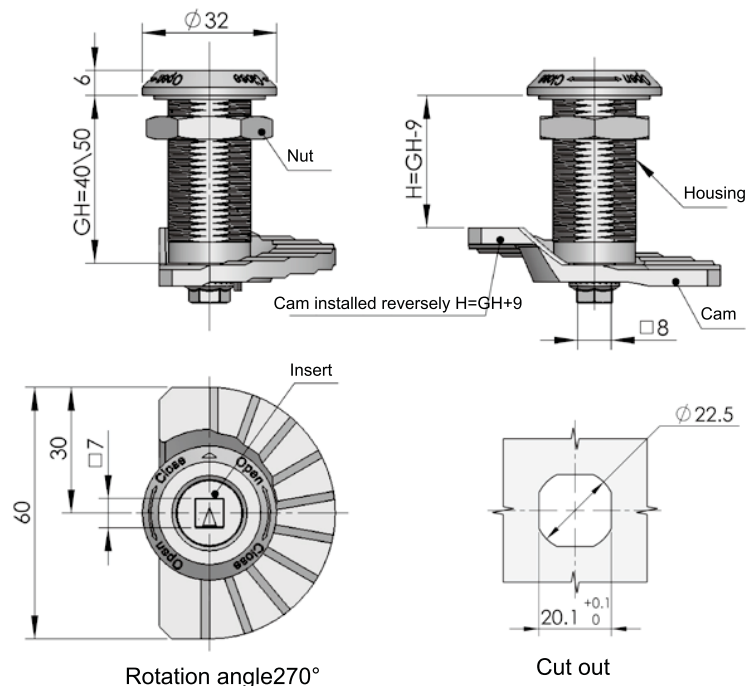
Remark: Optional key K15 series, Cam can be installed opposite.

Performance parameter:

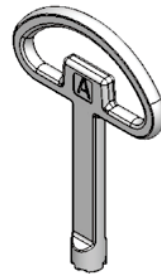
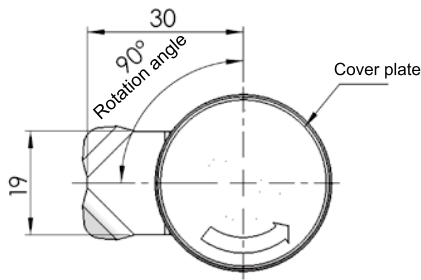
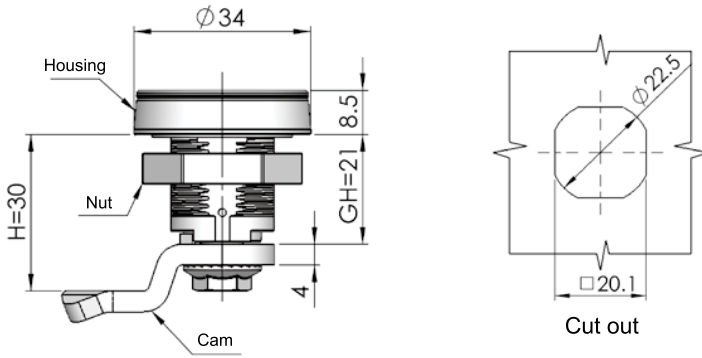
Maximum static load: 300N

Recommended nut tightening torque: 20N.m

Maximum input torque: 9N.m



Model	ERP
MS756-H40	MS756Z3AT06006
MS756-H50	MS756Z3AT06007



ERP MS758Z3AE04001

MS758



RL

Main material and finish: Bright chrome plated ZDC housing, cover plate, insert, nut and key Stainless steel marble, cam and screw.

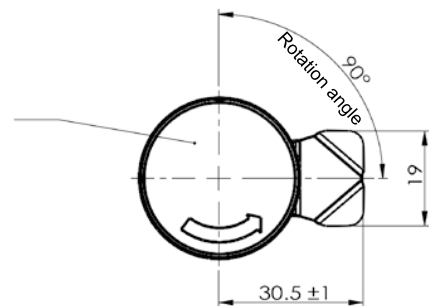
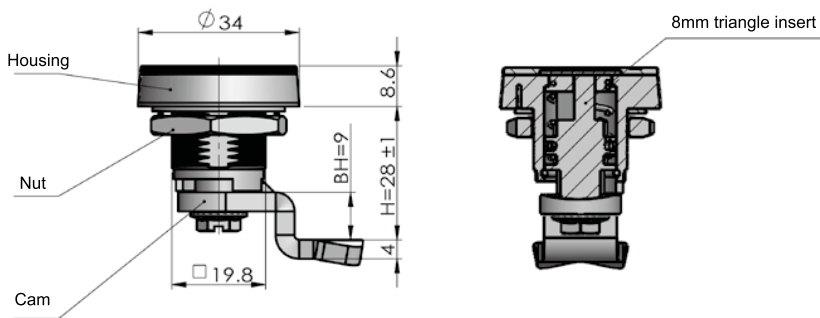
Remark: Three types key, A, B, C

Performance parameter:

Maximum static load: 270N

Recommended nut tightening torque: 20N.m

Maximum input torque: 9N.m



ERP MS758Z3AT04001

MS758-2



RL

Main material and finish: Bright chrome plated ZDC housing, insert, cover plate, Passivated stainless steel cam
Application: Quarter-turn opening or closing

Remark: 8mm triangle insert can fit tool type key

Performance parameter:

Maximum static load: 270N

Recommended nut tightening torque: 20N.m

Maximum input torque: 9N.m

Accessories

Electronic lock

Handle lock

Cylinder lock

Plane lock

Rod control lock

Panel lock


Toggle and hook

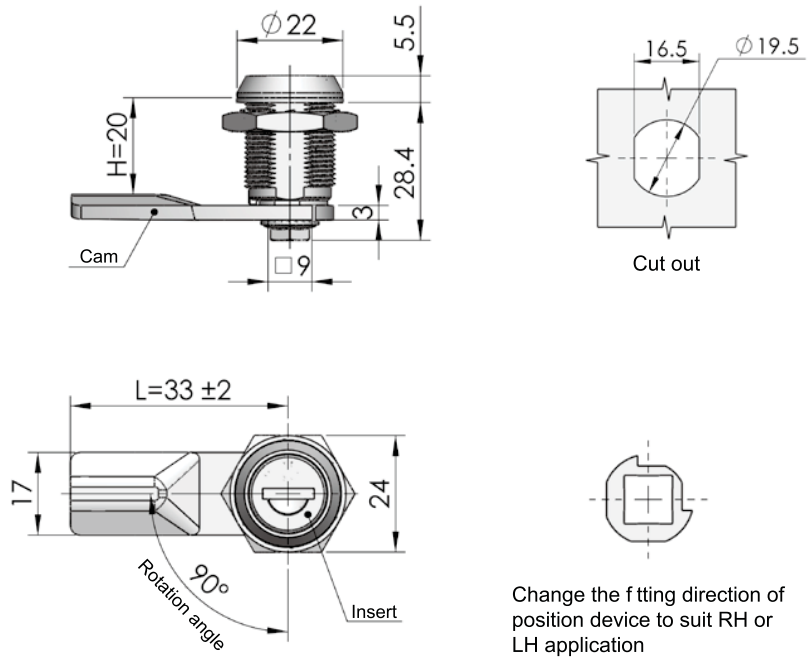
Handles

Door stop


Hinge

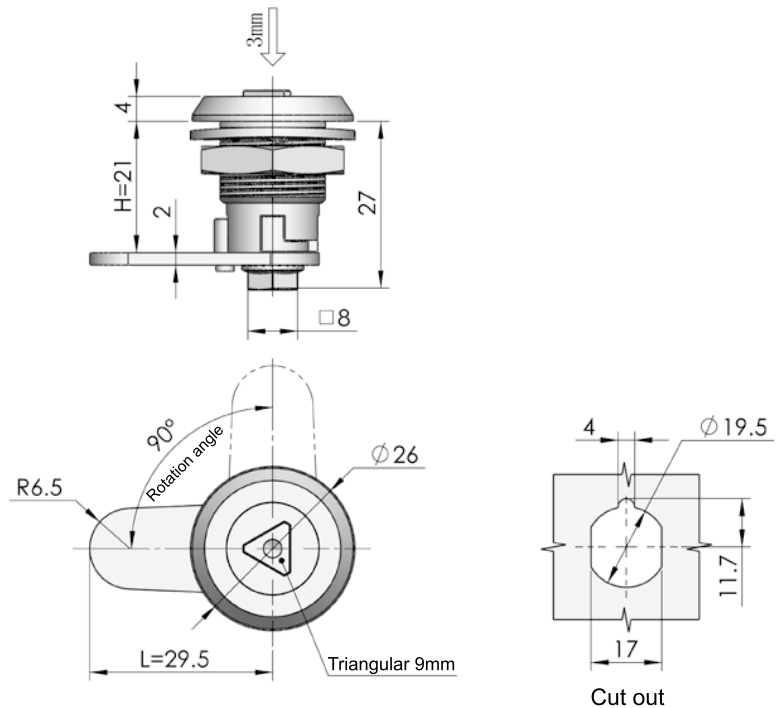
Seal gasket

Accessories	<p>MS760</p>  <p>RL IP54</p> <p>Main material and finish: Bright chrome-plated ZDC housing and insert, white zinc-plated steel cam Application: Quarter-turn opening or closing Remark: Default key K160</p> <p>Default cam : S1V33N02001</p> <p>Performance parameter: Maximum static load: 230N Recommended nut tightening torque: 20N.m</p>
Electronic lock	
Handle lock	
Cylinder lock	
Plane lock	
Rod control lock	<p>Default cam : S1V33N02001</p> <p>Performance parameter: Maximum static load: 230N Recommended nut tightening torque: 20N.m</p>

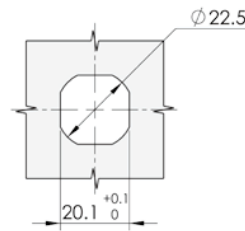
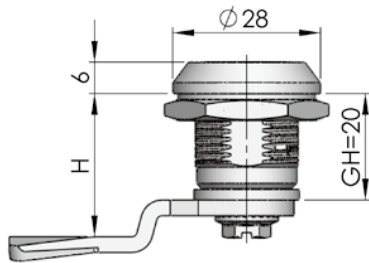


ERP MS760Z3A160001
 Remark : Default cam S1V33N02

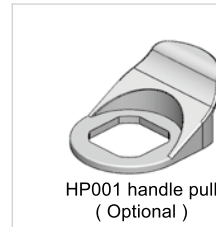
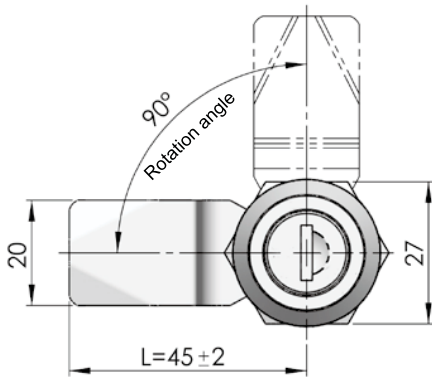
Panel lock	<p>MS761</p>  <p>RL</p> <p>Main material and finish : Bright chrome-plated ZDC housing and steel insert, white zinc-plated steel cam Application : Quarter-turn opening or closing, with function of locking Remark : Optional key K15-04A Default cam : S1B29Y00005</p> <p>Performance parameter: Maximum static load: 92N Recommended nut tightening torque: 20N.m Maximum input torque: 6N.m</p>
Toggle and hook	
Handles	
Door stop	
Hinge	
Seal gasket	<p>Performance parameter: Maximum static load: 92N Recommended nut tightening torque: 20N.m Maximum input torque: 6N.m</p>



ERP MS761Z3AT04001
 Remark: Default cam S1B2900



Cut out



HP001 handle pull (Optional)



WP002 water-proof cap (Optional)

ERP

MS762Z3A160002

Remark : Default cam S1B4507 (cut out 8x8)

MS762



RL

Main material and finish : Bright chrome-plated ZDC housing and insert, white zinc-plated steel cam

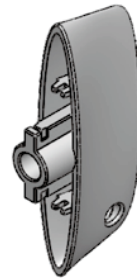
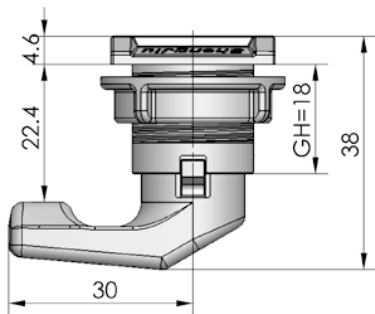
Application : Quarter-turn opening or closing

Remark : Default key K160

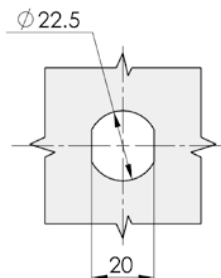
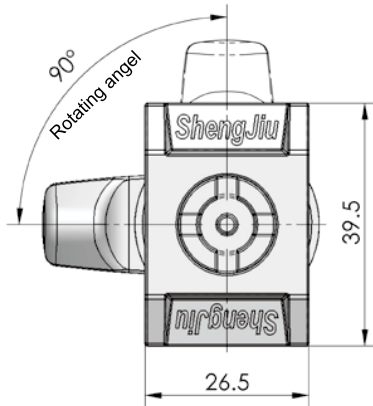
Default cam : S1B45Y07002

Performance parameter:

Maximum static load: 270N



K15-1E key (optional)



Cut out

ERP

MS769N00T01001

MS769-3



IP55

Material and finish: Plastic housing, insert and nut

Application: Quarter turn opening or closing

Performance parameter:

Maximum static load: 80N

Accessories

Electronic lock

Handle lock

Cylinder lock

Plane lock

Rod control lock

Panel lock

Toggle and hook

Handles

Door stop

Hinge

Seal gasket

- Accessories
- Electronic lock
- Handle lock
- Cylinder lock**
- Plane lock
- Rod control lock
- Panel lock
- Toggle and hook
- Handles
- Door stop
- Hinge
- Seal gasket



MS769-1



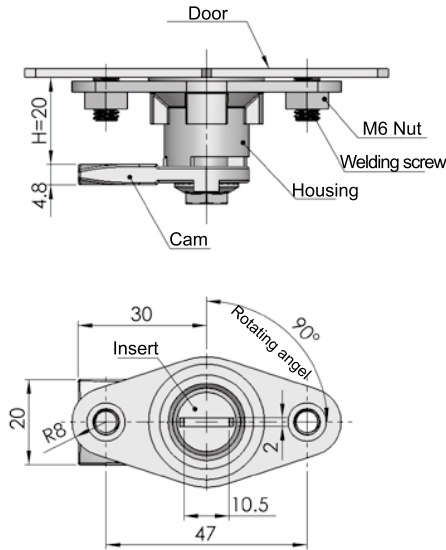
MS769-2

IP55

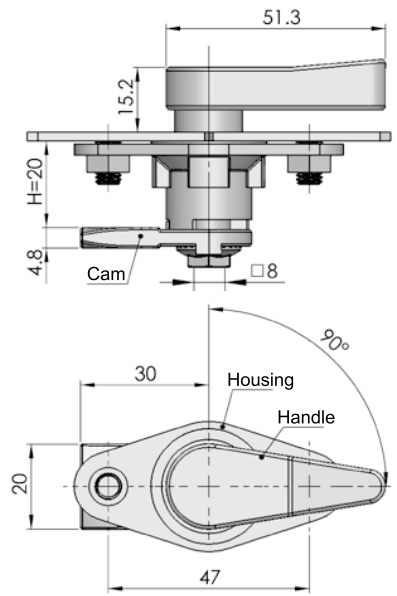
Material and finish: White zinc plated ZDC housing, cam and steel screw, stainless steel insert, ZDC plastic-covered handle

Default cam : S1B30Y00004

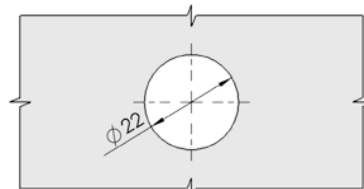
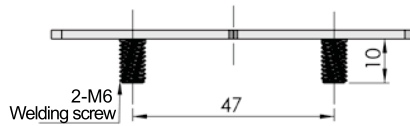
Performance parameter:
Maximum static load: 270N



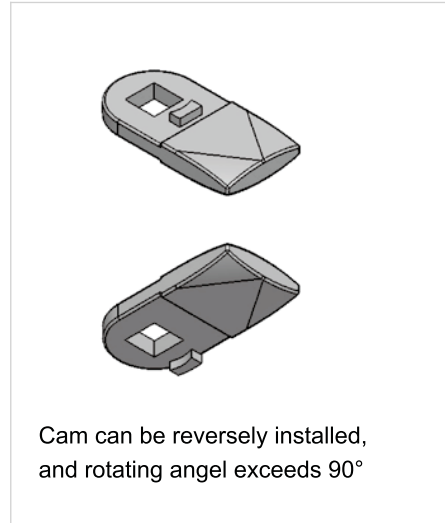
MS769-1



MS769-2

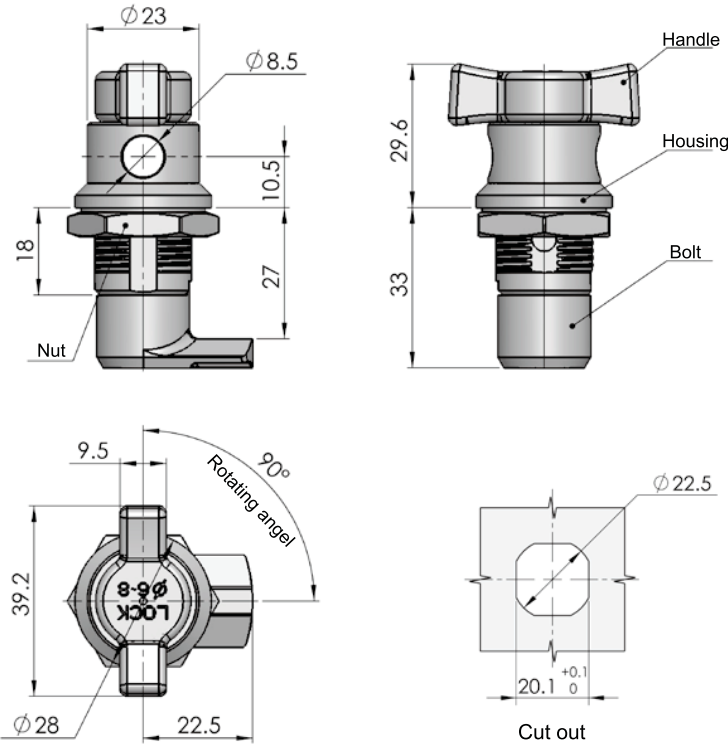


Cut out



	MS769-1	MS769-2
ERP	MS769Z3DT10001	MS769Z3D000001

Remrks: Default cam S1B3000



ERP MS772Z1D000001
 Remark: Default cam S1B4502 T=4 (cut out 8x8)

MS772



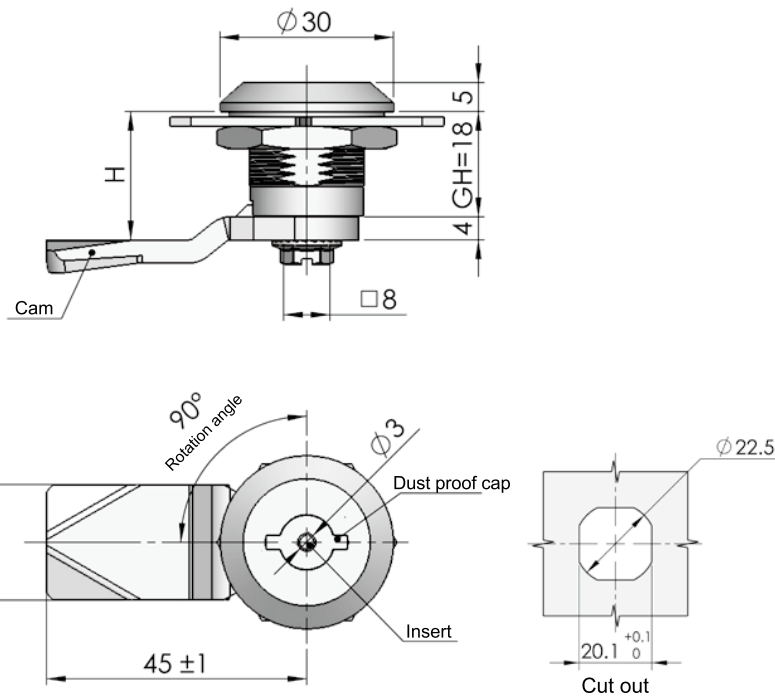
RL IP54

Main material and finish: Blue gray powder coated (RAL 7012) ZDC housing, PA handle, white zinc-plated steel cam
 Application: 90 degree quarter-turn opening or closing

Default cam : S1B45Y02015

Performance parameter:
 Maximum static load: 970N
 Recommended nut tightening torque: 20N.m

- Accessories
- Electronic lock
- Handle lock
- Cylinder lock**
- Plane lock
- Rod control lock
- Panel lock
- Toggle and hook
- Handles
- Door stop
- Hinge
- Seal gasket



ERP MS773Z2AT01001
 Remark : Default cam DS1B4504, T=4 (cut out 8x8)

MS773



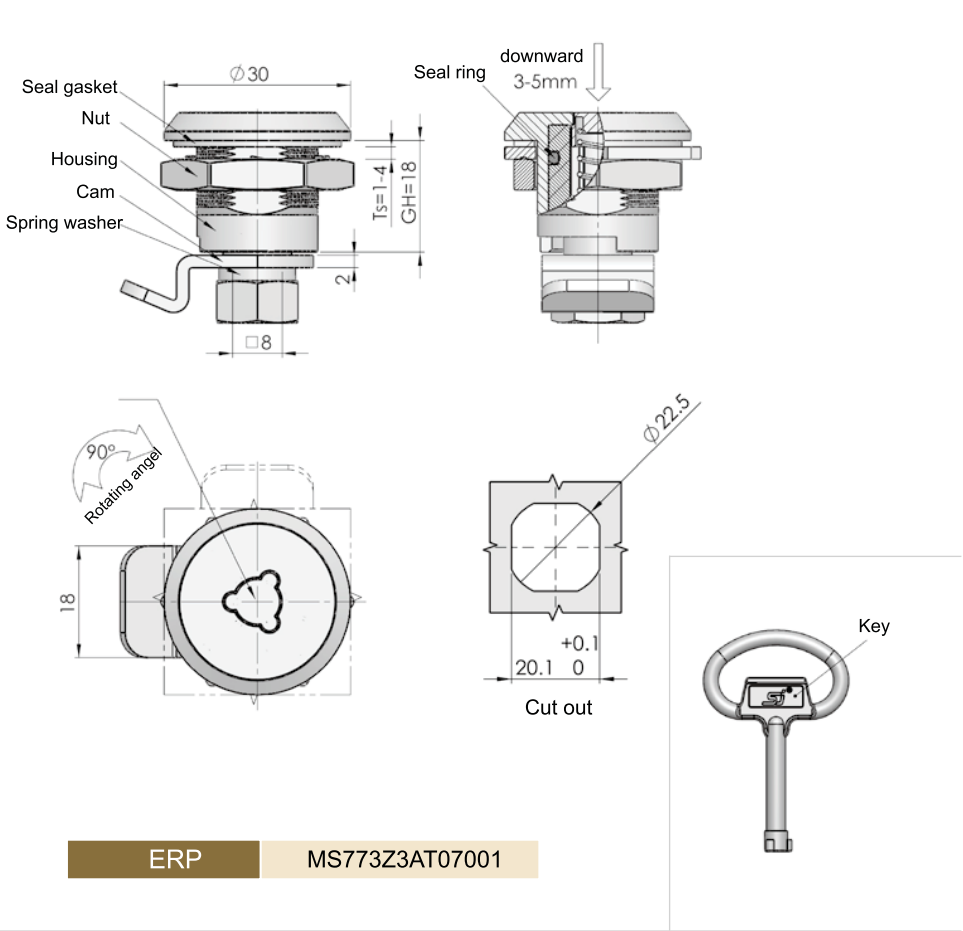
RL IP55


Main material and finish: Bright chrome plated ZDC housing, dust-proof cap and insert; white zinc plated ZDC nuts, white zinc plated steel cam and screw.
 Remark: Default key K15 double bit key

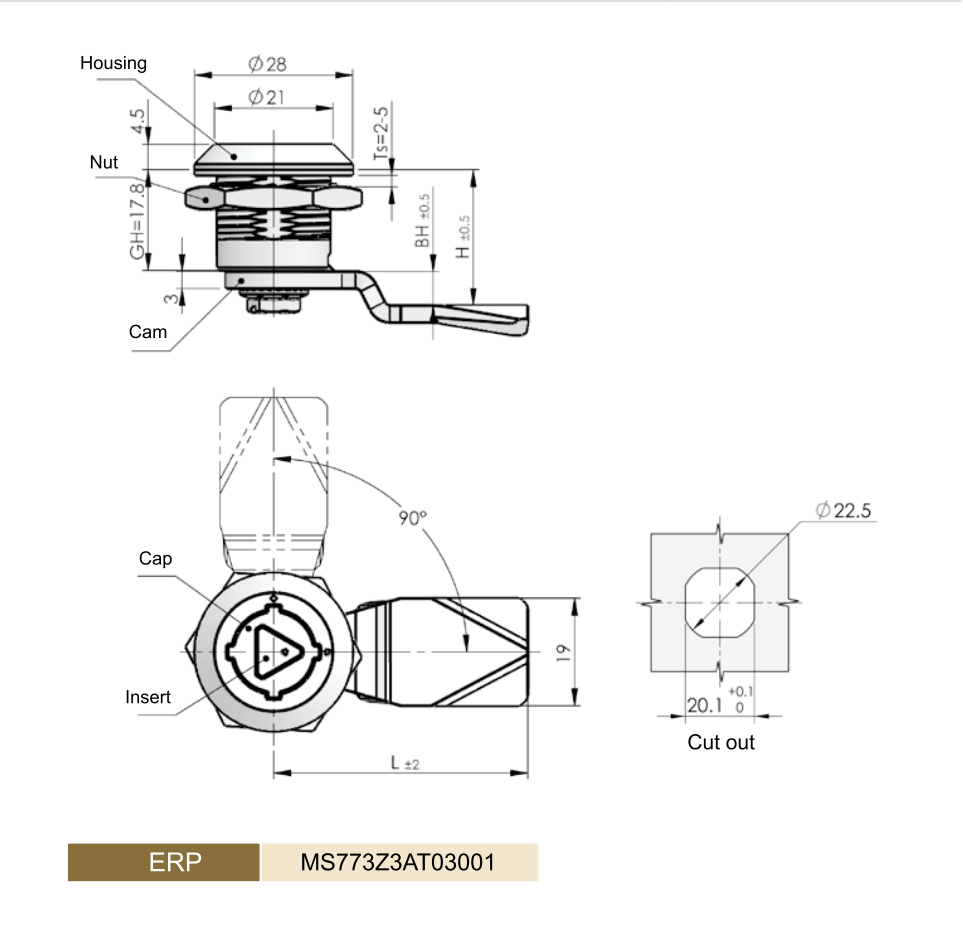
Default cam : S1B45Y04008

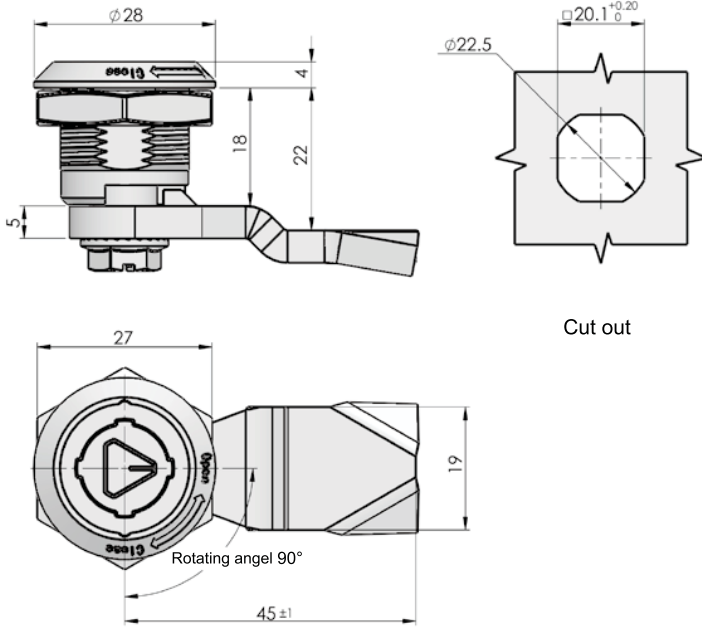
Performance parameter:
 Maximum static load: 270N
 Recommended nut tightening torque: 20N.m
 Maximum input torque: 9N.m

Accessories	 <p>MS773-3</p>
Electronic lock	
Handle lock	
Cylinder lock	
Plane lock	
Rod control lock	<p>IP55</p> <p>Main material and finish: Bright chrome plated ZDC housing cap and key; White zinc plated steel cam and insert.</p> <p>Application: Press cap, rotated insert to open or close.</p> <p>Performance parameter: Maximum static load: 200N Recommended nut tightening torque: 20N.m Maximum input torque: 9N.m</p>



Panel lock	 <p>MS773-4</p>
Toggle and hook	
Handles	
Door stop	
Hinge	
Seal gasket	<p>IP55</p> <p>Main material and finish: Bright chrome plated ZDC housing, insert and cap, white zinc plated ZDC nuts, White zinc plated steel cam.</p> <p>Application: Press cap, rotated insert 90° to open or close.</p> <p>Performance parameter: Maximum static load: 270N Recommended nut tightening torque: 20N.m Maximum input torque: 9N.m</p>





ERP

MS773Z3AT04002

MS773-5



Main material and finish: Bright chrome plated ZDC housing, white-zinc plated steel cam.

Application: Insert quarter-turn to open or close

Remark: Default key K15

Default cam: S1B45Y04027

Performance parameter:

Maximum static load: $\phi 270N$

Recommended nut tightening torque: 20N.m

Accessories

Electronic lock

Handle lock

Cylinder lock

Plane lock

Rod control lock

Panel lock

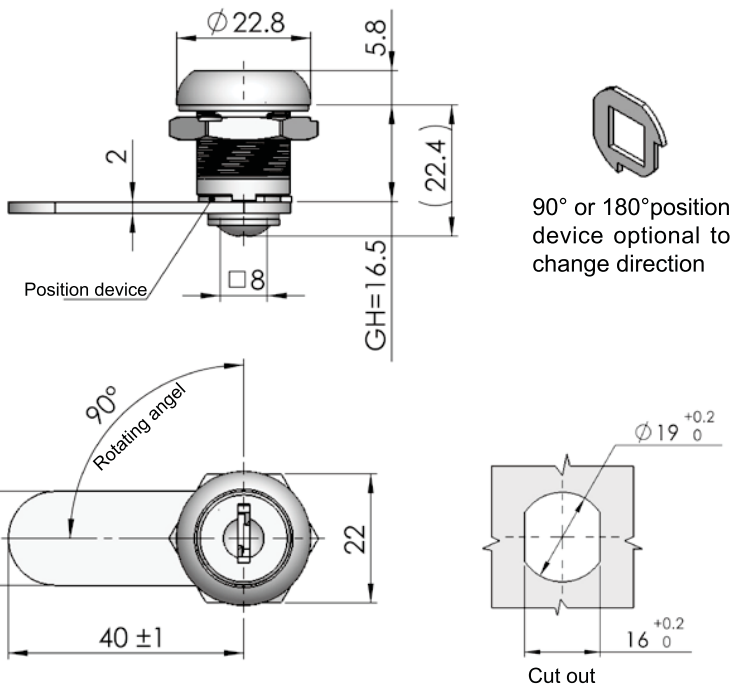
Toggle and hook

Handles

Door stop

Hinge

Seal gasket



ERP

MS775N00024001

Remark : Default cam S1B4000

MS775-2



RL IP55


Main material and finish: Plastic housing and inset; white zinc plated ZDC nut, steel cam and screw; mirror polished stainless steel housing cap and inset cap

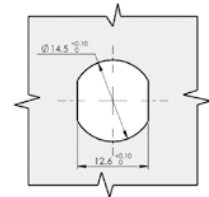
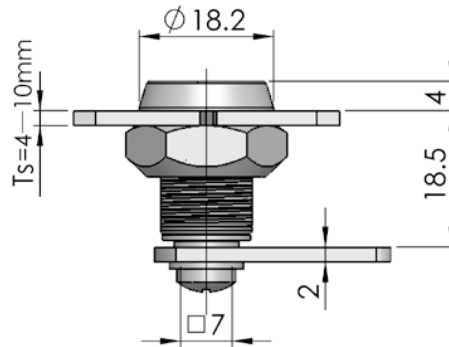
Remark: Default key K024

Default cam : S1B40Y00003

Performance Parameter:

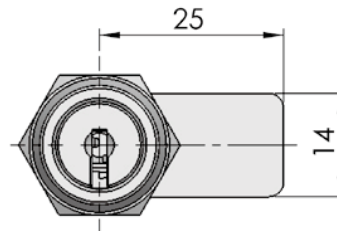
Maximum static load: 180N

Accessories	<p>MS779</p>  <p>RL</p> <p>Material and finish: Sand nickel plated ZDC housing and insert, white zinc plated steel nut, cam and screw. Remark: Default key K50</p> <p>Default cam : S1A25Y00001</p> <p>Performance parameter: Maximum static load: 180N</p>
Electronic lock	
Handle lock	
Cylinder lock	
Plane lock	
Rod control lock	<p>Default cam : S1A25Y00001</p> <p>Performance parameter: Maximum static load: 180N</p>



Cut out

Note: Only applies to wood, soft door plank.




Clockwise rotate 180°

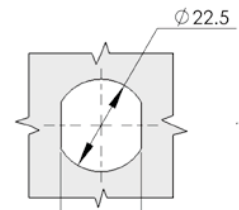
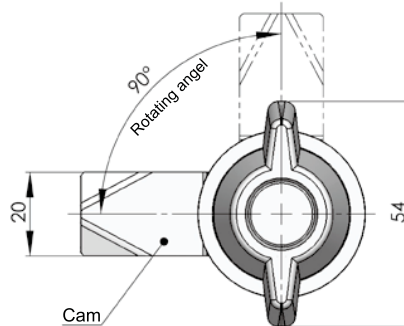
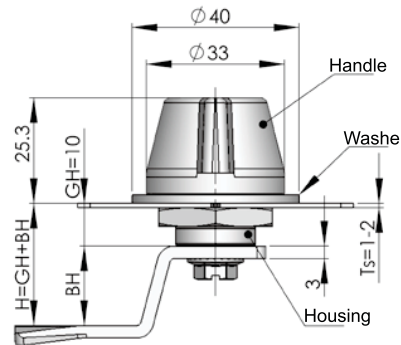
ERP MS779Z3G501001

Remark: default cam S1A2500

Default key K50



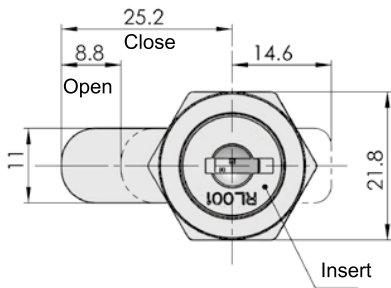
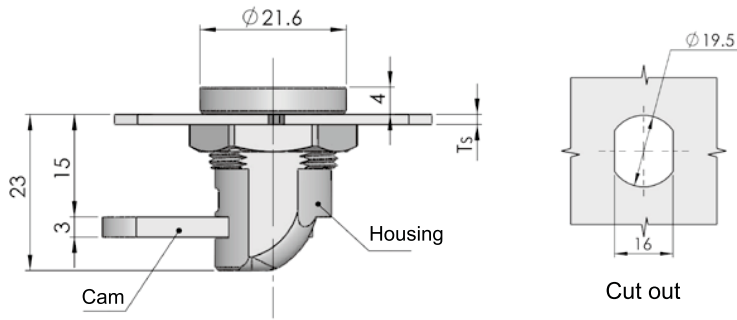
Panel lock	<p>MS784</p>  <p>RL</p> <p>Material and finish: White zinc plated ZDC housing and nut, white zinc plated steel cam, black plastic handle Application: Handle rotating 90° opening or closing Remark: S1H cam serials Default cam : S1H48Y19002</p> <p>Performance parameter: Maximum static load: 270N Recommended nut tightening torque: 20N.m Maximum input torque: 20N.m</p>
Toggle and hook	
Handles	
Door stop	
Hinge	
Seal gasket	<p>Performance parameter: Maximum static load: 270N Recommended nut tightening torque: 20N.m Maximum input torque: 20N.m</p>



Cut out

ERP MS784Z3D000002

Remarks: Default cam S1H4819



Optional key



ERP

MS786Z2A540002

MS786



Main material and finish: Black painted ZDC housing and insert, white zinc plated steel cam.

Application: Insert rotating 180° to drive the cam for opening and closing

Remark: Default key K540

Performance parameter:

Maximum static load: 220N

Accessories

Electronic lock

Handle lock

Cylinder lock

Plane lock

Rod control lock

Panel lock

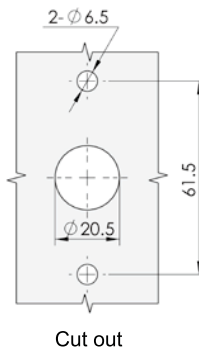
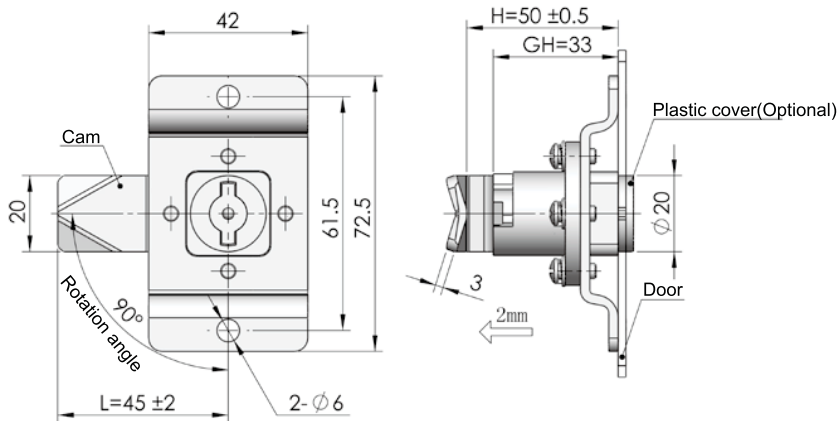
Toggle and hook

Handles

Door stop

Hinge

Seal gasket



MS801-2



Main material and finish: White zinc-plated steel lock body, ABS plastic cover

Application: Quarter-turn opening or closing

Remark: Optional key K15-1

Default cam: S1B45Y17002

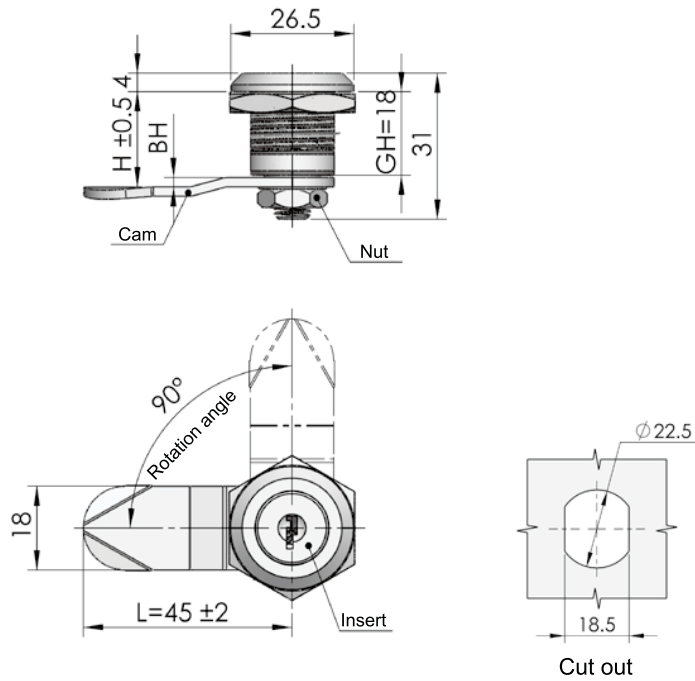
Performance parameter:

Maximum static load: 220N

ERP

MS801F3CT01003

Remark: Default cam DS1B4517 (cut out 8x8)



ERP MS802Z3A050017
 Remark : Default cam S1B4502 (cut out 8x8)

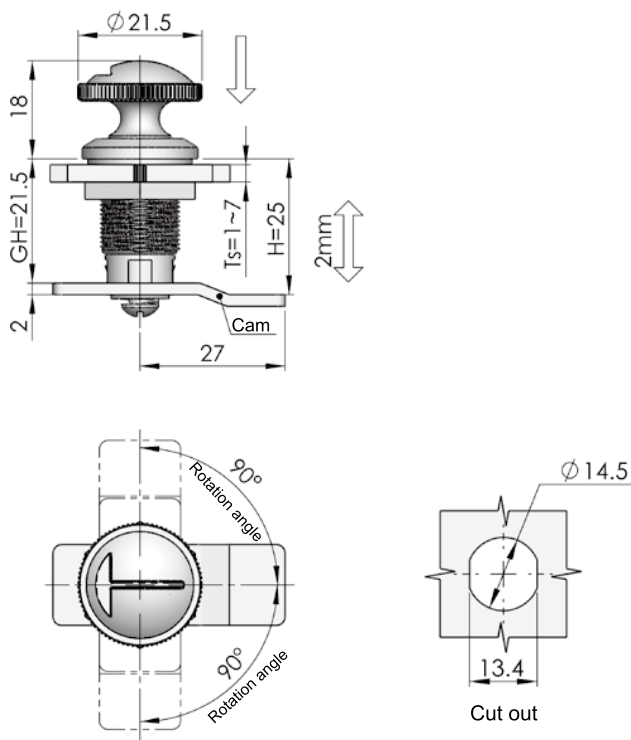
MS802



Main material and finish: Bright chrome-plated ZDC housing and insert, white zinc-plated steel cam
 Application: Quarter-turn opening or closing
 Remark: Default key K050

Default cam : S1B45Y02001 (Ts=2)

Performance parameter:
 Maximum static load: 100N
 Recommended nut tightening torque: 20N.m



ERP MS803Z3A000003
 Remark : Default cam S1K2702

MS803



Main material and finish : Bright chrome-plated ZDC housing and handle, white zinc-plated steel cam
 Application : Quarter-turn opening or closing, with function of locking automatically

Default cam : S1K27N05001

Performance parameter:
 Maximum static load: 91N
 Recommended nut tightening torque: 20N.m
 Maximum input torque: 4N.m

- Accessories
- Electronic lock
- Handle lock
- Cylinder lock
- Plane lock
- Rod control lock
- Panel lock
- Toggle and hook
- Handles
- Door stop
- Hinge
- Seal gasket



- Accessories
- Electronic lock
- Handle lock
- Cylinder lock**
- Plane lock
- Rod control lock
- Panel lock
- Toggle and hook
- Handles
- Door stop
- Hinge
- Seal gasket

MS804



Main material and finish: Bright chrome-plated ZDC housing and insert, white zinc-plated steel cam

Application: Quarter-turn opening or closing

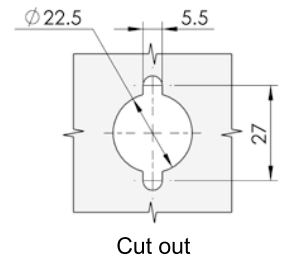
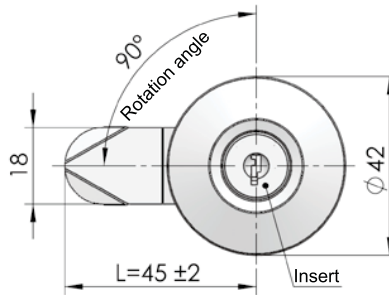
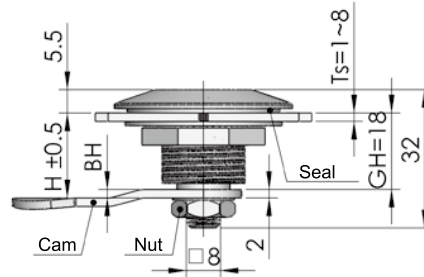
Remark: Default key K050

Default cam : S1B45Y02001 (Ts=2)

Performance parameter:

Maximum static load: 100N

Recommended nut tightening torque: 20N.m



ERP

MS804Z3A050008

Remark : Default cam S1B4502 (cut out 8x8)

MS805



RL

Main material and finish : Black powder coated ZDC housing and insert, white zinc-plated steel cam

Application : 180 degree rotation opening or closing

Remark : Default key K040

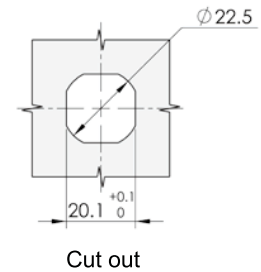
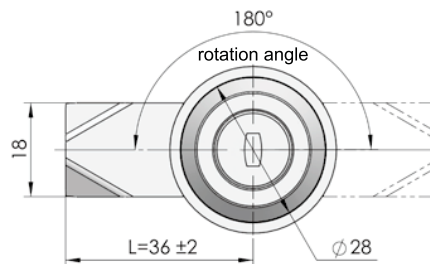
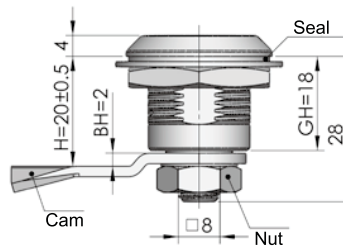
Default cam : S1B36Y02001

Performance parameter:

Maximum static load: 270N

Recommended nut tightening torque: 20N.m

Maximum input torque: 20N.m



ERP

MS805Z2A040005

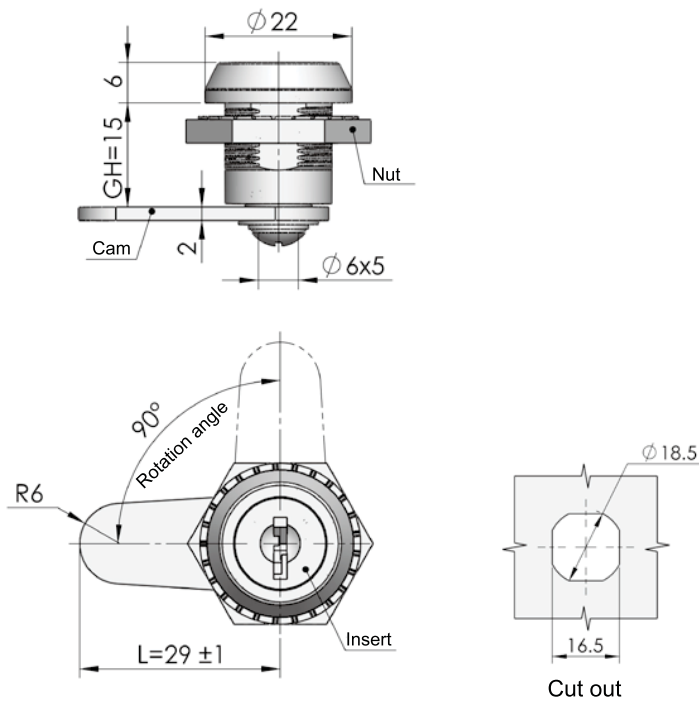
Remark : Default cam S1B3602, T=2 (Cut out 8x8)



HP001 Handle pull (Optional)



WP002 Water-proof cap (Optional)



ERP MS806Z3A220011
 Remark : Default cam S1G2900

MS806



Main material and finish: Bright chrome-plated ZDC housing, insert, white zinc-plated steel cam
 Application: Quarter-turn opening or closing
 Remark: Default key K220

Default cam : S1G29Y00001
 Performance parameter:
 Maximum static load: 120N
 Recommended nut tightening torque: 20N.m

Accessories

Electronic lock

Handle lock

Cylinder lock

Plane lock

Rod control lock

Panel lock

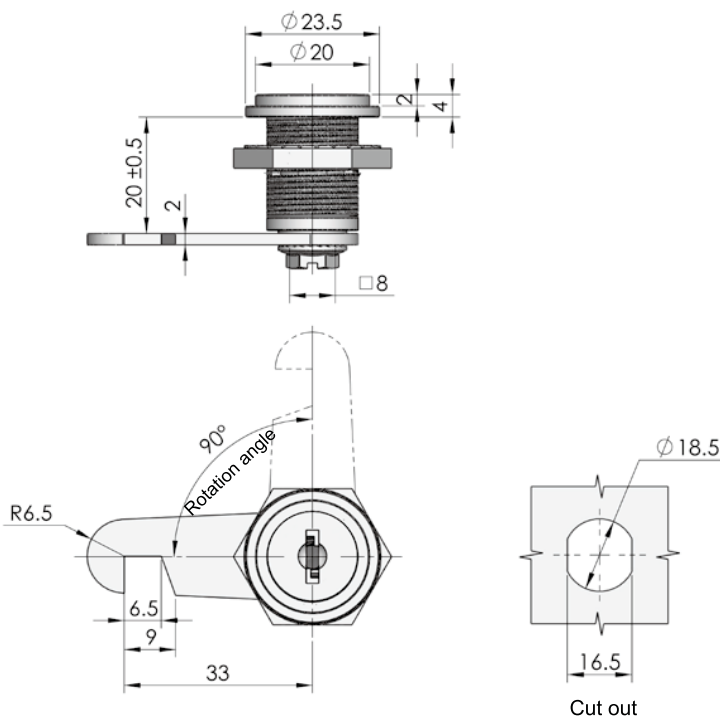
Toggle and hook

Handles

Door stop

Hinge

Seal gasket



ERP MS809Z3A230006
 Remark : Default cam S1B4000

MS809



RL

Main material and finish: Bright chrome-plated ZDC housing and insert, white zinc-plated steel cam
 Application: Quarter-turn opening or closing
 Remark: Default key K230

Default cam : S1B40Y00004
 Performance parameter:
 Maximum static load: 140N
 Recommended nut tightening torque: 20N.m

Accessories


Electronic lock

Handle lock

Cylinder lock

Plane lock

Rod control lock



MS811-1

MS811-2

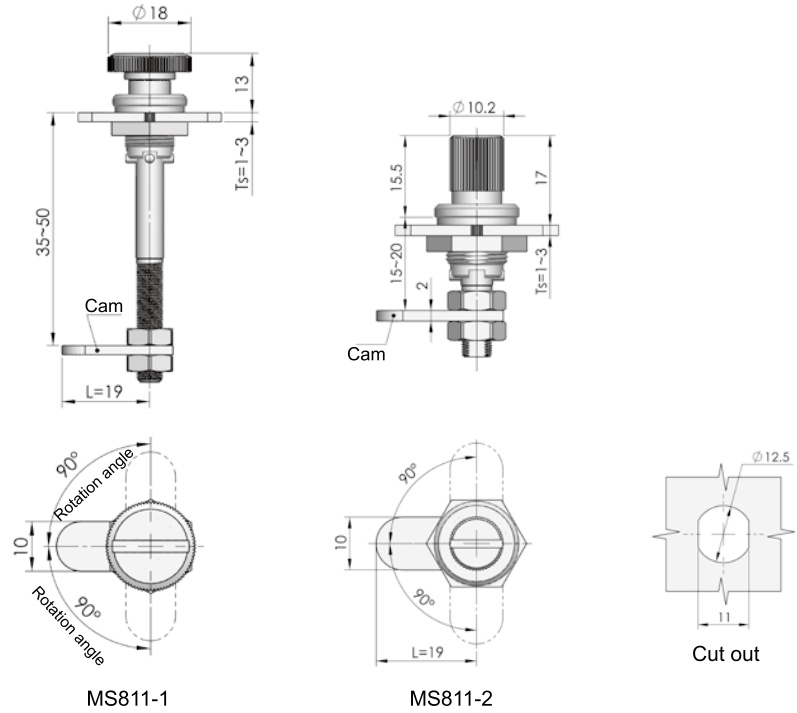
RL

Main material and finish : Bright chrome-plated steel housing and handle, white zinc-plated steel cam

Application : Quarter-turn opening or closing

Default cam : S1W19Y00002

Performance parameter:
Maximum static load: 140N



	MS811-1	MS811-2
ERP	MS811F3A000001	MS811F3A000002

Remark : Default cam S1W1900 (cut out Ø6x4.5)

Panel lock


Toggle and hook

Handles

Door stop

Hinge

Seal gasket



MS811-3

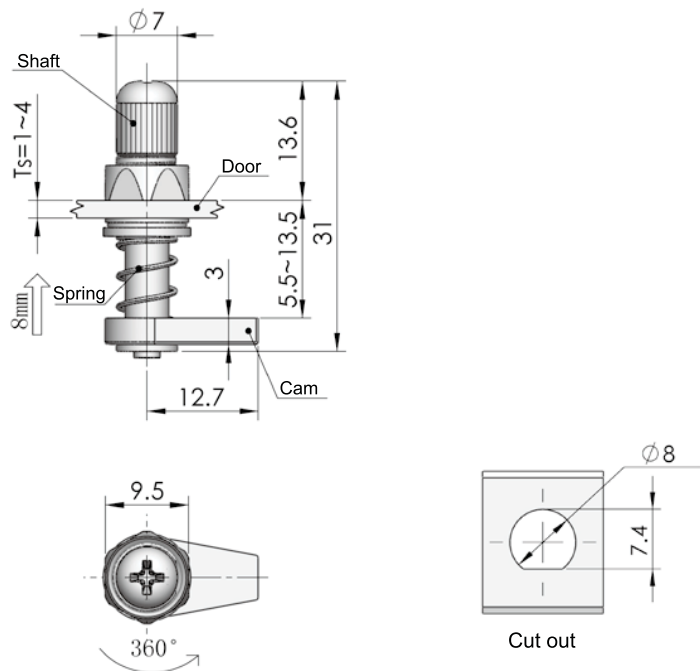
Tighten **R** **L**

Main material and finish : Trivalent zinc-plated steel housing, handle and cam

Application : Handle 360 degree rotation, with function of locking

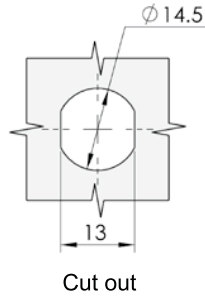
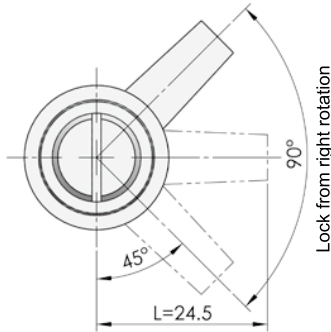
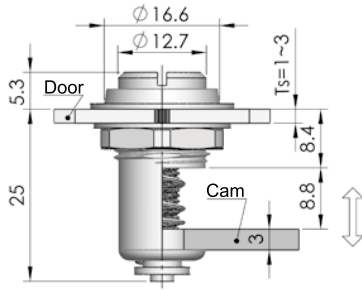
Default cam : S1S13Y00001

Performance parameter:
Maximum static load: 180N



	MS811-3-Z (Left)	MS811-3-Y (Right)
ERP	MS811F3D000001	MS811F3D000002

Remark : Default cam S1S1300



	MS811-4-Z (Left)	MS811-4-Y (Right)
ERP	MS811Z3D000008	MS811Z3D000001

Remark : Default cam S1S2500

MS811-4



Main material and finish : White zinc-plated ZDC housing, white zinc-plated steel cam and shaft
 Application : Quarter-turn opening or closing, with function of locking

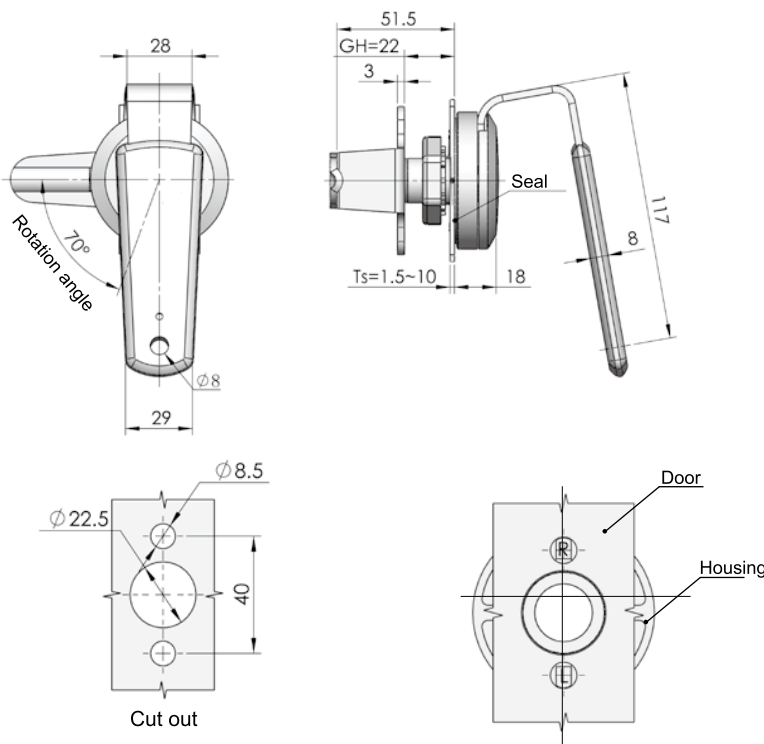
Default cam : S1S25Y00002

Performance parameter:

Maximum static load: 210N

Recommended nut tightening torque: 20N.m

Maximum input torque: 11N.m



ERP	MS812Z3A000006
-----	----------------

Remark : Default cam S3C8600 (cut out 10x10)

Remark :Housing rotate 180°for installing. the picture shows the product and panel after installing

MS812-1



Main material and finish : Bright chrome-plated ZDC housing and insert, white zinc-plated steel cam

Application : 70 degree rotation opening or closing

Remark : Key the same as MS812-2

Default cam : S3C86Y00002

Performance parameter:

Maximum static load: 110N

Recommended nut tightening torque: 20N.m

Maximum input torque: 11N.m

Accessories

Electronic lock

Handle lock

Cylinder lock

Plane lock

Rod control lock

Panel lock


Toggle and hook

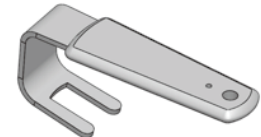
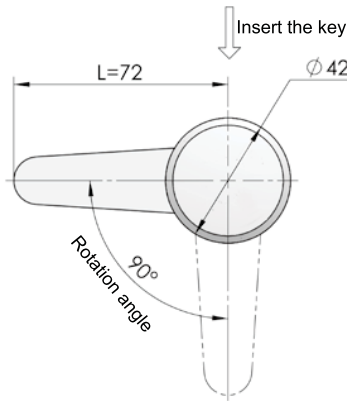
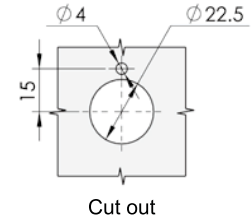
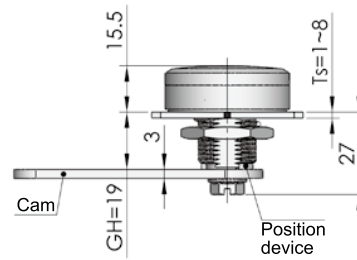
Handles

Door stop

Hinge

Seal gasket

Accessories	<p>MS812-2</p> 
Electronic lock	
Handle lock	
Cylinder lock	
Plane lock	
Rod control lock	<p>RL IP54</p> <p>Main material and finish: Bright chrome plated ZDC housing and cap, white zinc plated steel cam.</p> <p>Application: Quarter turn opening or closing</p> <p>Default cam : S1B72Y00001</p> <p>Performance parameter: Maximum static load: 240N</p>



Tool keys

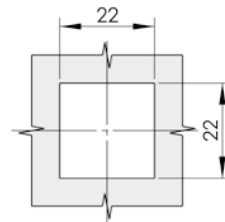
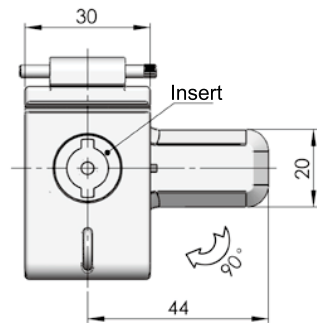
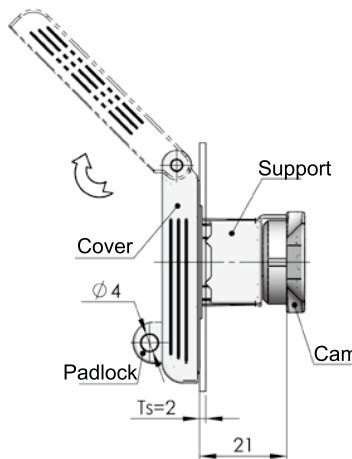


Remark: change direction device and cam to realize left or right opening

ERP MS812Z2B000003

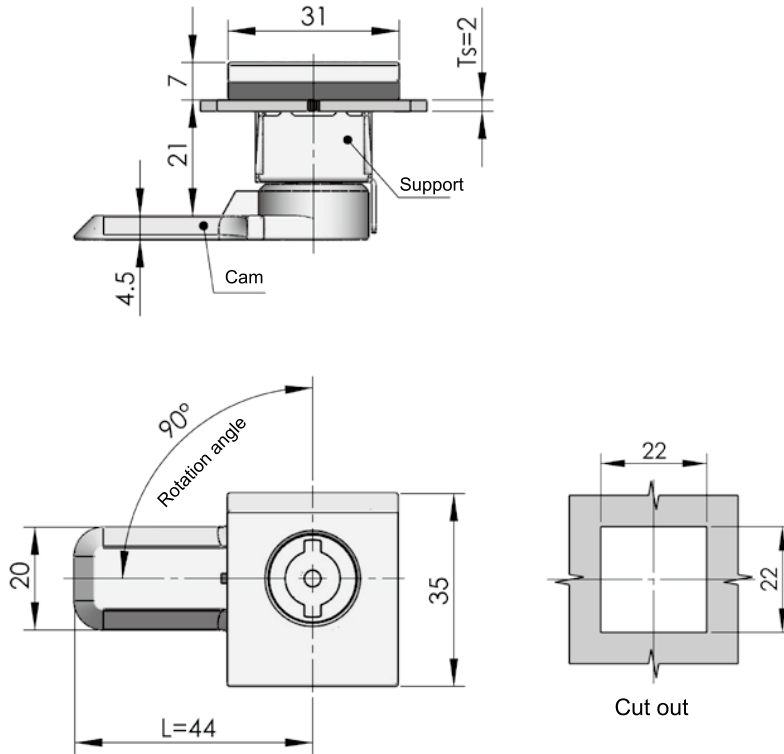
Remark : Default cam S1B7200 (cut out 8x8)

Panel lock	<p>MS813-4</p> 
Toggle and hook	
Handles	
Door stop	
Hinge	
Seal gasket	<p>RL IP54</p> <p>Main material and finish: Yellow gray powder coated ZDC housing, bright chrome plated insert, white zinc plated steel cam.</p> <p>Application: Quarter turn opening or closing</p> <p>Remark: Optional key K15-1</p> <p>Default cam : S1A44Y06001</p> <p>Performance parameter: Maximum static load: 580N</p>



ERP MS813Z1ET01006

Remark : Default cam S1A4406



MS813



MS813-B



RL **IP54**

Main material and finish : Yellow-gray ZDC housing, bright chrome-plated ZDC insert, white zinc-plated ZDC cam
 Application : Quarter-turn opening or closing

Remark : Optional key K15-1

Performance parameter:
 Maximum static load: 580N

Specification	Model	ERP
ZDC	MS813	MS813Z1ET01003
Full S.S.	MS813-B	MS813S4AT01002

Accessories

Electronic lock

Handle lock

Cylinder lock

Plane lock

Rod control lock

Panel lock


Toggle and hook

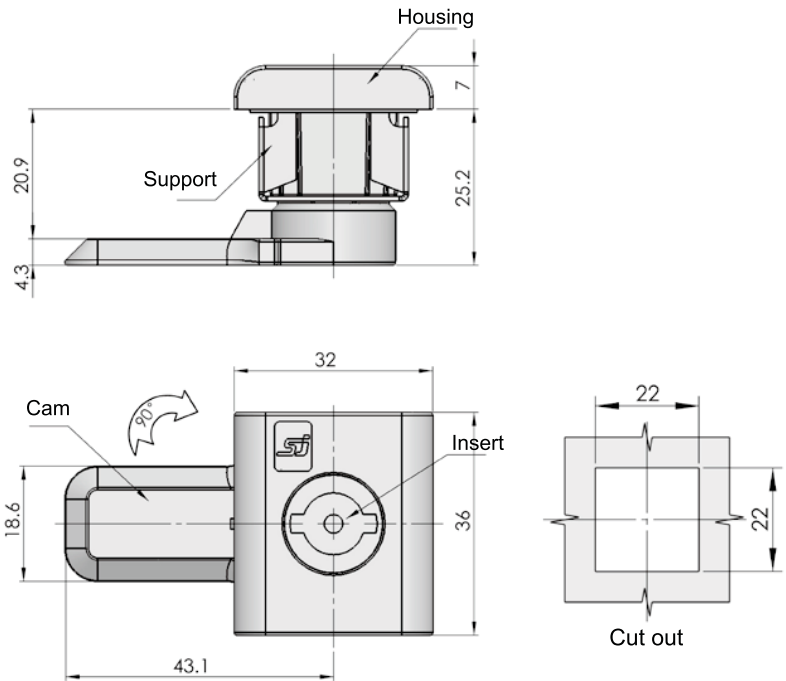
Handles

Door stop

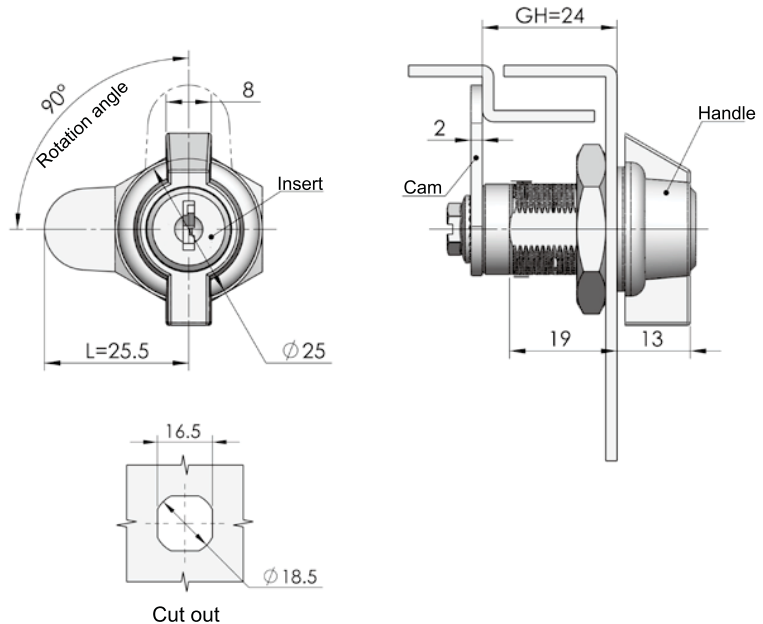
Hinge

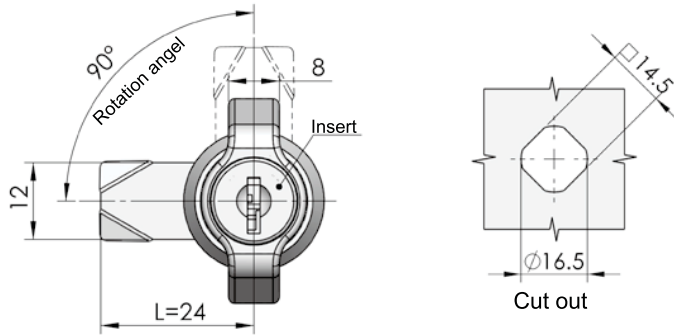
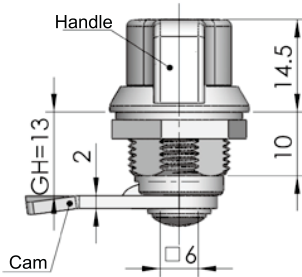
Seal gasket

Accessories	 <p>MS813-5B</p> <p>RL IP54</p> <p>Main material and finish: Mirror polishing stainless steel housing, insert, ZDC cam, screw and steel support Remark: Optional key K15 series</p> <p>Default cam : S1A44Y06001</p> <p>Performance parameter: Maximum static load: 580N</p>
Electronic lock	
Handle lock	
Cylinder lock	
Plane lock	
Rod control lock	<p>ERP MS813S4AT01001</p> <p>Remark : Default cam S1A4406</p>



Panel lock	 <p>MS815-1</p> <p>IP54</p> <p>Main material and finish: Black painted ZDC housing and handle, white zinc plated steel cam Application: Quarter turn opening or closing Remark: Default key K240</p> <p>Default cam : S1B26Y00001</p> <p>Performance parameter: Maximum static load: 100N Recommended nut tightening torque: 12N.m</p>
Toggle and hook	
Handles	
Door stop	
Hinge	
Seal gasket	<p>ERP MS815Z2A240001</p> <p>Remark : Default cam S1B2600 (cut out 8x8)</p>





ERP MS815Z2A170002

Remark : Default cam S1V2400

MS815-2



IP54

Main material and finish: Black painted ZDC housing and handle, white zinc plated steel cam

Application: Quarter turn opening or closing

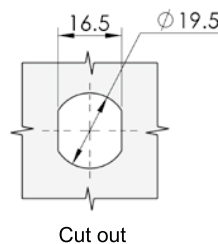
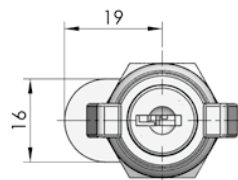
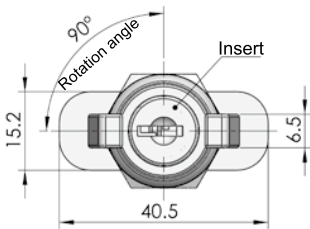
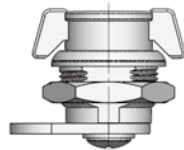
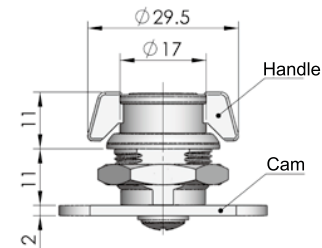
Remark: Default key K170

Default cam: S1V24Y00002

Performance parameter:

Maximum static load: 270N

Recommended nut tightening torque: 12N.m



MS815-3A(Model A)

MS815-3B(Model B)

MS815-3



Main material and finish: ZDC housing, insert and steel cam

Application: Quarter-turn opening or closing

Remark: Default key K170

Default cam : S1W20Y00001 (Model A)

S1W19Y00001 (Model B)

Performance parameter:

Maximum static load: 250N

Recommended nut tightening torque: 20N.m

Specification	Model	ERP	
		Painted (matt black) housing	Bright chrome-plated housing
Model A	MS815-3A	MS815Z1A170003	MS815Z3A170003
Model B	MS815-3B	MS815Z1A170004	MS815Z3A170004

Remark: Cam cut out Ø7*5.5

Accessories

Electronic lock

Handle lock

Cylinder lock

Plane lock

Rod control lock

Panel lock

Toggle and hook

Handles

Door stop

Hinge

Seal gasket

Accessories
Electronic lock
Handle lock
Cylinder lock
Plane lock
Rod control lock
Panel lock
Toggle and hook
Handles
Door stop
Hinge
Seal gasket

MS816-1



MS816-1A

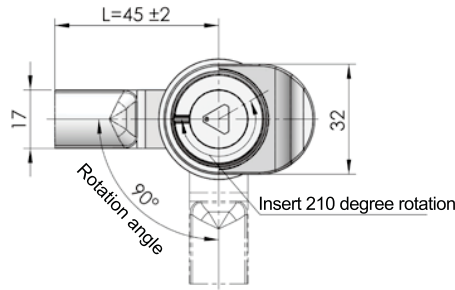
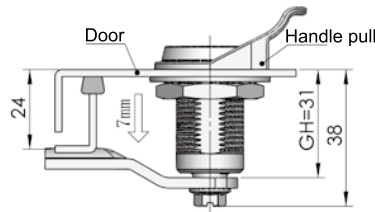


Main material and finish : Blue-gray powder coated ZDC housing and insert, white zinc-plated steel cam, PA handle pull
Application: Cam quarter-turn to open or close, with function of locking
Remark: Optional key K15 series

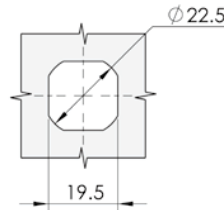
Default cam : S1B45N070016(Unadjustable)
S1M33Y00002(Adjustable Ts=5)

Performance parameter:
Maximum static load: 300N
Recommended nut tightening torque: 20N.m
Maximum input torque: 11N.m

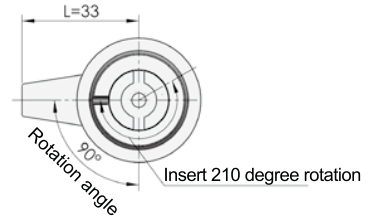
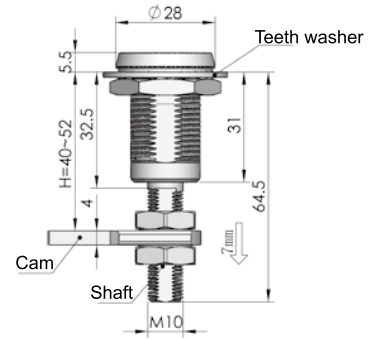
- | | | | |
|--|----------------------------|--|----------------|
| | Triangular 8mm | | Square 7mm |
| | Hooked 4mm | | Square 9mm |
| | Socket Hexagon Ffemale 8mm | | Slot |
| | Hexagon male 10mm | | Triangular 7mm |
| | Square 8mm | | Bellcore |
| | Tubular key | | Wing Head |



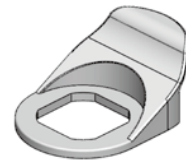
Unadjustable type



Cut out



Adjustable type



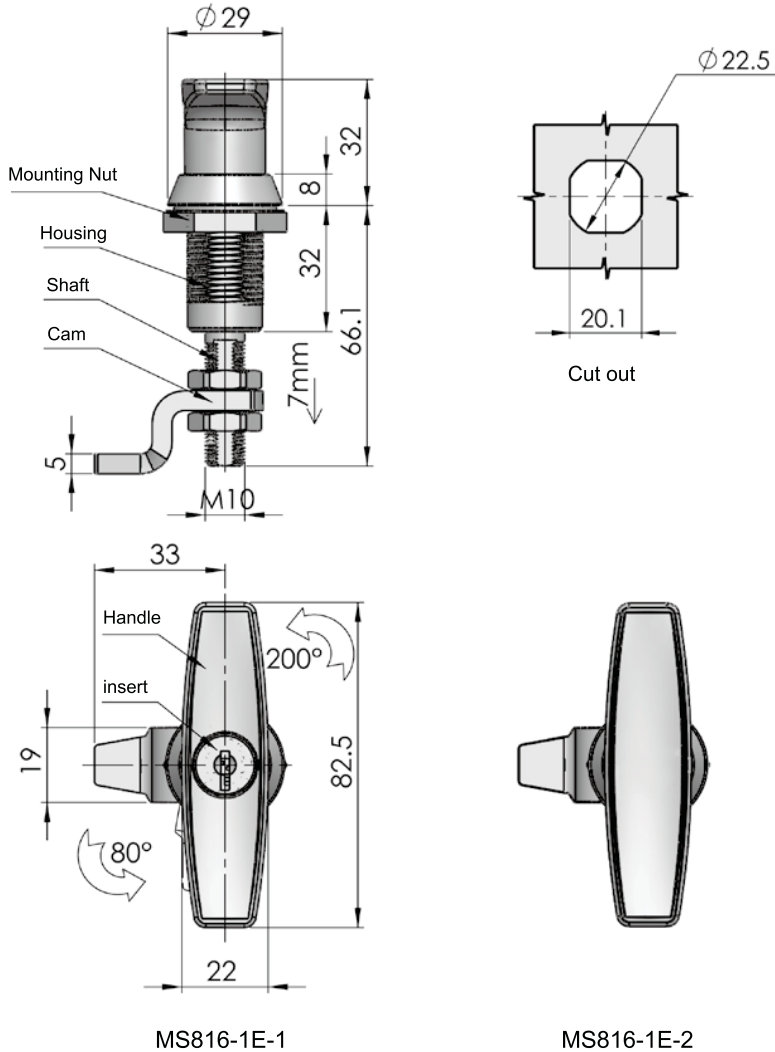
HP001 handle pull (Optional)



WP001 water-proof cap (Optional)

Remark : Inserts sketch refers to inserts list 2 on P058

Specification	Unadjustable type		Adjustable type	
	Model	ERP	Model	ERP
8mm Triangle	MS816-1-1	MS816Z1DT04009	MS816-1A-1	MS816Z1DT04015
S Hook	MS816-1-2	MS816Z1DT03007	MS816-1A-2	MS816Z1DT03010
8mm Socket hexagon	MS816-1-3	MS816Z1DT24004	MS816-1A-3	MS816Z1DT24005
10mm Hexagon	MS816-1-4	MS816Z1DT25001	MS816-1A-4	MS816Z2AT25001
8mm Square	MS816-1-5	MS816Z1DT07001	MS816-1A-5	MS816Z1DT07003
7mm Square	MS816-1-6	MS816Z1DT06001	MS816-1A-6	MS816Z1DT06003
9mm Square	MS816-1-8	MS816Z1DT26001	MS816-1A-8	MS816Z1DT26003
Slot	MS816-1-9	MS816Z1DT10001	MS816-1A-9	MS816Z1DT10003
7mm Triangle	MS816-1-10	MS816Z1DT14002	MS816-1A-10	MS816Z1DT14003
Abnormal	MS816-1-12	MS816Z1DT21001	MS816-1A-12	MS816Z1DT21004



MS816-1E-1

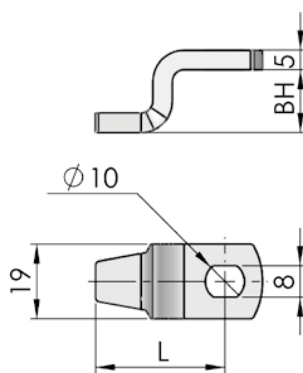
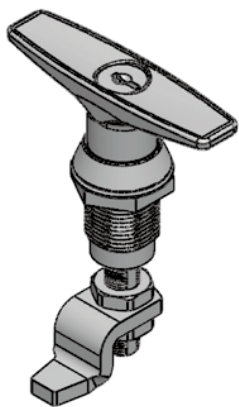


IP 65

Main material and finish : Black pocked coated ZDC housing,handle,insert,zinc-plated steel cam;
 Operation: 200°turn to open or close.
 120° turn of wing knob causes shaft to pull of approximate 7mm, Then 80°turn causes cam to rotate to achieve lock opening.
 Locking status as picture shows
 Remark: Optional key K16

Performance parameter:

Maximum static load: 300N
 Recommended nut tightening torque: 20N.m



K16Key

Model	Specif cation
MS816-1E-1	with insert
MS816-1E-2	without insert

- Accessories
- Electronic lock
- Handle lock
- Cylinder lock**
- Plane lock
- Rod control lock
- Panel lock
- Toggle and hook
- Handles
- Door stop
- Hinge
- Seal gasket

Accessories

Electronic lock

Handle lock

Cylinder lock

Plane lock

Rod control lock

Panel lock

Toggle and hook

Handles

Door stop

Hinge

Seal gasket

MS816-2



Main material and finish : Blue-gray powder coated ZDC housing and insert, white zinc-plated steel cam, PA handle pull
Application: Cam quarter-turn to open or close, with function of locking
Remark: Optional key K15 series

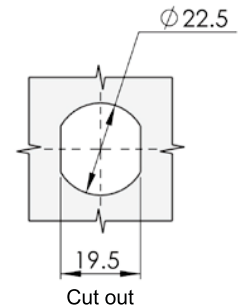
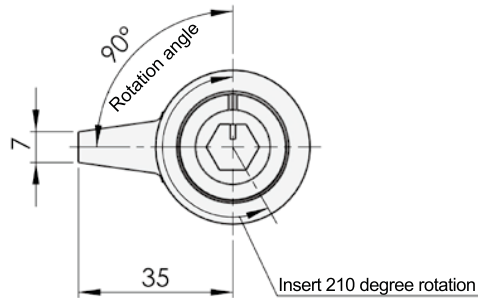
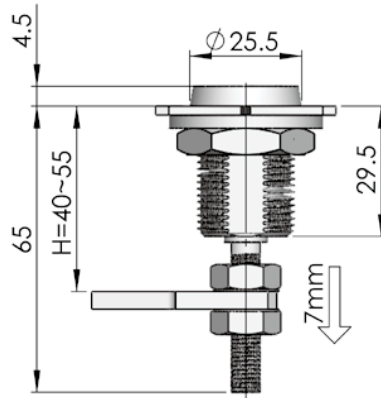
Default cam : S1K35Y00002 (Ts=4)

Performance parameter:

Maximum static load: 360N

Recommended nut tightening torque: 20N.m

Maximum input torque: 11N.m



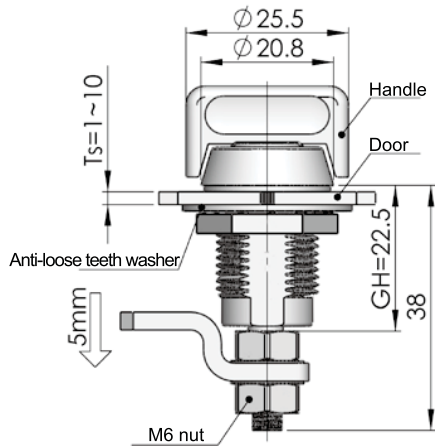
WP001 water-proof cap (Optional)

- Triangular 8mm
- Square 7mm
- Hooked 4mm
- Square 9mm
- Socket Hexagon Ffemale 8mm
- Slot
- Hexagon male 10mm
- Triangular 7mm
- Square 8mm

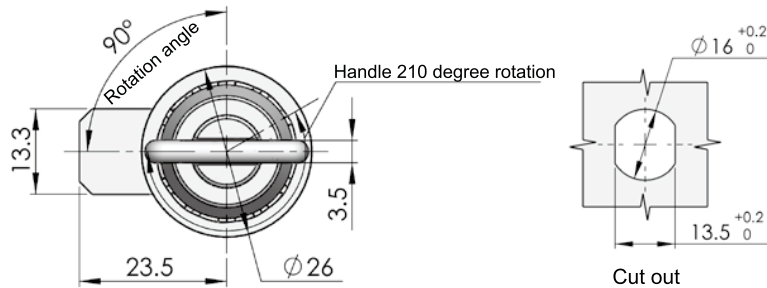
Remark : Inserts sketch refers to inserts list 2 on P058

ERP	Model	Insert	Optional key
MS816Z1DT25004	MS816-2-1	10mm Hexagon	K15-9 K15-9F
MS816Z1DT04004	MS816-2-2	8mm Triangle	K15-3 K15-3F
MS816Z1DT07004	MS816-2-3	8mm Square	K15-4 K15-4F
MS816Z1DT06004	MS816-2-4	7mm Square	K15-6 K15-6F
MS816Z1DT26004	MS816-2-5	9mm Square	
MS816Z1DT14004	MS816-2-6	7mm Triangle	K15-3 K15-3F

Remark : Default cam S1K3500 (cut out Ø8x6.5)



WP004(Optional)



MS816-3S-1



MS816-3S-2



Main material and finish: Black painted ZDC housing, insert and handle, white zinc-plated steel cam, PA water-proof cap
 Application: Cam Quarter-turn to open or close, with function of locking

Default cam : S1G23N08005

Performance parameter:
 Maximum static load: 360N
 Recommended nut tightening torque: 20N.m
 Maximum input torque: 8N.m

Accessories

Electronic lock

Handle lock

Cylinder lock

Plane lock

Rod control lock

Panel lock

Toggle and hook

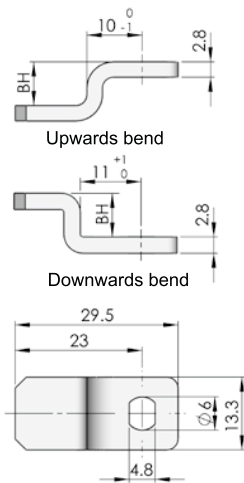
Handles

Door stop

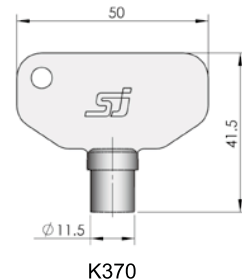
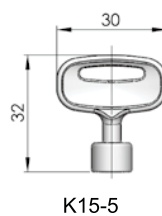
Hinge

Seal gasket

Cam(Optional)



key(Optional)



Remark: Please refer to cam list on P009

Specification	Model	ERP	Optional key
Handle	MS816-3S-1	MS816Z2A000028	
6mm Square	MS816-3S-2	MS816Z2AT05001	K15-5A
Abnormal	MS816-3S-3	MS816Z1AT21002	K370
Slot	MS816-3S-4	MS816Z1AT18006	

Remark: Default cam S1G23N08 (Cutout Ø6x4.7)

Accessories
Electronic lock
Handle lock
Cylinder lock
Plane lock
Rod control lock
Panel lock
Toggle and hook
Handles
Door stop
Hinge
Seal gasket

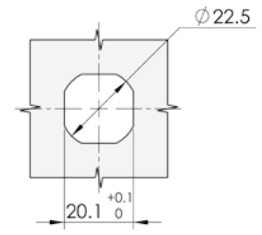
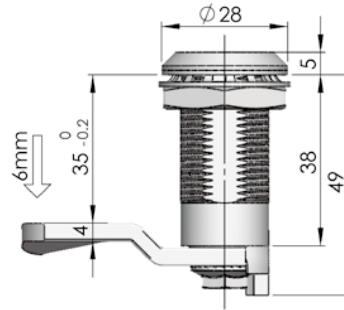
MS816-4B



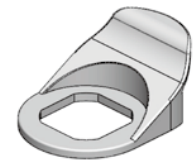
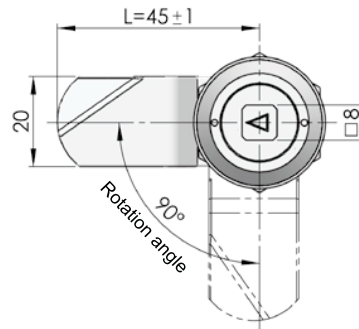
Main material and finish : Stainless steel housing,insert and cam, white zinc-plated steel shaft
Application : Quarter-turn opening or closing, with function of locking
Remark : Optional key K15 series

Default cam : S1M44N06001

Performance parameter:
Maximum static load: 590N
Recommended nut tightening torque: 30N.m
Maximum input torque: 11N.m



Cut out



HP001 Handle pull (Optional)



WP002 Water-proof cap (Optional)

ERP MS816S00T07009

Remark: Default cam S1M44N06 (cut out Ø10x8)

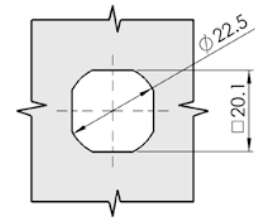
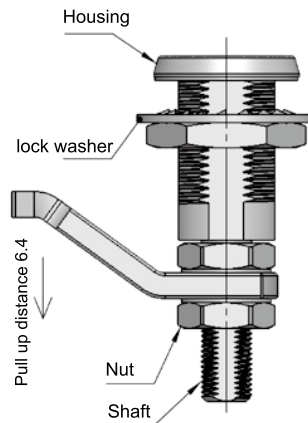
MS816-4D-4



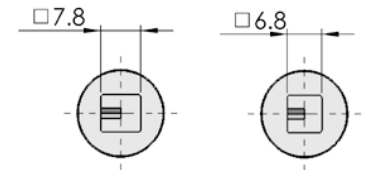
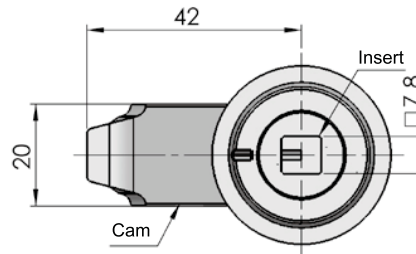
Main material and finish : Chrome-plated ZDC housing, insert, white zinc-plated steel shaft, stainless steel gear ring, cam and nut

Application: Lock insert aligns with the indicator mark on housing when in lock position;
Lock insert twists 195° anti-clockwise when opening;
120° turn causes shaft to pull of 6.4mm,
Then 75° turn causes cam to rotate to achieve lock opening.

Performance parameter:
Maximum static load: 300N
Recommended nut tightening torque: 20N.m
Maximum input torque: 11N.m



Cut out



Square 8mm MS816-4D-4

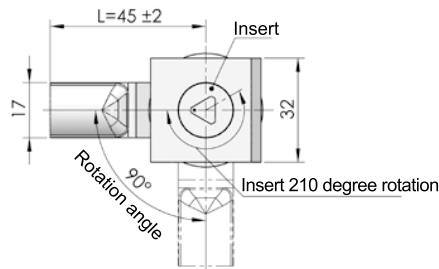
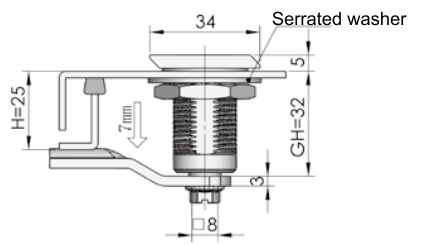
Square 7mm MS816-4D-5

Model MS816-4D-4

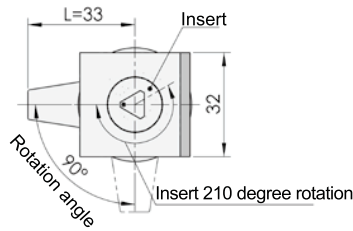
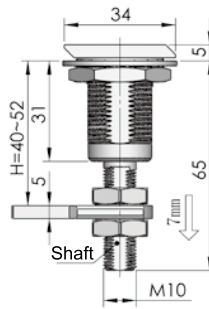
MS816-4D-5

ERP MS816Z3AT07015

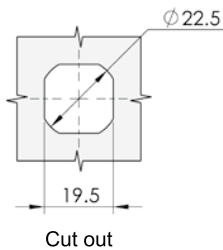
MS816Z3AT06004



Unadjustable type



Adjustable type



Cut out

- Triangular 8mm
- Square 7mm
- Hooked 4mm
- Square 9mm
- Socket Hexagon Female 8mm
- Slot
- Hexagon male 10mm
- Triangular 7mm
- Square 8mm

Remarks: Lock insert pic refers to diagram P058

Specification	Unadjustable		Adjustable		Optional key	
	Model	ERP	Model	ERP		
8mm Triangle	MS817-1	MS817Z2AT04001	MS817-1A	MS817Z2AT04007	K15-3	K15-3F
S Hook	MS817-2	MS817Z2AT03001	MS817-2A	MS817Z2AT03002	K15-1	
8mm Socket hexagon	MS817-3	MS817Z2AT24001	MS817-3A	MS817Z2AT24002		
10mm Hexagon	MS817-4	MS817Z2AT25003	MS817-4A	MS817Z2AT25002	K15-9	K15-9F
8mm Square	MS817-5	MS817Z2AT07001	MS817-5A	MS817Z2BT07002	K15-4	K15-4F
7mm Square	MS817-6	MS817Z2AT06001	MS817-6A	MS817Z2AT06003	K15-6	K15-6F
9mm Square	MS817-8	MS817Z2AT26001	MS817-8A	MS817Z2AT26002		
Slot	MS817-9	MS817Z2AT10001	MS817-9A	MS817Z2AT10002		
7mm Triangle	MS817-10	MS817Z2AT14001	MS817-10A	MS817Z2AT14002	K15-3	K15-3F
Abnormal	MS817-12	MS817Z2AT21001	MS817-12A	MS817Z2AT21002	K31	

MS817



Main material and finish: Black powder coated ZDC housing and insert, white zinc plated steel cam

Application: Cam Quarter-turn to open or close, with function of locking

Remark: Optional key K15

Default cam : S1B45N07001(Unadjustable)
S1M33Y00002(Adjustable Ts=5)

Performance parameter:

Maximum static load: 190N

Recommended nut tightening torque: 20N.m

Maximum input torque: 6N.m

Accessories

Electronic lock

Handle lock

Cylinder lock

Plane lock

Rod control lock

Panel lock

Toggle and hook

Handles

Door stop

Hinge

Seal gasket

- Accessories
- Electronic lock
- Handle lock
- Cylinder lock**
- Plane lock
- Rod control lock
- Panel lock
- Toggle and hook
- Handles
- Door stop
- Hinge
- Seal gasket

MS823-1



MS823-1A

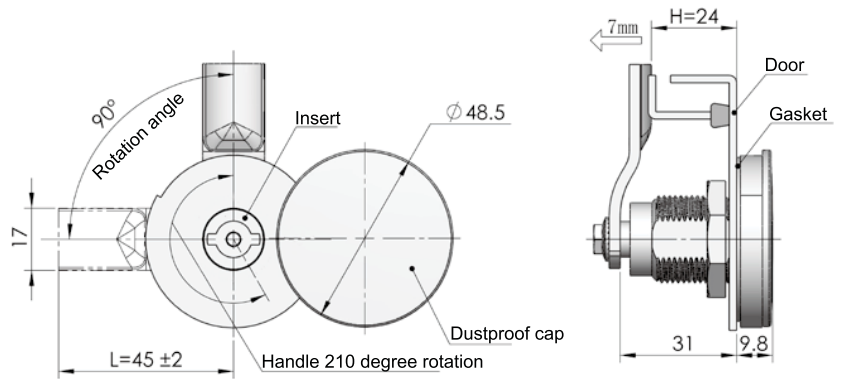


Main material and finish: Bright chrome-plated ZDC housing and insert, white zinc plated steel cam

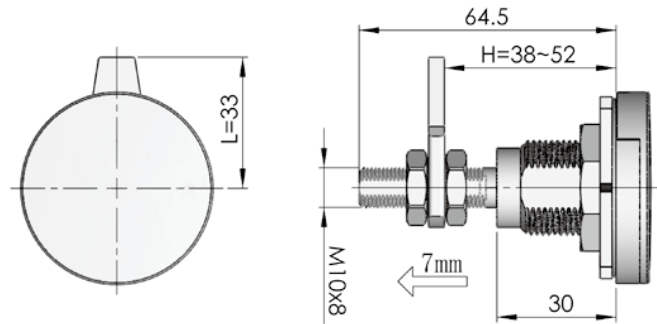
Application: Cam quarter-turn to open or lock, with function of locking
 Remark: Optional key K15

Default cam: S1B45N070016(Unadjustable)
 S1M33Y00002(Adjustable Ts=5)

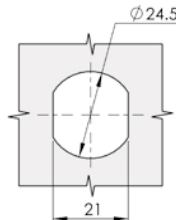
Performance parameter:
 Maximum static load: 100N
 Recommended nut tightening torque: 20N.m
 Maximum input torque: 12N.m



Unadjustable

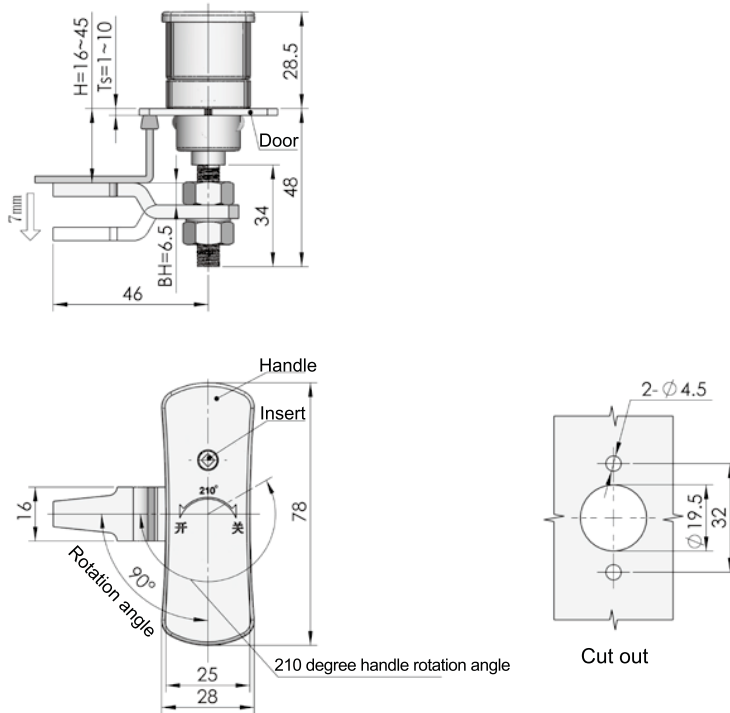


Adjustable



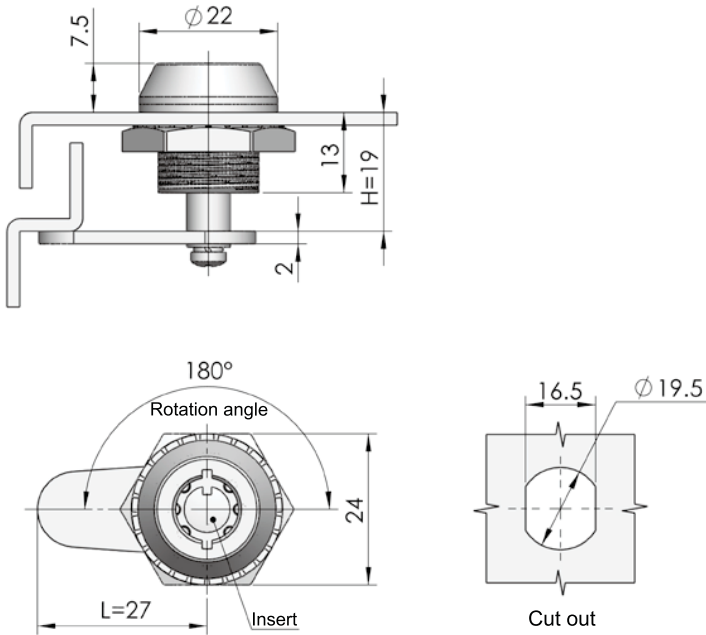
Cut out

Specification	Unadjustable		Adjustable		Optional key
	Model	ERP	Model	ERP	
8mm Triangle	MS823-1	MS823Z3AT04001	MS823-1A	MS823Z3AT04004	K15-3 K15-3F
S Hook	MS823-2	MS823Z3AT03007	MS823-2A	MS823Z3AT03014	K15-1
8mm Socket hexagon	MS823-3	MS823Z3AT24001	MS823-3A	MS823Z3AT24002	
10mm Hexagon	MS823-4	MS823Z3AT25001	MS823-4A	MS823Z3AT25002	K15-9 K15-9F
8mm Square	MS823-5	MS823Z3AT07001	MS823-5A	MS823Z3AT07002	K15-4 K15-4F
7mm Square	MS823-6	MS823Z3AT06001	MS823-6A	MS823Z3AT06002	K15-6 K15-6F
9mm Square	MS823-8	MS823Z3AT26001	MS823-8A	MS823Z3AT26002	
Slot	MS823-9	MS823Z3AT10001	MS823-9A	MS823Z3AT10002	
7mm Triangle	MS823-10	MS823Z3AT14001	MS823-10A	MS823Z3AT14002	K15-3 K15-3F
Abnormal	MS823-12	MS823Z3AT14001	MS823-12A	MS823Z3AT21002	K31



ERP MS822Z1A000001

Remark : ERP excludes cam (cut out Ø8x6.5)



ERP MS824Z3A000001

Remark : Default cam S1V2700

MS822



Main material and finish : Black powder coated ZDC housing and handle, white zinc-plated steel cam ,insert and shaft
 Application : Quarter-turn opening or closing, adjustable, with function of locking

Default cam : S1K46Y07001

Performance parameter:
 Maximum static load: 140N

MS824



Main material and finish: Bright chrome-plated ZDC housing, insert and white zinc-plated steel cam
 Application: 180 degree rotation opening or closing

Default cam : S1V27Y00001

Performance parameter:
 Maximum static load: 70N
 Recommended nut tightening torque: 20N.m
 Maximum input torque: 5N.m

- Accessories
- Electronic lock
- Handle lock
- Cylinder lock
- Plane lock
- Rod control lock
- Panel lock
- Toggle and hook
- Handles
- Door stop
- Hinge
- Seal gasket

Accessories

Electronic lock

Handle lock

Cylinder lock

Plane lock

Rod control lock

Panel lock

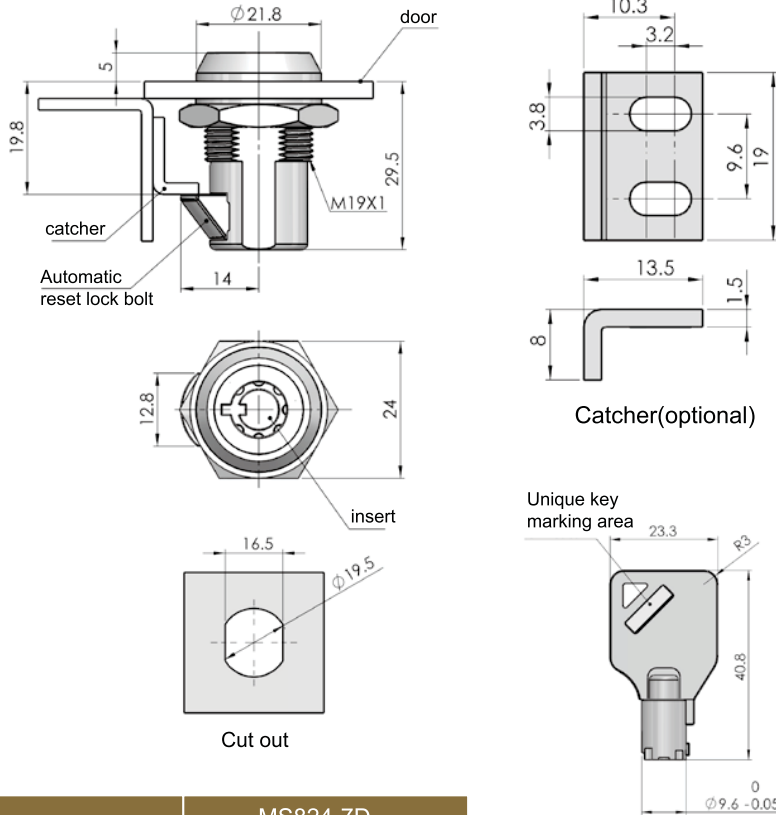
Toggle and hook

Handles

Door stop

Hinge

Seal gasket



	MS824-7D
ERP	MS826Z3A000008

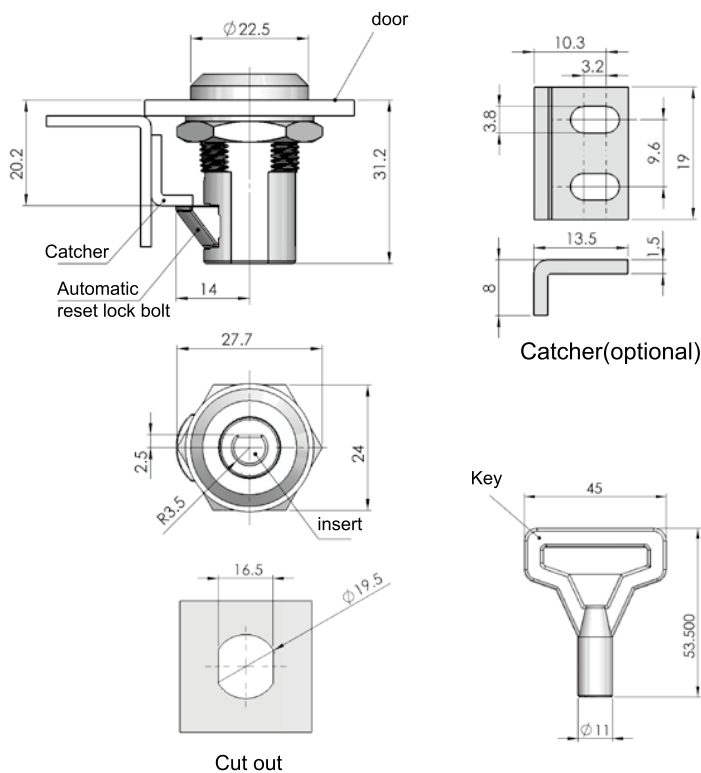
MS826-7D



IP 55

Main material and finish: bright chrome-plated housing and insert, white zinc plated insert and lock tongue
 Application: Key alike and key different available, resilient automatically lock

Performance Parameter
 Maximum static load: 340 N



	with key	without key
ERP	MS826Z3A000005	MS826Z3A000006

MS826-8D



IP 55

Main material and finish: bright chrome+varnish brush ZDC housing and insert, white zinc-plated ZDC lock tongue, 120 hours salt spray test
 Application: resilient automatically lock

Performance Parameter
 Maximum static load: 340 N

- Accessories
- Electronic lock
- Handle lock
- Cylinder lock**
- Plane lock
- Rod control lock
- Panel lock
- Toggle and hook
- Handles
- Door stop
- Hinge
- Seal gasket

MS844

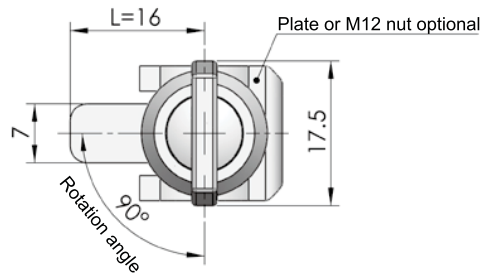
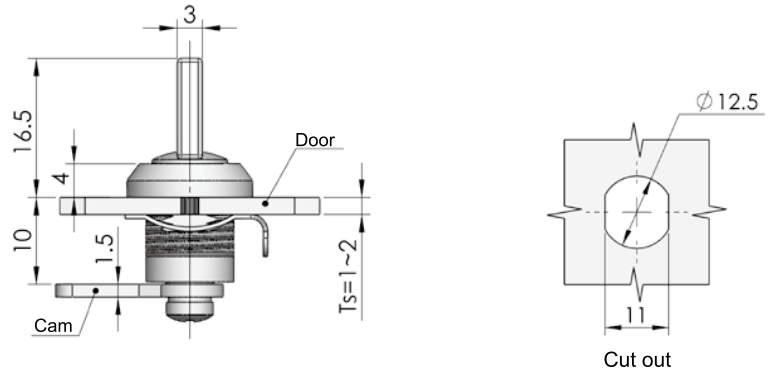


Main material and finish : Bright chrome-plated ZDC housing and handle, white zinc-plated steel cam

Application : Quarter-turn opening or closing

Default cam : S1W16Y00001

Performance parameter:
Maximum static load: 180N



Specification	Model	ERP
Plate	MS844-1	MS844Z3A000001
Nut	MS844-2	MS844Z3A000002

Remark : Default cam S1W1600 (Cutout \varnothing 6x3.6)

MS845-1



MS845-3

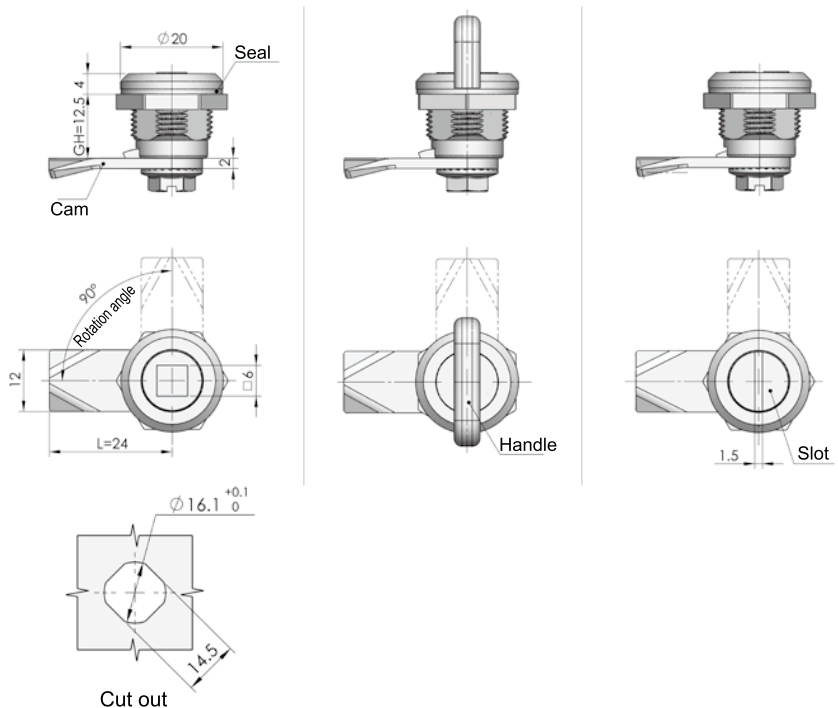


Main material and finish : Black powder coated ZDC housing and insert, white zinc-plated steel cam

Application : Quarter-turn opening or closing

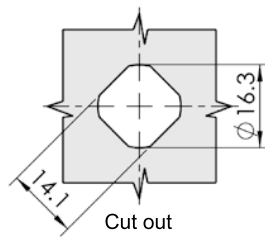
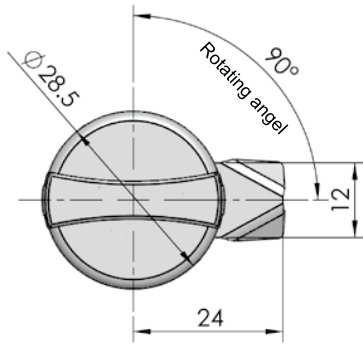
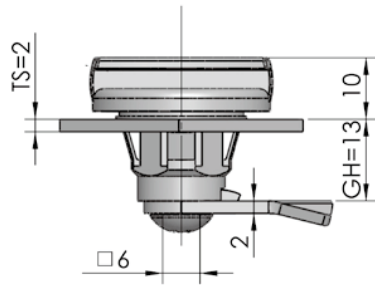
Default cam : S1V24Y00001

Performance parameter:
Maximum static load: 220N



Specification	Model	ERP
Square 6mm	MS845-1	MS845Z3AT05001
Slot	MS845-2	MS845Z1AT10007
Handle	MS845-3	MS845Z1A000013

Remark : Default cam S1V2400 (cut out 6x6)



ERP

MS845N00000001

Remark: Default cam S1V2400

MS845-5



RL

Main material and finish: ZDC housing and black PA handle, white zinc plated steel cam.

Remark: Fast-installed housing, cam DS1V serial optional

Default cam :S1V24Y00001

Performance parameter:
Maximum static load: 220N

Accessories

Electronic lock

Handle lock

Cylinder lock

Plane lock

Rod control lock

Panel lock

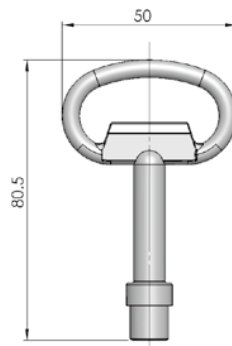
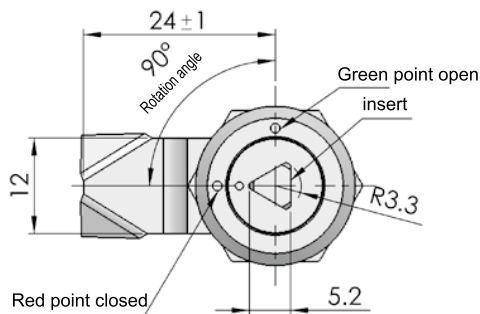
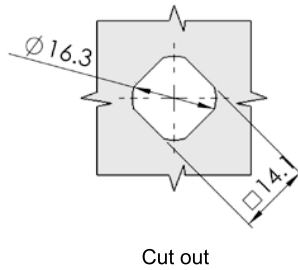
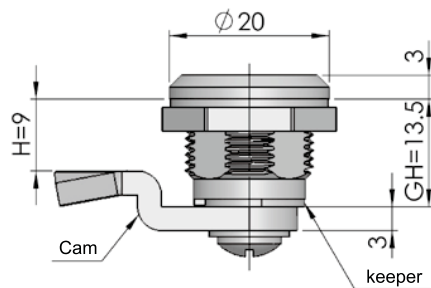
Toggle and hook

Handles

Door stop

Hinge

Seal gasket



ERP

MS845S00T30001

MS845-7B



Main material and finish: stainless steel housing, insert, keeper and cam
Application: 90 degree rotation, positioned by keeper

Performance Parameter
Maximum static load: 270 N